

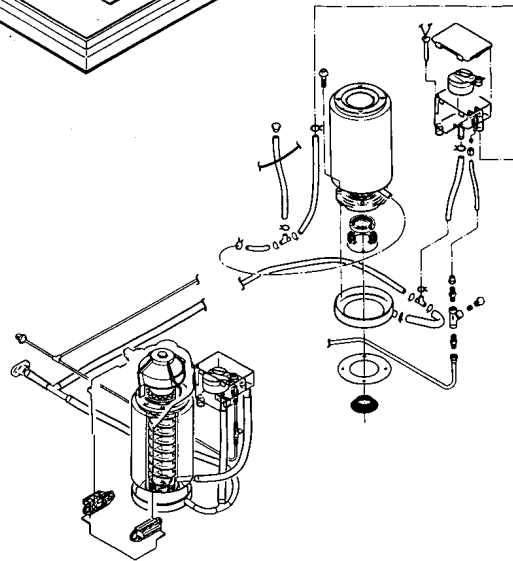
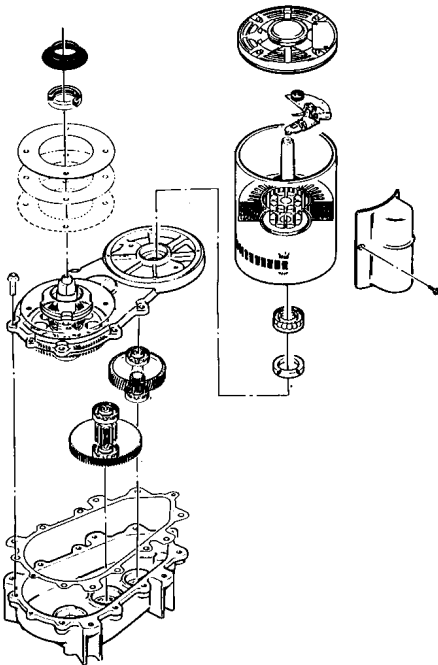
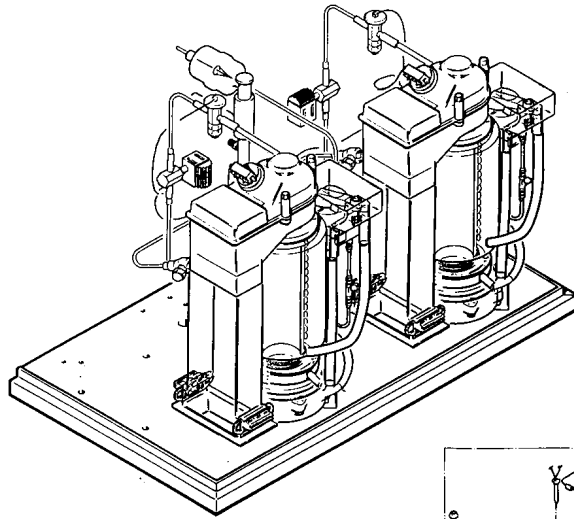
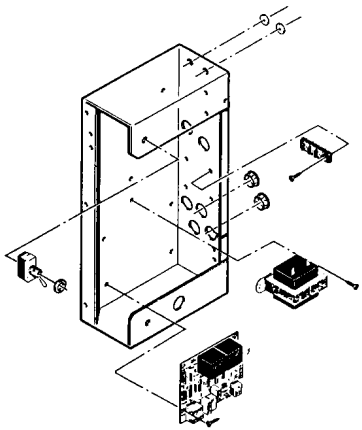
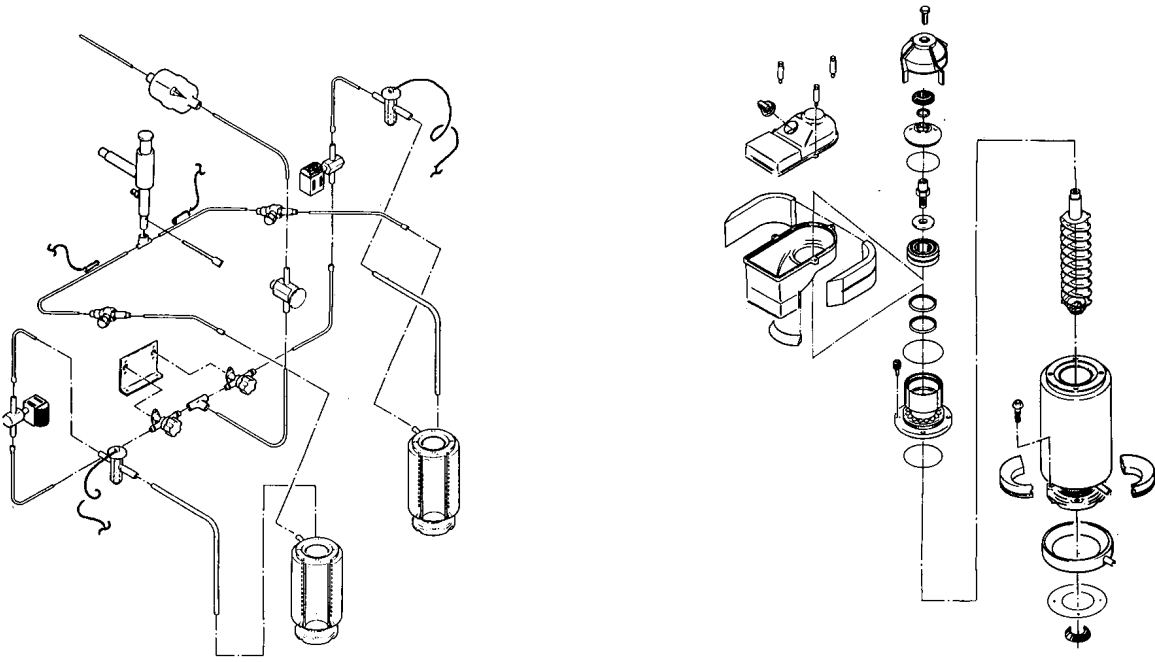
NM1852RH SERVICE PARTS

This parts list contains the service parts and wiring diagrams for this model. Check the model number of the machine requiring the parts to be sure that this is the correct parts list.

TABLE OF CONTENTS

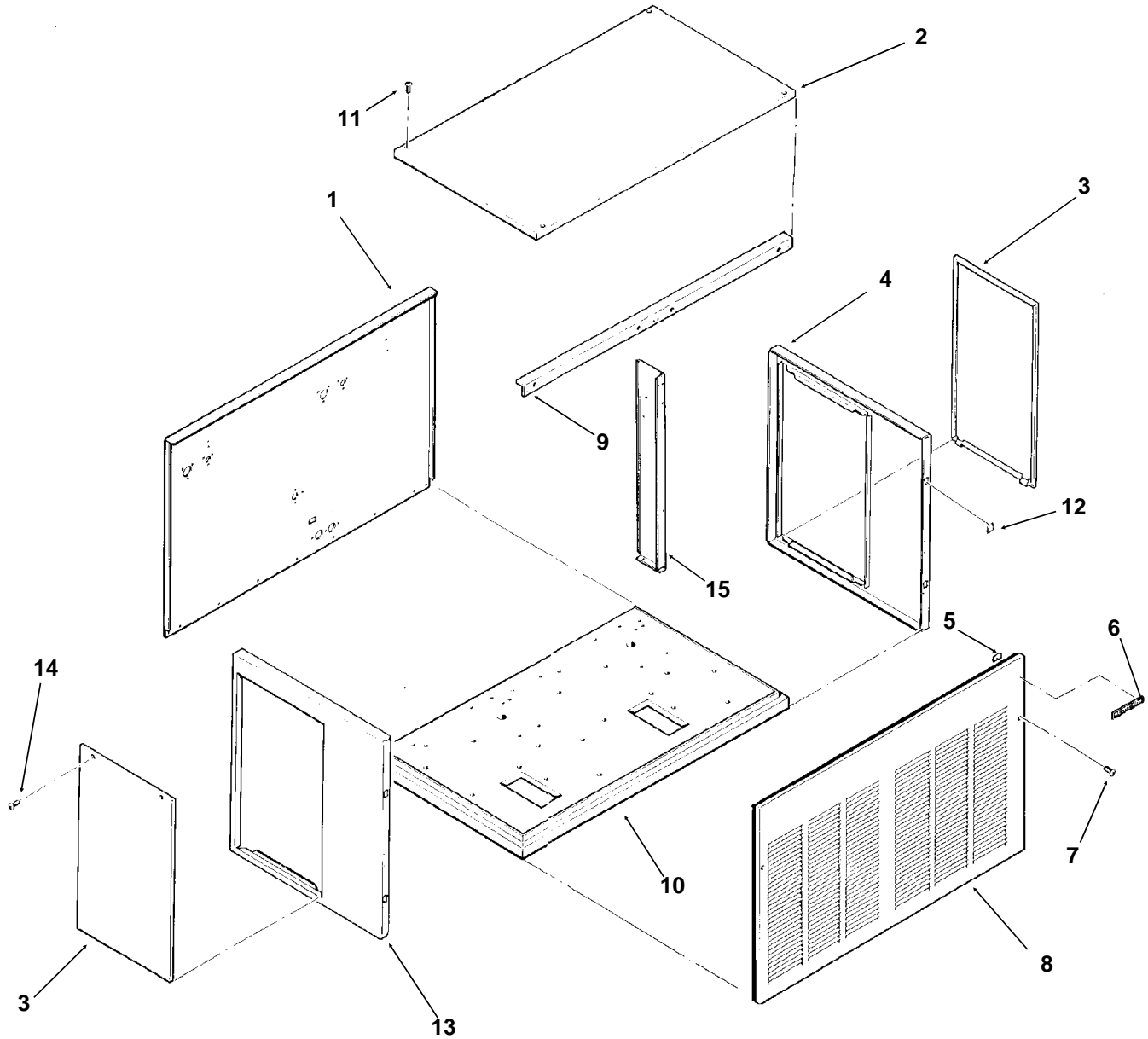
Cabinet Assembly	Page 2
Water System	Page 3
Refrigeration System	Page 4
Evaporator	Page 5
Gearmotor	Page 6
Control Box	Page 7
Wiring Diagrams	Page 8

NM1852RH SERVICE PARTS



NM1852RH SERVICE PARTS

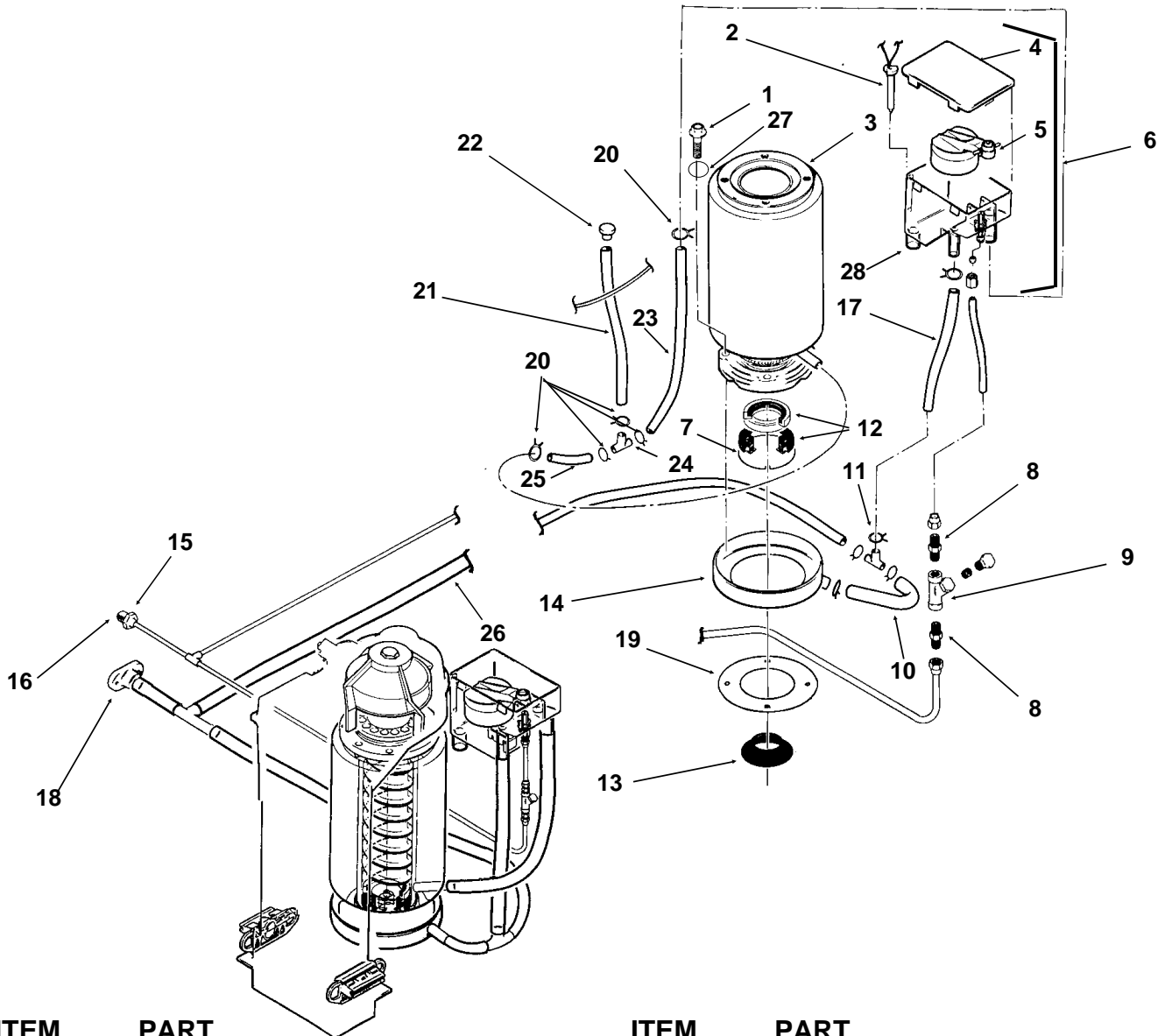
Cabinet



ITEM NUMBER	PART NUMBER	DESCRIPTION	ITEM NUMBER	PART NUMBER	DESCRIPTION
1	A34283-001	Back Panel, Painted	9	A34287-001	Support
2	A32461-001	Top Panel, Painted	10	A34282-001	Base
	A32461-002	Top Panel, S.S.	11	03-1531-01	Screw
3	A34038-001	Service Panel, Painted	12	02-0836-00	Catch
	A34038-002	Service Panel, S.S.	13	A32435-001	Left Side Panel, Painted
4	A33292-001	Right Side Panel, Painted		A32435-002	Left Side Panel, S.S.
	A33292-002	Right Side Panel, S.S.	14	03-1404-12	Screw
5	03-0271-00	Speed Clip	15.	A34286-001	Center Support
6	15-0711-01	Emblem			
7	03-1419-08	Screw			
8	A34294-001	Front Panel, Painted			
	A34294-002	Front Panel, S.S.			

NM1852RH SERVICE PARTS

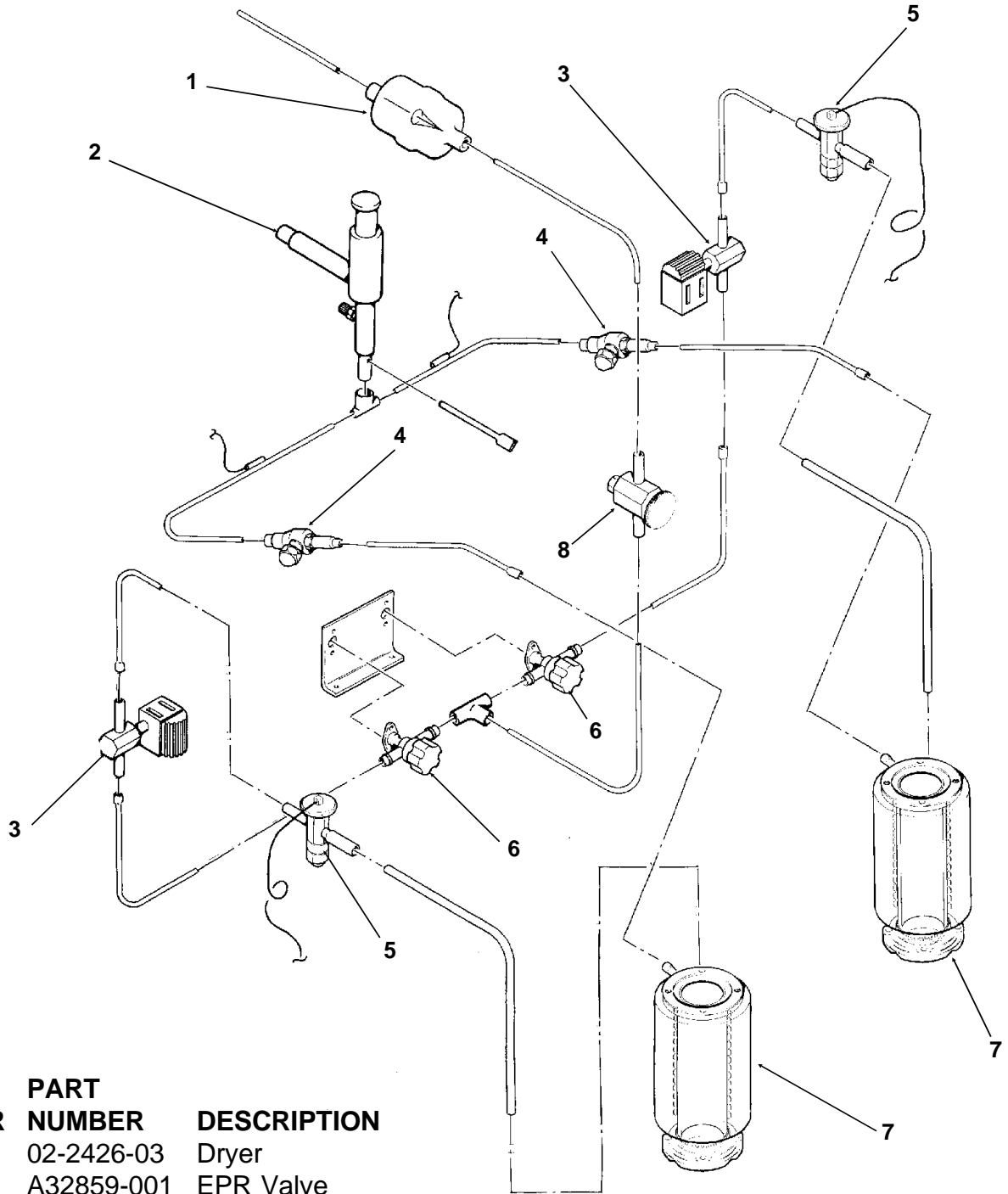
Water System



ITEM NUMBER	PART NUMBER	DESCRIPTION	ITEM NUMBER	PART NUMBER	DESCRIPTION
1	03-1420-03	Cap Screw	15	A27318-001	Water Inlet Fitting
2	A33101-022	Water Level Sensor	16	03-1394-01	Pal Nut
3	A32890-020	Evaporator	17	13-0079-03	Res. Overflow, 8" req.
4	02-2936-01	Res. Cover	18	A32282-004	Drain Casting
5	A32922-020	Float Assembly with pin, housing seal, rubber seal, insert & float	19	13-0704-00	Gasket
	A32918-001	Valve seat	20	02-2814-08	Clamps
6	A32929-020	Reservoir Assembly	21	13-0674-06	Evap. Drain, 14" req.
7	A32777-021	Retaining Ring for Seal	22	A33205-001	Plug
8	16-0791-01	Half Union	23	13-0674-06	Evap. Inlet Tube, 5" req.
9	16-0162-00	Strainer	24	16-0670-01	Tee
10	13-0079-03	Tube, 6.5" req.	25	A33203-001	Tube, Preformed
11	16-0670-02	Tee	26	13-0079-03	Drain Tube, 24" req.
12	02-0929-02	Water Seal	27.	03-1417-13	Lockwasher
			28	13-0230-00	Rubber cap

NM1852RH SERVICE PARTS

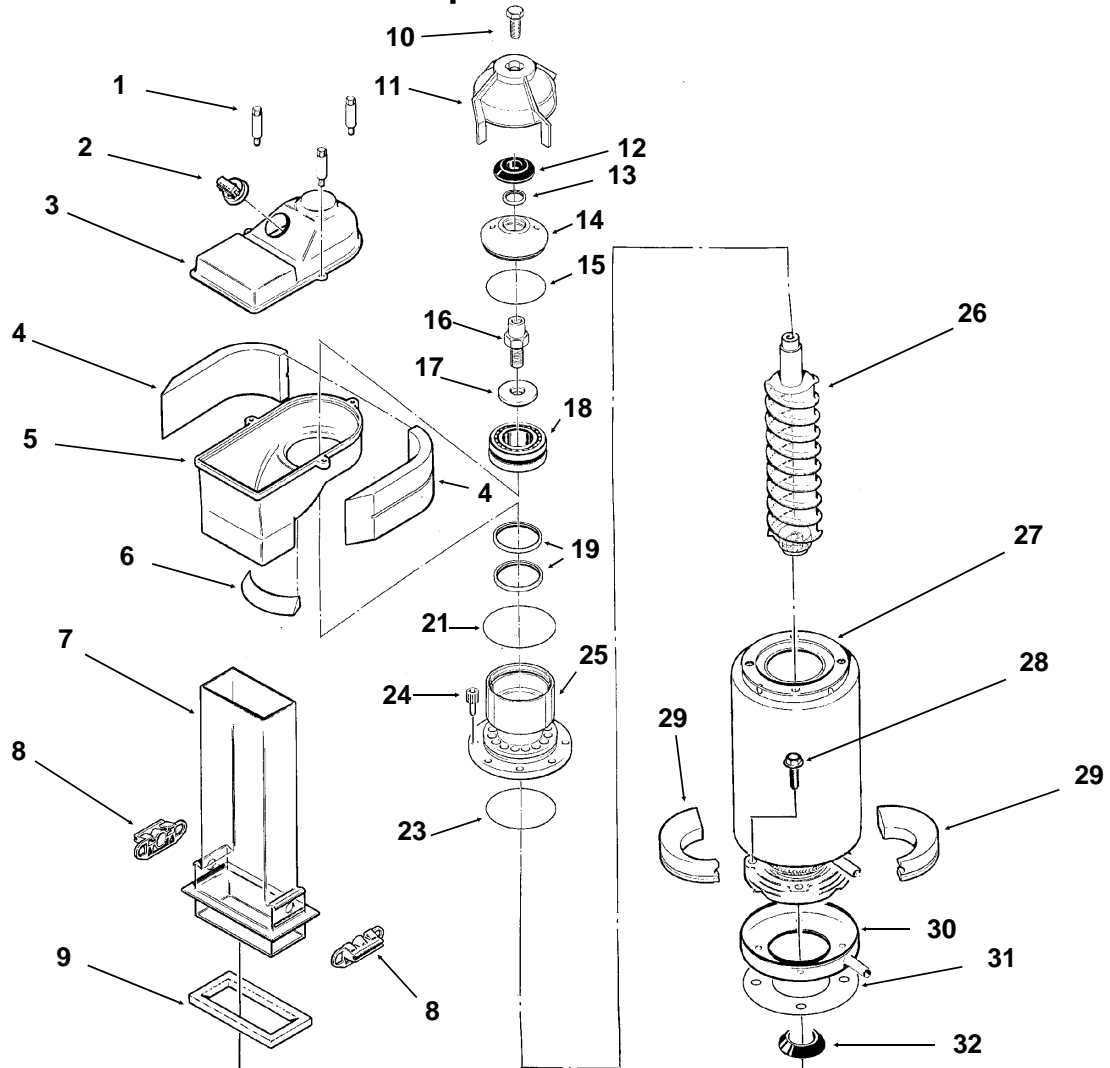
Refrigeration System



ITEM NUMBER	PART NUMBER	DESCRIPTION
1	02-2426-03	Dryer
2	A32859-001	EPR Valve
3	12-2257-01	Solenoid Valve
4	A32855-001	Ball Valve
5	16-0825-01	Thermostatic Expansion Valve
6	A32858-001	Shut Off Valve
7	A32890-020	Evaporator
8	16-0672-02	Sight Glass

NM1852RH SERVICE PARTS

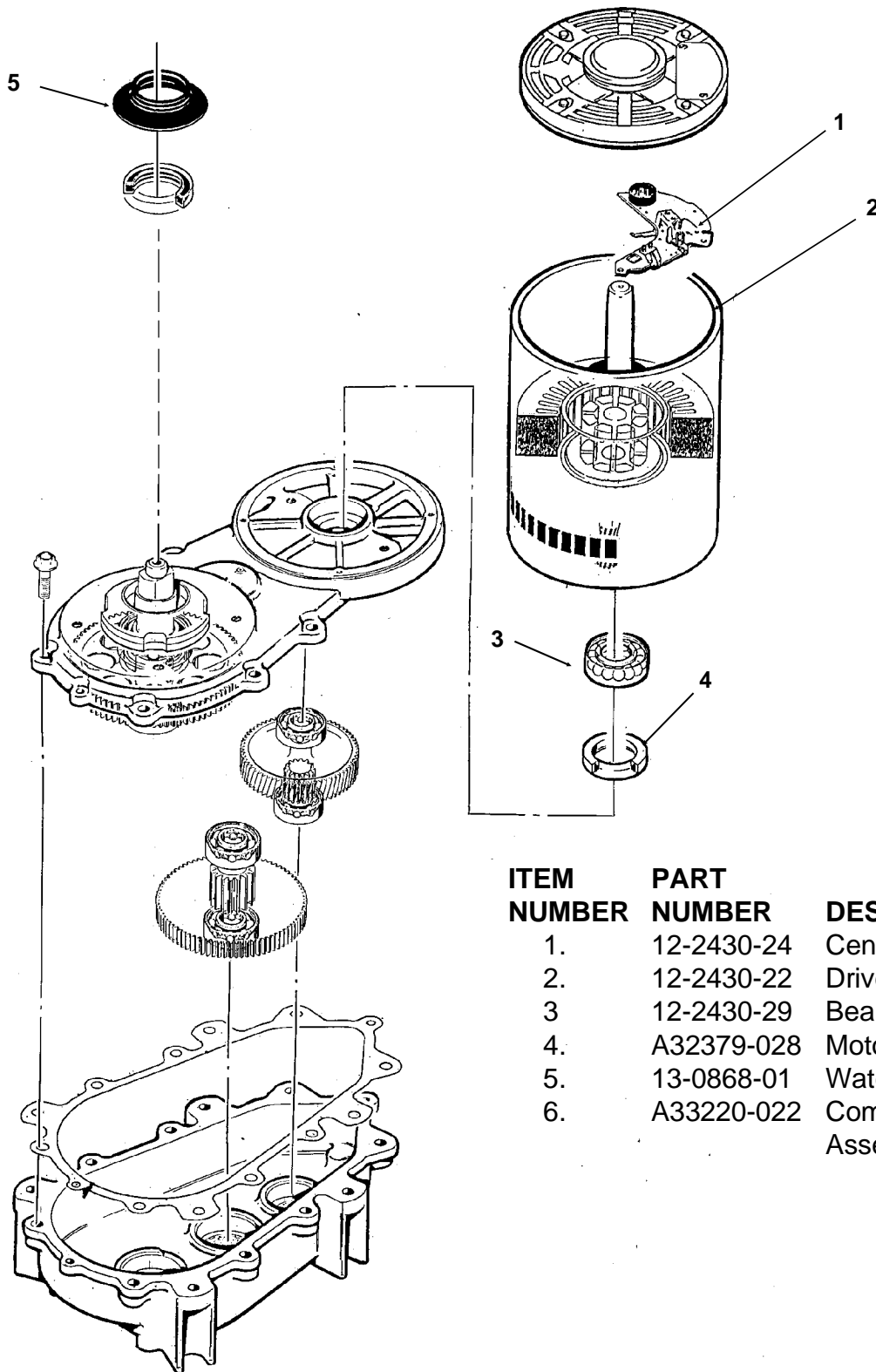
Evaporator



ITEM NUMBER	PART NUMBER	DESCRIPTION
1.	02-2933-01	Hex Stud
2.	A32891-001	Switch and Housing
	12-2398-01	Switch
	13-0617-53	O-ring
3.	02-2930-01	Ice Chute Cover
4.	A32963-001	Insulation Top (half)
5.	02-2926-01	Ice Chute Body
6.	A33102-001	Insulation Collar Inside
	A35419-020	Strap Kit
7.	02-2929-01	Ice Chute Lower
8.	A33117-020	Bin Controls Assy. (set of 2)
9.	A32930-001	Chute Gasket
10.	03-1405-52	Hex Cap Screw
11.	02-3001-01	Ice Sweep
12.	13-0871-01	Water Shed
13.	02-2978-01	Lip Seal
	16.	08-0653-01 Auger Stud
	17.	08-0654-01 Thrust Washer
	18.	A34559-020 Bearing
	19.	02-2977-01 Lip Seal
	20.	no number
	21.	13-0617-54 O-Ring
	22.	no number
	23.	13-0617-45 O-Ring
	24.	03-1544-08 Soc. Head Screw
	25.	A32900-020 Breaker (includes 18 & 19)
	26.	02-3003-01 Auger
	27.	A32890-020 Evaporator
	28.	03-1420-03 Cap Screw
	29.	A32962-001 Insulation Bot. (half)
	30.	A32050-001 Drip Pan
	31.	13-0704-00 Drip Pan Gasket
	32.	13-0868-01 Water Shed

NM1852RH SERVICE PARTS

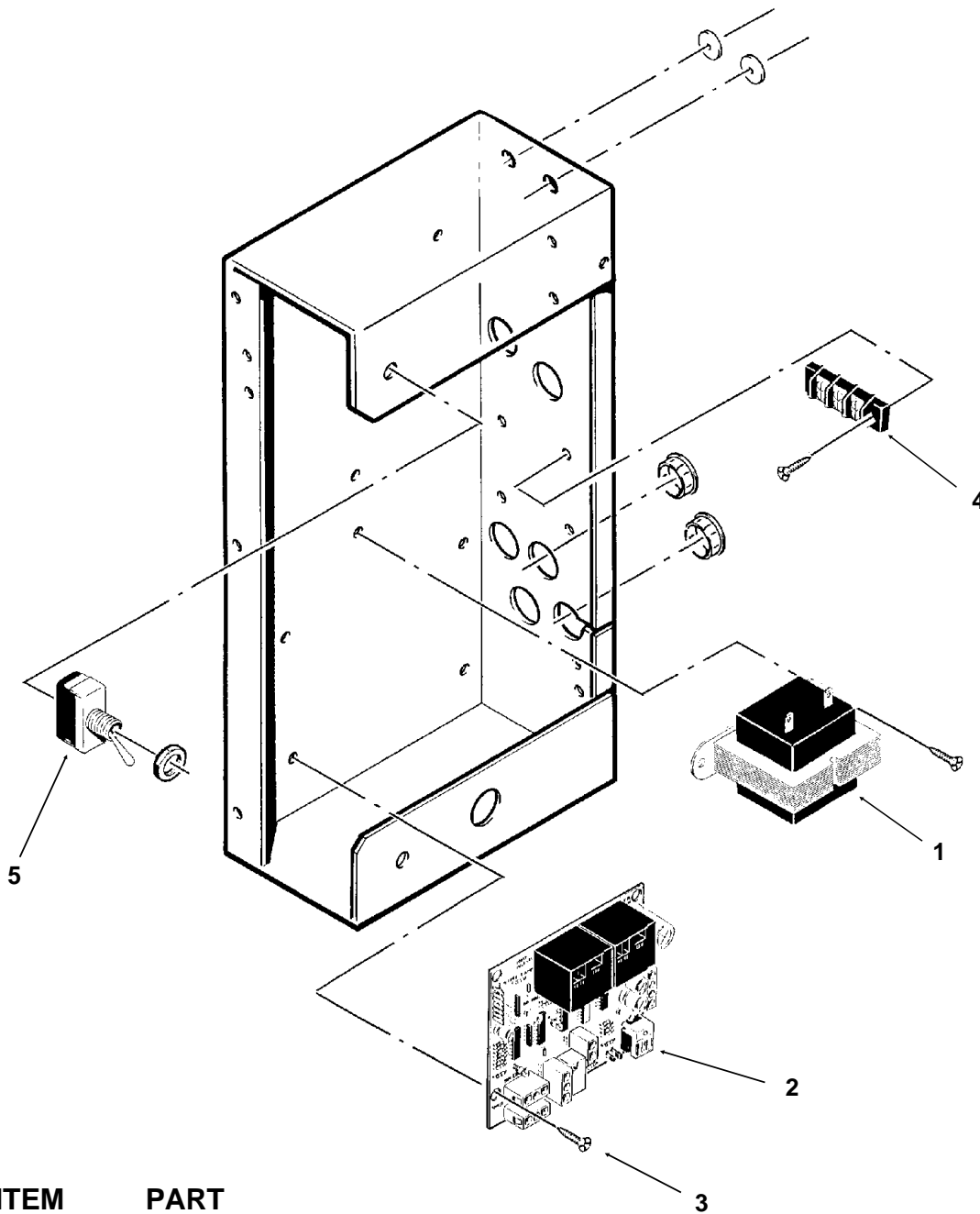
Gearmotor



ITEM NUMBER	PART NUMBER	DESCRIPTION
1.	12-2430-24	Centrifugal Switch
2.	12-2430-22	Drive Motor 208-230 v
3.	12-2430-29	Bearing
4.	A32379-028	Motor shaft seal
5.	13-0868-01	Water Shed.
6.	A33220-022	Complete Gearmotor Assembly. 208-230 v.

NM1852RH SERVICE PARTS

Control Box



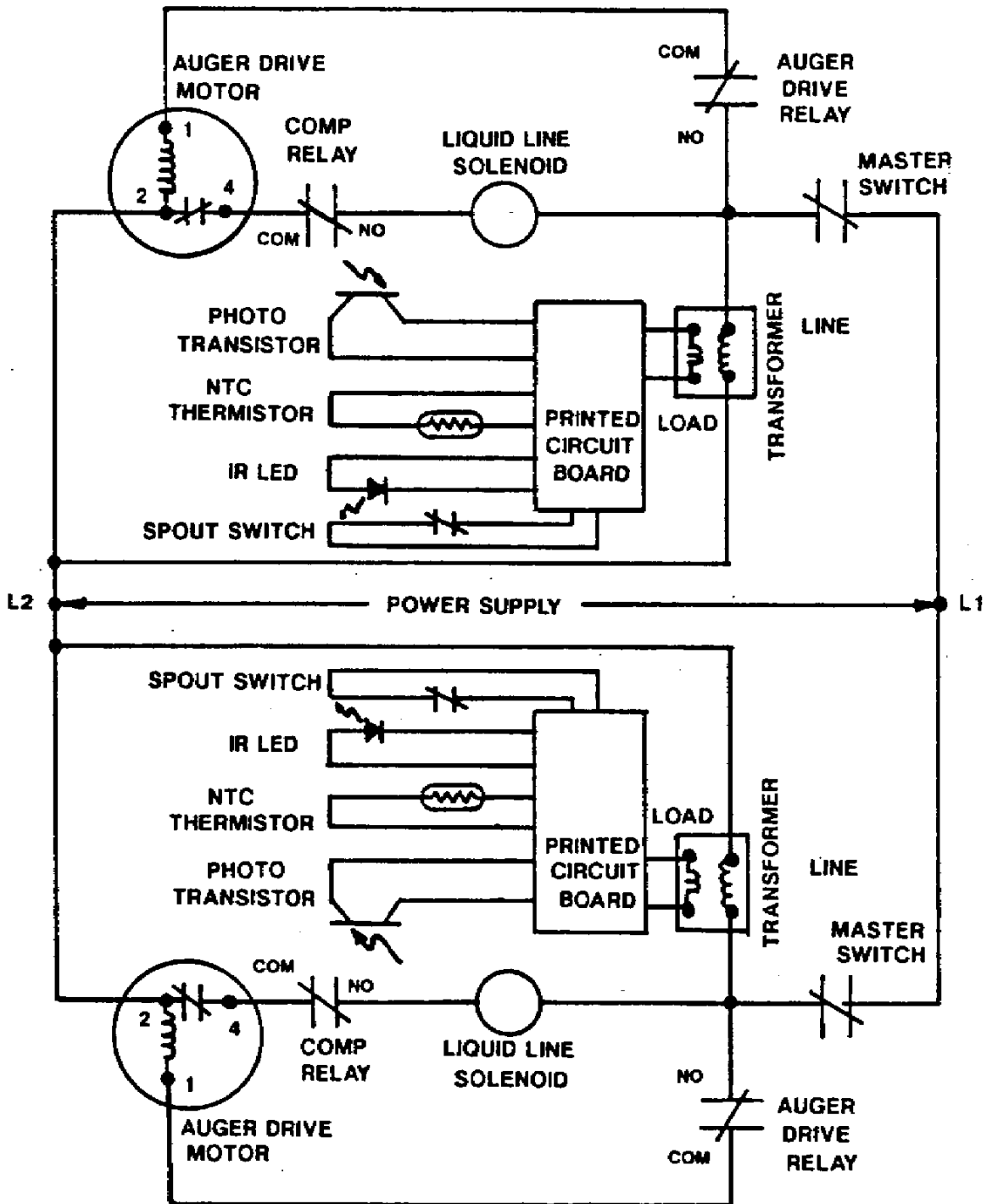
ITEM NUMBER	PART NUMBER	DESCRIPTION
1	12-2285-22	Transformer
2	A37750-021	Circuit Board
3	12-2350-01	Stand off
4	12-0813-04	Terminal Strip
5	12-0426-01	Master Switch

Not Illustrated:

6	12-2337-03	Wire Harness to spout switch
7	12-2340-01	Wire harness to transformer
8	A34055-001	Control Box Cover

NM1852RH SERVICE PARTS

Schematic Diagram



USE COPPER CONDUCTORS ONLY

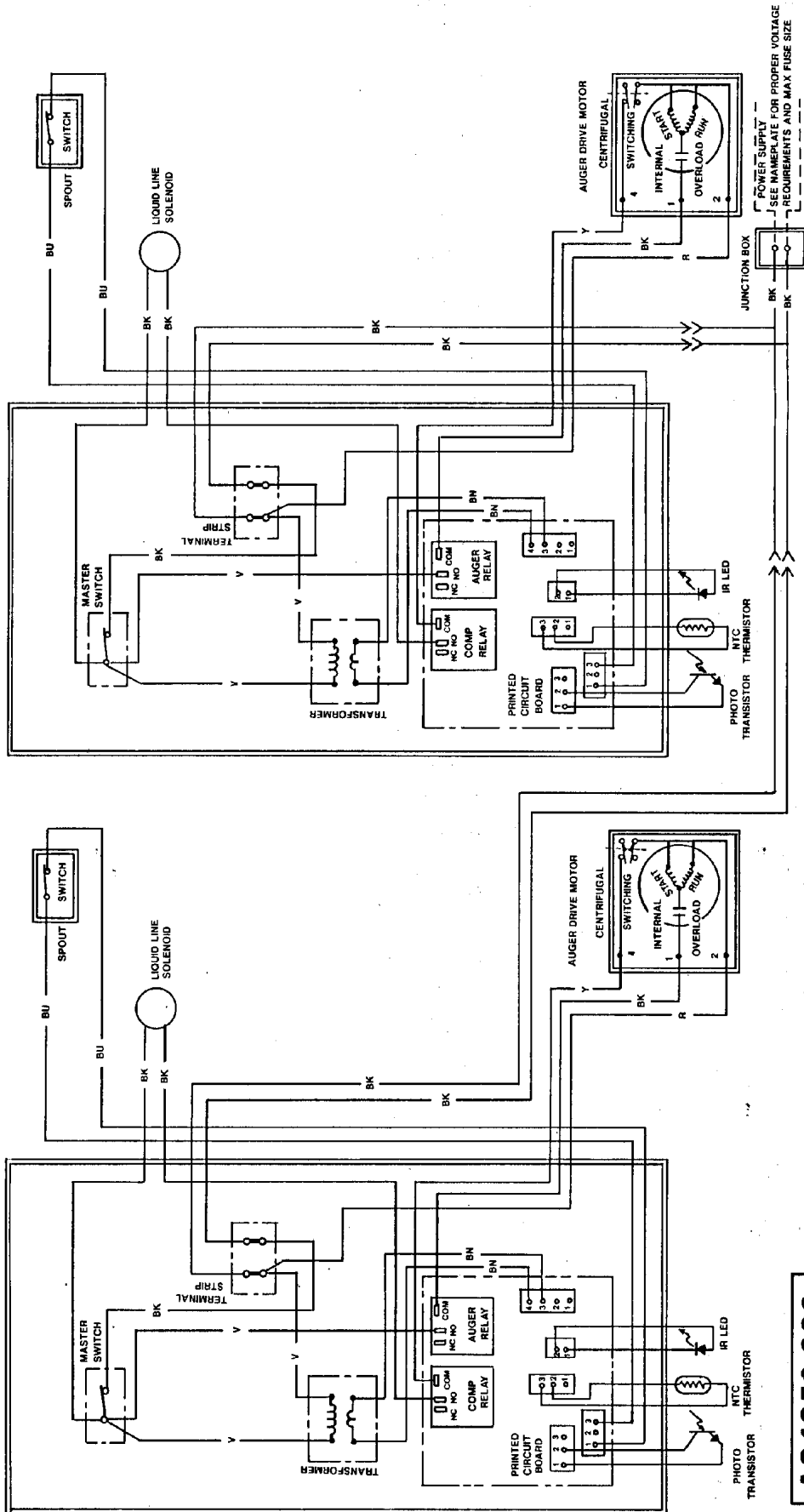
NOTE: DASHED LINES INDICATE FIELD WIRING WHICH MUST BE INSTALLED IN ACCORDANCE WITH THE NATIONAL ELECTRICAL CODE USING A MINIMUM OF 14 GA. AWG WIRE

ALL CONTROLS SHOWN IN NORMAL ICE MAKING MODE

THIS UNIT MUST BE GROUNDED

NM1852RH SERVICE PARTS

Wiring Diagram



A34350-032