

# MF400 SERVICE PARTS

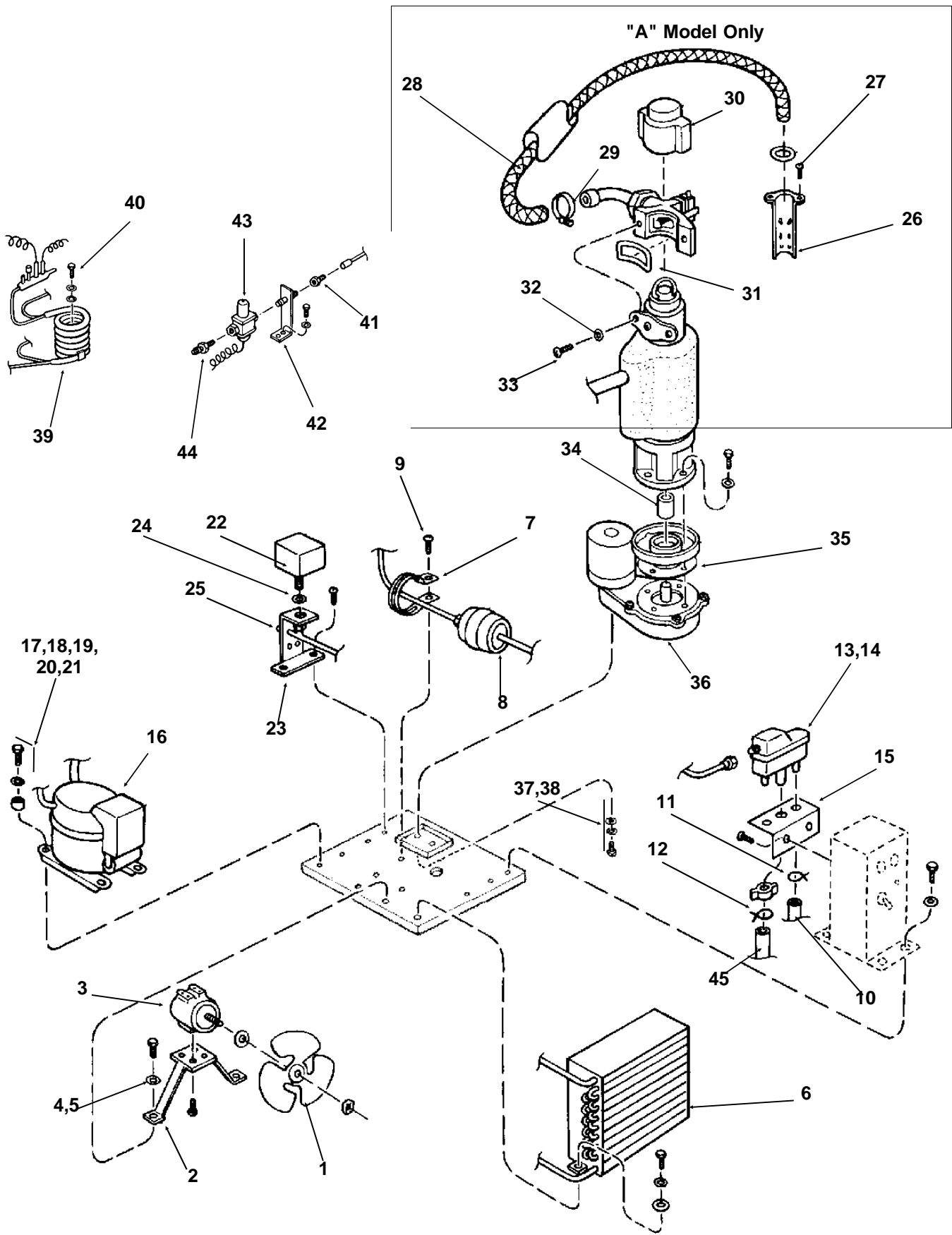
This is the parts list for all MF400 model units.

There are two very different models, the first was the MF400 "A" series, as in MF400AE-1**A**. This unit was produced from 1978 until early 1989. In the spring of 1989, the MF400 "B" (MF400AE-1**B**) series production began. The **complete** model number must be checked, especially when ordering evaporator and ice spout parts.

## Table Of Contents

|                           |            |
|---------------------------|------------|
| Major Assemblies .....    | Page 2-3   |
| Cabinet .....             | Page 4     |
| Compressor .....          | Page 5     |
| Spout .....               | Page 6     |
| Evaporator "B" Model..... | Page 7     |
| Evaporator "A" Model..... | Page 8     |
| Gearmotor.....            | Page 9     |
| Control Box.....          | Page 10    |
| Wiring Diagrams.....      | Page 11-14 |

# MF400 SERVICE PARTS

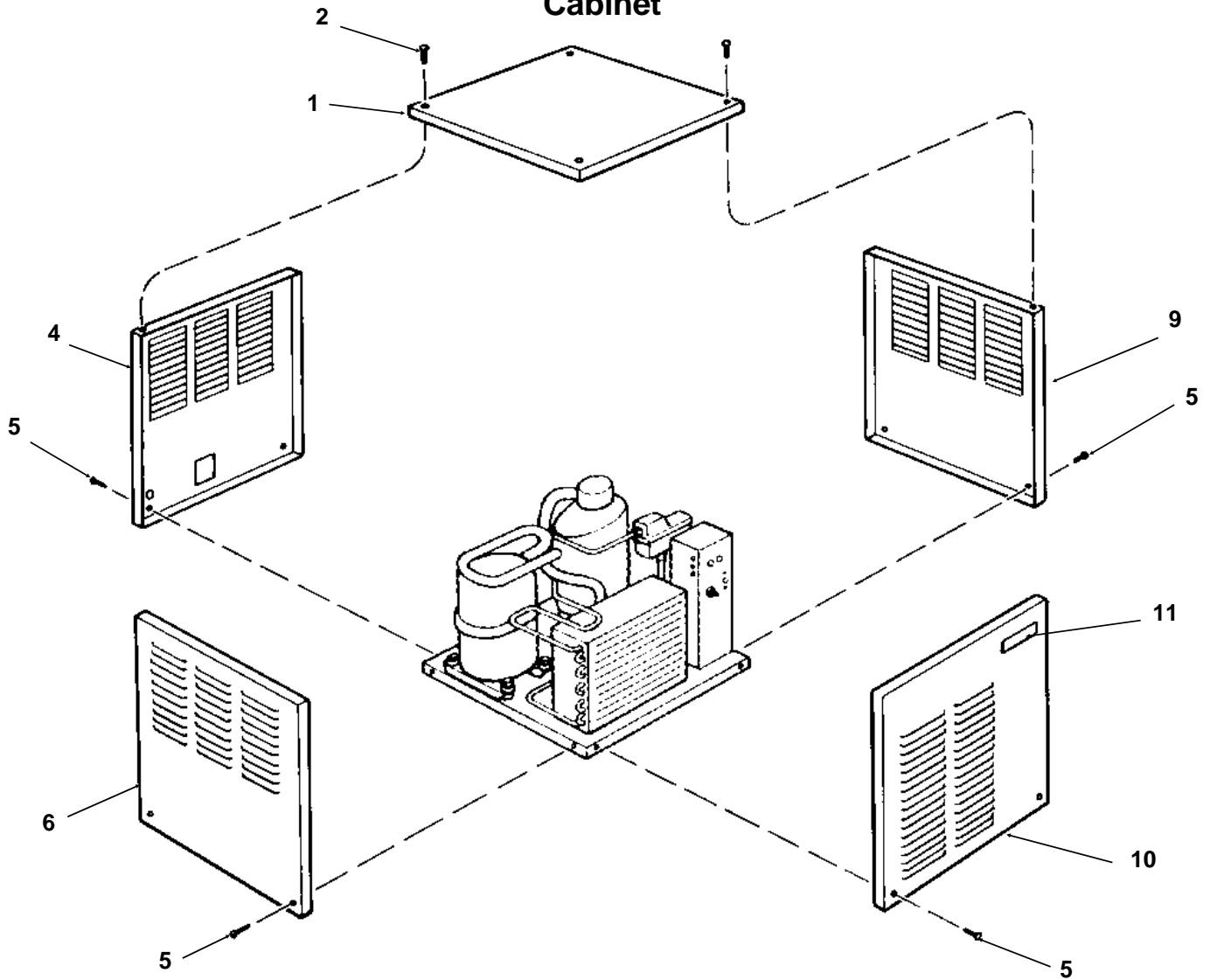


## MF400 SERVICE PARTS MAJOR ASSEMBLIES

| ITEM NUMBER | PART NUMBER | DESCRIPTION                            |
|-------------|-------------|--|
| 1.          | 18-3309-01  | Fan Blade                              |
| 2.          | 18-0422-00  | Fan Motor Bracket                      |
| 3.          | 12-1576-01  | Fan Motor                              |
| 4.          | 03-1417-09  | Lockwasher                             |
| 5.          | 03-0571-00  | Hex Head Screw                         |
| 6.          | 18-3717-01  | Air Cooled Condenser                   |
| 7.          | A09386-000  | Drier Brace                            |
| 8.          | 02-2426-01  | Drier                                  |
| 9.          | 03-1360-01  | Mounting Screw                         |
| 10.         | 13-0079-03  | Reservoir Overflow Tube, order per ft. |
| 11.         | 02-0535-01  | Hose Clamp                             |
| 12.         | 03-0694-00  | Hose Clamp                             |
| 13.         | 02-2217-01  | Reservoir, Includes Valve              |
| 14.         | 02-2217-02  | Valve Only, For Reservoir              |
| 15.         | A20959-000  | Mounting Bracket                       |
| 16.         | 18-4500-01  | Compressor                             |
| 17.         | 18-2200-28  | Grommet                                |
| 18.         | 18-2200-27  | Mounting Sleeve                        |
| 19.         | 03-1417-12  | Lockwasher                             |
| 20.         | 03-1408-29  | Special Washer                         |
| 21.         | 03-1405-40  | Mounting Screw                         |
| 22.         | 11-0296-00  | Low Water Pressure Control             |
| 23.         | A27993-001  | Utility Bracket                        |
| 24.         | 13-0617-26  | O-ring                                 |
| 25.         | 03-1394-00  | Pal Nut                                |
| 26.         | A30487-001  | Bin Thermo Bracket                     |
| 27.         | 13-0806-01  | Sealing Pad                            |
| 28.         | A26537-004  | Ice Tube                               |
| 29.         | 02-0179-02  | Hose Clamp                             |
| 30.         | 13-0815-01  | Freezer Cap                            |
| 31.         | 13-0679-00  | Spout Gasket                           |
| 32.         | 03-1417-07  | Washer                                 |
| 33.         | 03-1544-03  | Soc-hd Cap Screw                       |
| 34.         | A29915-002  | Coupling                               |
| 35.         | 13-0628-00  | Gasket                                 |
| 36.         | A31977-001  | Complete Gearmotor                     |
| 37.         | 03-1417-09  | Lockwasher                             |
| 38.         | 03-1405-03  | Hex Hd Cap Screw                       |
| 39.         | 18-3303-02  | Water Cooled Condenser                 |
| 40.         | 03-0571-00  | Hex Hd Screw                           |
| 41.         | 16-0677-01  | Half Union                             |
| 42.         | A15924-000  | Pipe Bracket/nipple Assmbly            |
| 43.         | 11-0198-02  | Water Regulating Valve                 |
| 44.         | 16-0355-00  | Coupling                               |
| 45.         | 13-0674-09  | Reservoir tube, order per ft.          |

# MF400 SERVICE PARTS

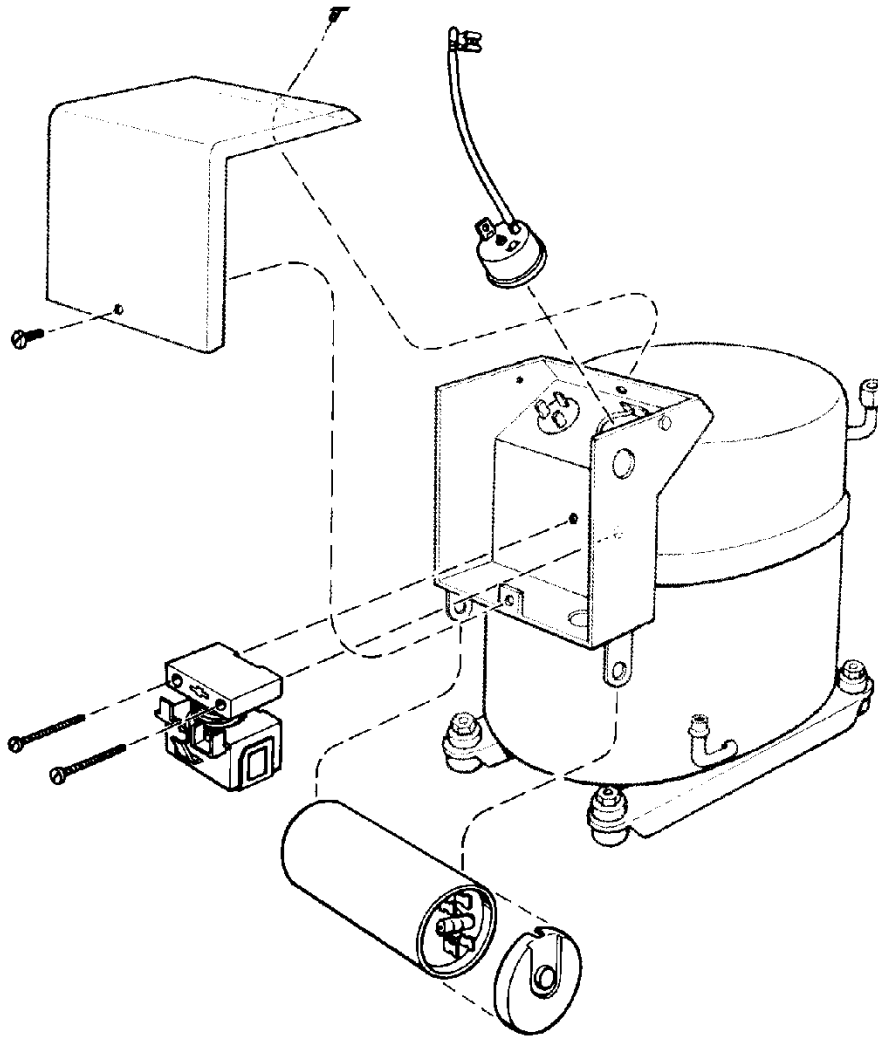
## Cabinet



| ITEM NUMBER | PART NUMBER | DESCRIPTION                |
|-------------|-------------|----------------------------|
| 1           | A26625-003  | Top panel, painted         |
|             | A26625-002  | Top panel, stainless       |
| 2           | 03-1419-09  | Flat head screw            |
| 3           | 03-1423-06  | Speed nut                  |
| 4           | A28048-001  | Back panel                 |
|             | A28048-002  | Back panel, stainless      |
| 5           | 03-1404-09  | Panel Screw                |
| 6           | A26623-003  | Left side panel            |
| 7           | A26623-003  | Left side panel, stainless |
| 8           | 03-1507-00  | Speed nut                  |
| 9           | A26624-003  | Right side panel           |
|             | A26624-002  | Right side panel           |
| 10          | A27111-003  | Front panel, painted       |
|             | A27111-002  | Front panel, stainless     |
| 11          | 15-0718-01  | Emblem                     |

# MF400 SERVICE PARTS

## Compressor



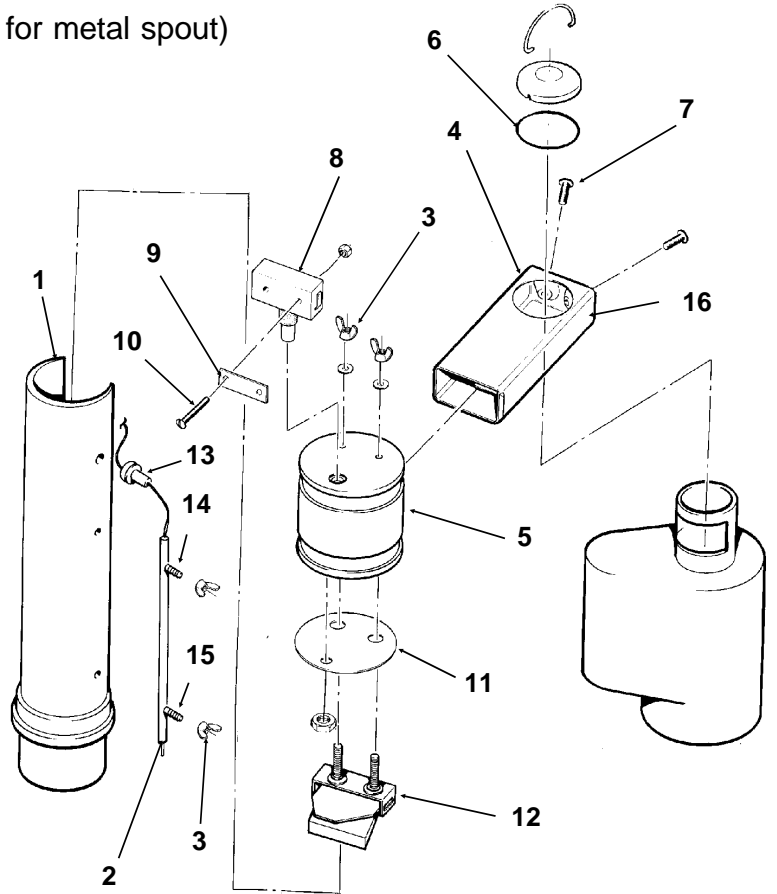
### COMPRESSOR

| ITEM NUMBER | PART NUMBER | DESCRIPTION     |
|-------------|-------------|-----------------|
| 1.          | 18-4500-01  | Compressor      |
| 2.          | 18-1901-33  | Start capacitor |
| 3.          | 18-2200-25  | Overload        |
| 4.          | 18-2200-26  | Relay           |

# MF400 SERVICE PARTS

## "B" Model Spout

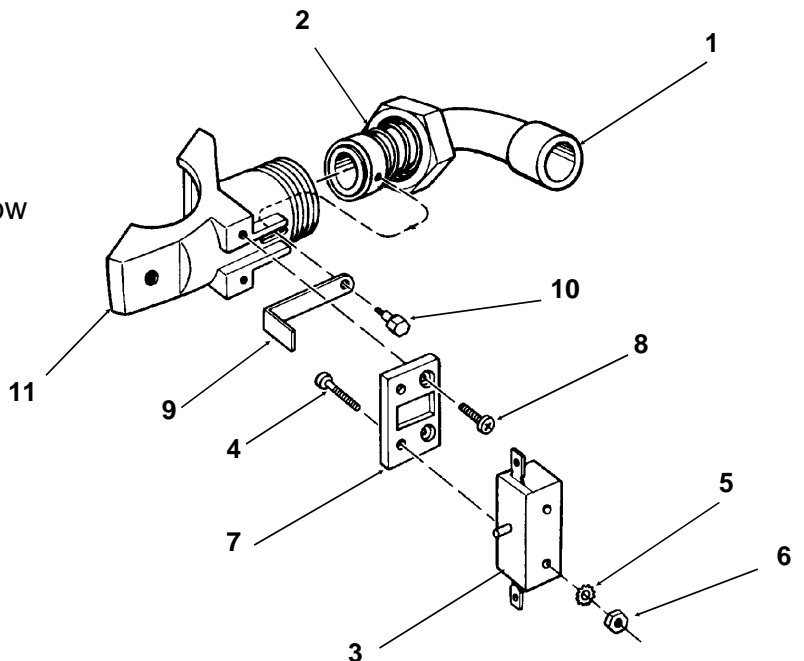
| ITEM NUMBER | PART NUMBER | DESCRIPTION                            |
|-------------|-------------|--|
| 1           | 05-0582-01  | Ice Tube Assy (only for metal spout)   |
| 2           | A34519-001  | Bin Thermo Bracket                     |
| 3           | 03-1587-02  | Wing nut                               |
| 4           | no number   | Spout*                                 |
| 5           | A34704-001  | Cap Assy (fits metal spout only)       |
| 6           | 13-0877-01  | Grommet (use with plastic spouts only) |
| 7           | 03-1403-46  | Screws                                 |
| 8           | 12-1018-01  | Microswitch                            |
| 9           | A34515-001  | Speed nut                              |
| 10          | 03-1403-09  | Screw                                  |
| 11          | A34700-001  | Plate                                  |
| 12          | A34516-001  | Switch plate                           |
| 13          | A34522-001  | Grommet (use with plastic spouts only) |
| 14          | 02-3207-01  | Upper spacer                           |
| 15          | 02-3207-02  | Lower spacer                           |
| 16          | 02-3200-01  | Spout insul. half                      |
|             | 02-3200-02  | Spout insul. half                      |



\*Kit to change early model units with plastic spout to current metal spout: A35350-001  
Change to metal spout began with May, 1991 production.

## "A" MODEL SPOUT

| ITEM NUMBER | PART NUMBER | DESCRIPTION         |
|-------------|-------------|---------------------|
| 1.          | A26542-001  | Ice Discharge elbow |
| 2.          | 13-0617-41  | O-ring              |
| 3.          | 12-1664-00  | Switch              |
| 4.          | 03-1418-38  | Screw               |
| 5.          | 03-1417-01  | Lockwasher          |
| 6.          | 03-1406-01  | Nut                 |
| 7.          | 02-2377-01  | Thermal Barrier     |
| 8.          | 03-1418-01  | Screw               |
| 9.          | A27511-001  | Switch actuator     |
| 10.         | A25305-001  | Shoulder screw      |
| 11.         | A24934-001  | Spout Casting       |

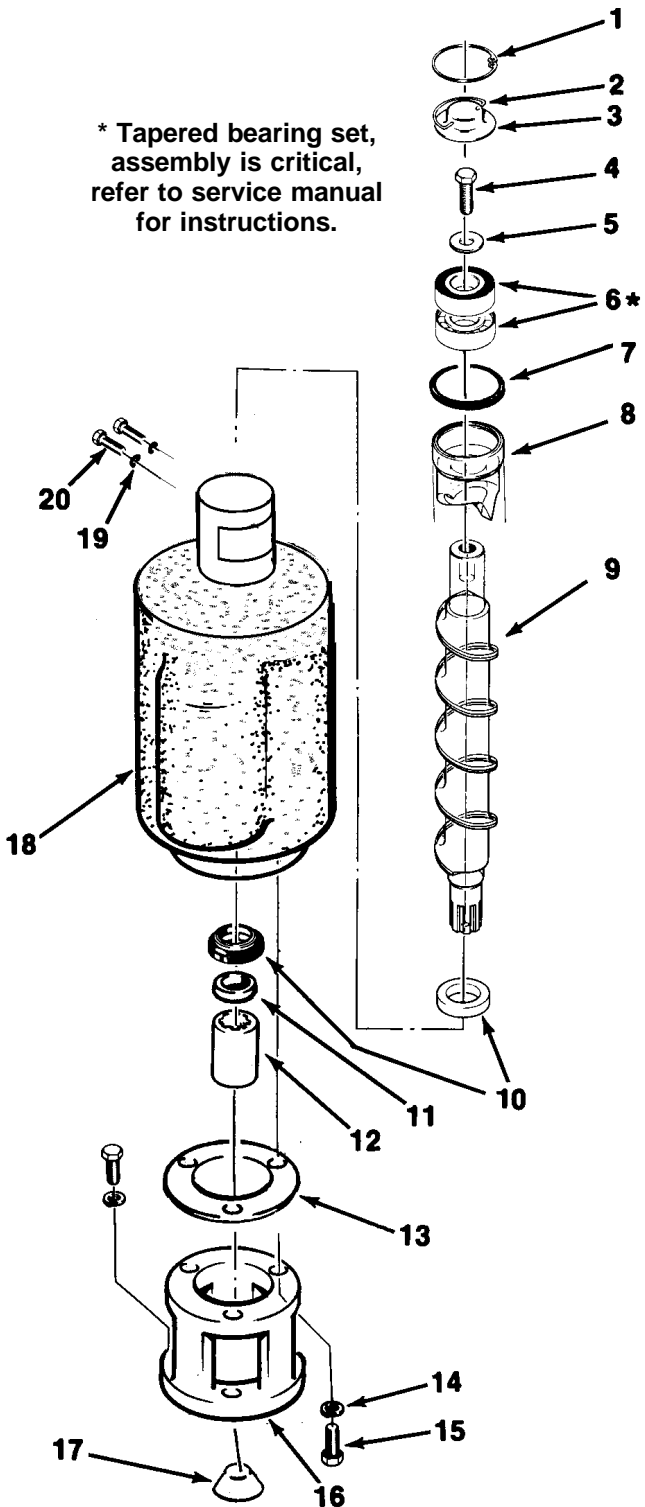


# MF400 SERVICE PARTS

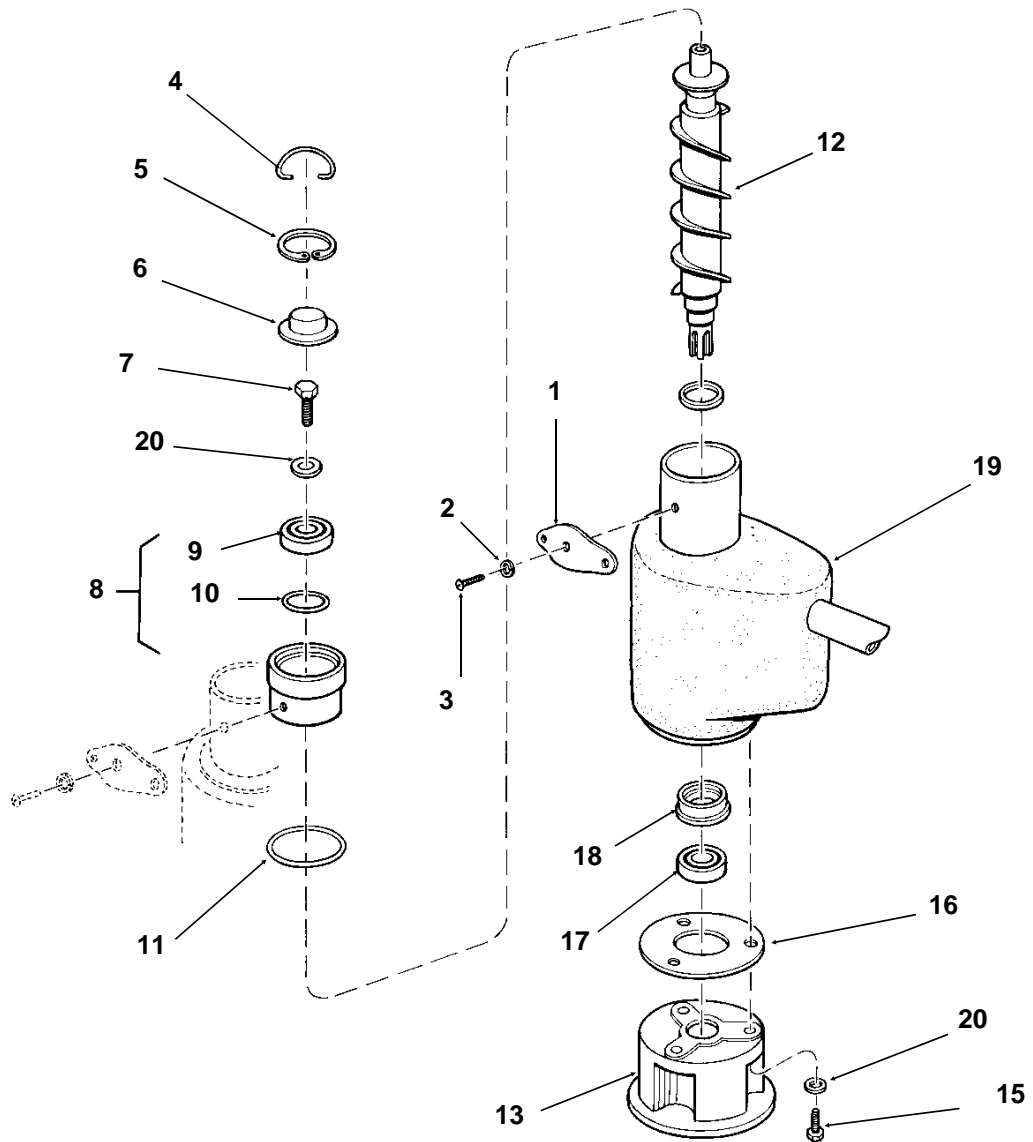
## Evaporator for "B" series

| ITEM NUMBER | PART NUMBER | DESCRIPTION                            |
|-------------|-------------|--|
| 1           | 03-1558-03  | Retainer Ring                          |
| 2           | A08162-000  | Cap Hook                               |
| 3           | A07701-000  | Cap                                    |
| 4           | 03-0758-00  | Screw                                  |
| 5           | A07699-000  | Washer                                 |
| 6           | 02-1412-00  | Top Bearing Set                        |
| 7           | 13-0617-16  | O-Ring                                 |
| 8           | A14678-020  | Breaker with Bearing<br>Includes 6,7,8 |
| 9           | A29669-001  | Auger                                  |
| 10          | 02-1300-01  | Water Seal                             |
| 11          | 02-0417-00  | Lower Bearing                          |
| 12          | A29915-002  | Spline Coupling                        |
| 13          | 03-1505-00  | Gasket                                 |
| 14          | 03-1410-04  | Washer (3)                             |
| 15          | 03-1420-01  | Cap Screw (3)                          |
| 16          | 08-0595-01  | Adapter                                |
| 17          | 13-0709-01  | Water shed                             |
| 18          | A34500-020  | Evaporator**                           |
| 19          | 03-1417-07  | Washer                                 |
| 20          | 03-1403-46  | Screw                                  |

\*\* Not available as an assembly, but includes parts to change to metal spout design.



# MF400 SERVICE PARTS



## "A " MODEL EVAPORATOR

| ITEM NUMBER | PART NUMBER | DESCRIPTION                      | ITEM NUMBER | PART NUMBER | DESCRIPTION                 |
|-------------|-------------|----------------------------------|-------------|-------------|-----------------------------|
| 1           | A18430-002  | Spout Plate                      | 11.         | 13-0617-29  | O-ring                      |
| 2.          | 03-1409-14  | Washer                           | 12.         | A29622-001  | Auger                       |
| 3.          | 03-1506-01  | Sealing Screw                    | 13.         | 08-0595-01  | Adaptor                     |
| 4.          | A08162-000  | Cap Hook                         | 14.         | 03-1401-04  | Lockwasher                  |
| 5.          | 03-1558-03  | Retaining Ring                   | 15.         | 03-1420-01  | Hex cap screw               |
| 6.          | A07701-000  | Cap                              | 16.         | 03-1505-00  | Gasket                      |
| 7.          | 03-0758-00  | Cap Screw                        | 17.         | 02-0417-00  | Bottom Bearing              |
| 8.          | A26707-001  | Bearing Retainer<br>With Bearing | 18.         | 02-1300-01  | Water seal,<br>two part set |
| 9.          | 02-0695-00  | Top Bearing                      | 19.         | A29344-020  | Evaporator only*            |
| 10          | 13-0617-16  | O-ring                           | 20.         | A07699-000. | Washer                      |

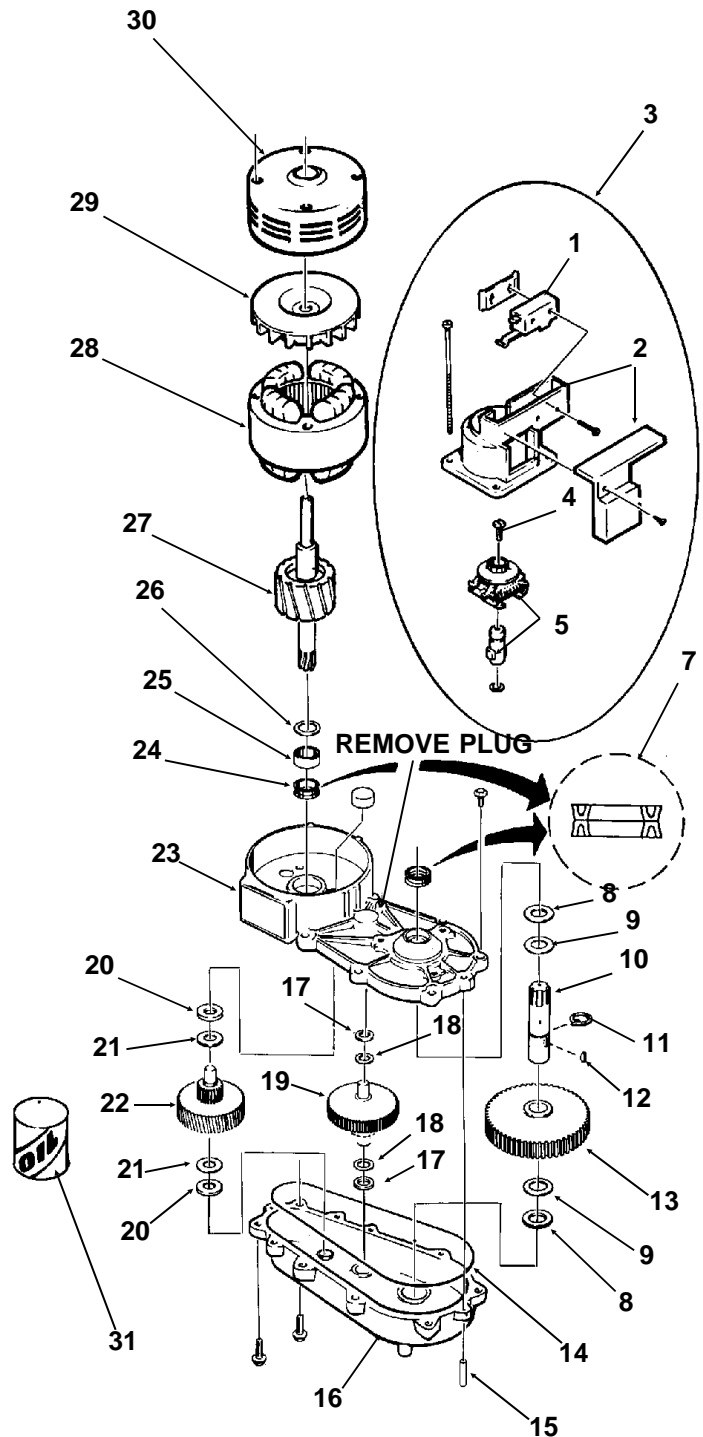
\* Evaporator is not available as an assembled part. All parts must be ordered individually.



# MF400 SERVICE PARTS

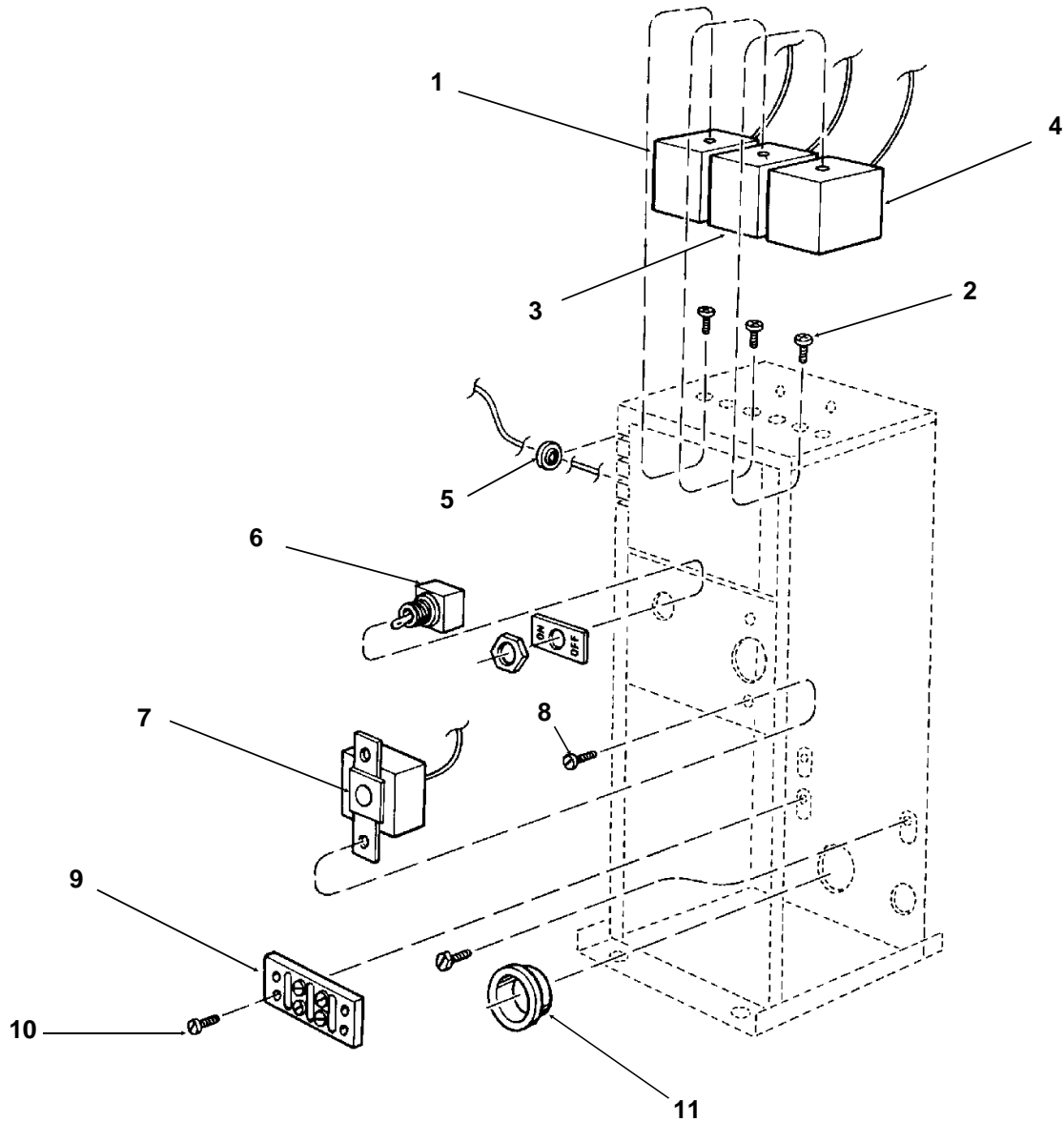
## GEARMOTOR

| ITEM NUMBER | PART NUMBER                | DESCRIPTION                   |
|-------------|----------------------------|-------------------------------|
| 1.          | 12-2059-01                 | Switch                        |
| 2.          | A27895-001                 | Housing                       |
| 3.          | A27494-001                 | Centrifugal Sw. Kit           |
| 4.          | 03-1403-77                 | Screw                         |
| 5.          | A30579-001                 | Shaft and Actuator            |
| 6.          | 03-1408-36                 | Washer                        |
| 7.          | 02-1503-00                 | Grease seal                   |
|             | 13-0841-01                 | Water shed, not illus         |
| 8.          | 03-1408-21                 | Washer                        |
| 9.          | 03-1408-04                 | Washer                        |
| 10.         | 02-2445-01                 | Output shaft                  |
| 11.         | 03-1515-03                 | Retaining ring                |
| 12.         | 03-1602-01                 | Woodruff Key                  |
| 13.         | 02-2444-01                 | Output gear                   |
| 14.         | 02-1505-00                 | O-ring                        |
| 15.         | 03-0774-11                 | Roll pin                      |
| 16.         | A28166-001                 | Gear Case                     |
| 17.         | 03-1408-39                 | Washer                        |
| 18.         | 03-1408-40                 | Washer shim                   |
| 19.         | 02-2439-01                 | Second gear and third pinion  |
| 20.         | 03-1408-41                 | Washer                        |
| 21.         | 03-1408-38                 | Washer                        |
| 22.         | 02-2438-01                 | First gear and second pinion  |
| 23.         | A28165-021                 | Gear box cover                |
| 24.         | 02-3969-20                 | Grease seal                   |
| 25.         | 02-1501-00                 | Bearing                       |
| 26.         | 03-1408-08                 | Washer                        |
| 27.         | A37707-021                 | Motor kit                     |
| 28.         | no number, part of item 27 |                               |
| 29.         | A28168-001                 | Fan                           |
| 30.         | A38501-001                 | Motor Housing with bearing    |
| 31.         | A25835-001                 | Oil                           |
| 32.         | A31977-021                 | Complete Gear Motc As ssembly |



# MF400 SERVICE PARTS

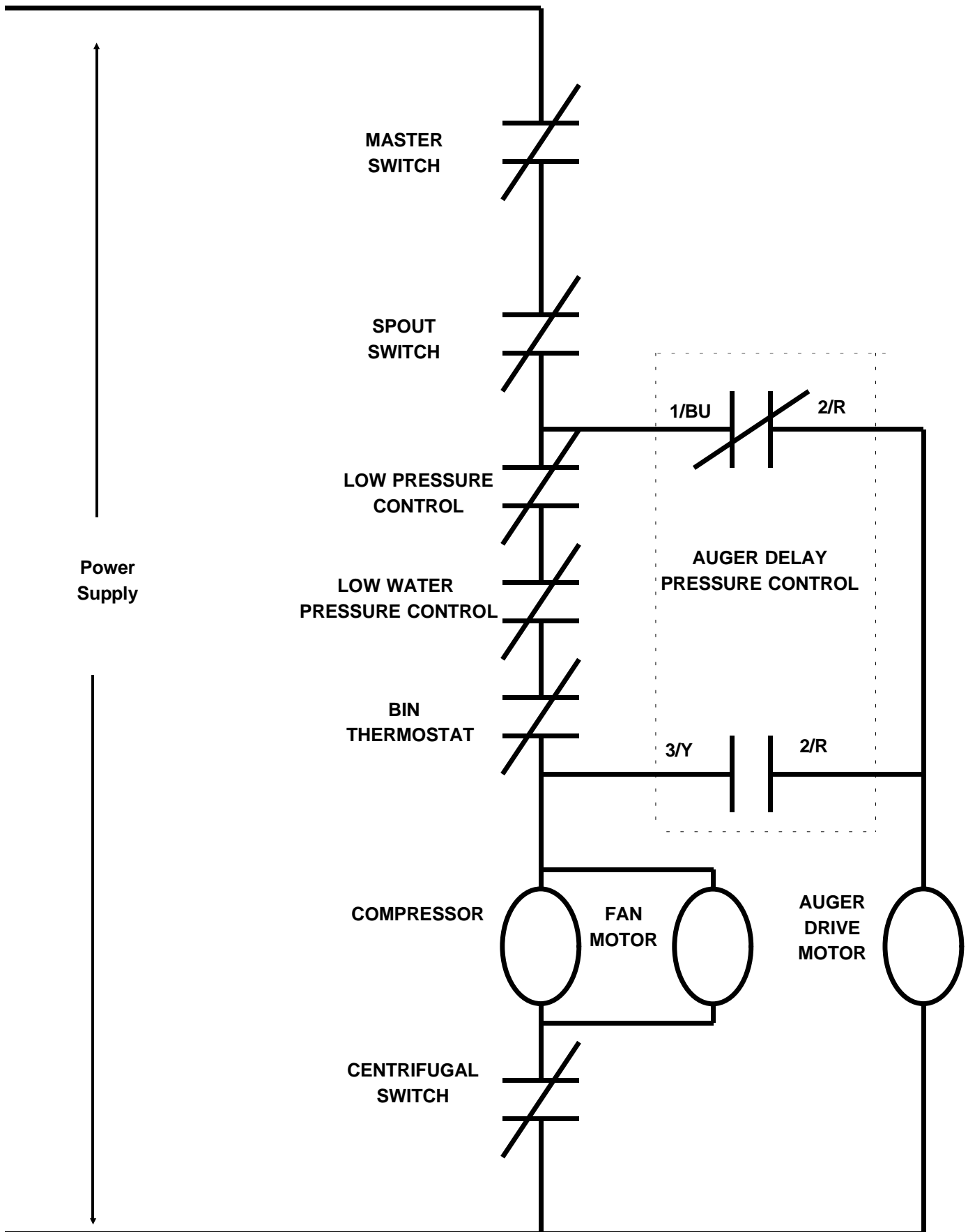
## Control Box



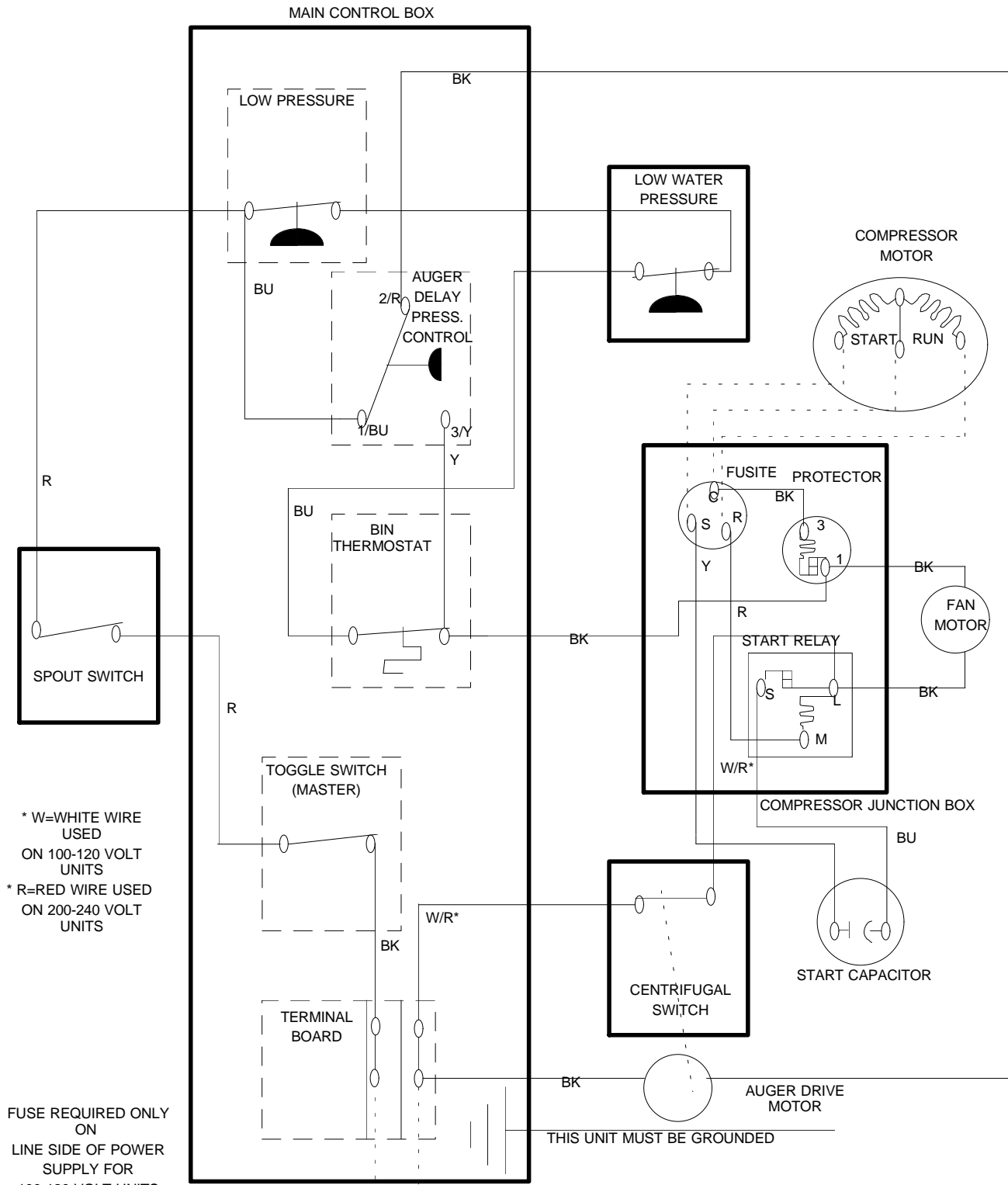
### CONTROL BOX

| ITEM NUMBER | PART NUMBER | DESCRIPTION                   |
|-------------|-------------|-------------------------------|
| 1.          | 11-0420-01  | Low pressure control          |
| 2.          | 03-1403-02  | Mounting Screw                |
| 3.          | 11-0388-02  | High pressure control, (w.c.) |
| 4.          | 11-0402-01  | Auger Delay Control           |
| 5.          | 13-0557-00  | Grommet                       |
| 6.          | 12-0426-01  | Toggle switch                 |
| 7.          | 11-0354-00  | Bin Thermostat                |
| 8.          | 03-1403-17  | Mounting screw                |
| 9.          | 12-0813-04  | Terminal board                |
| 10.         | 03-1403-21  | Mounting screw                |
| 11.         | 12-1213-12  | Snap Bushing                  |

# MF400 WIRING DIAGRAM Air Cooled



# MF400 WIRING DIAGRAM Air Cooled



\* W=WHITE WIRE USED ON 100-120 VOLT UNITS  
 \* R=RED WIRE USED ON 200-240 VOLT UNITS

FUSE REQUIRED ONLY ON LINE SIDE OF POWER SUPPLY FOR 100-120 VOLT UNITS

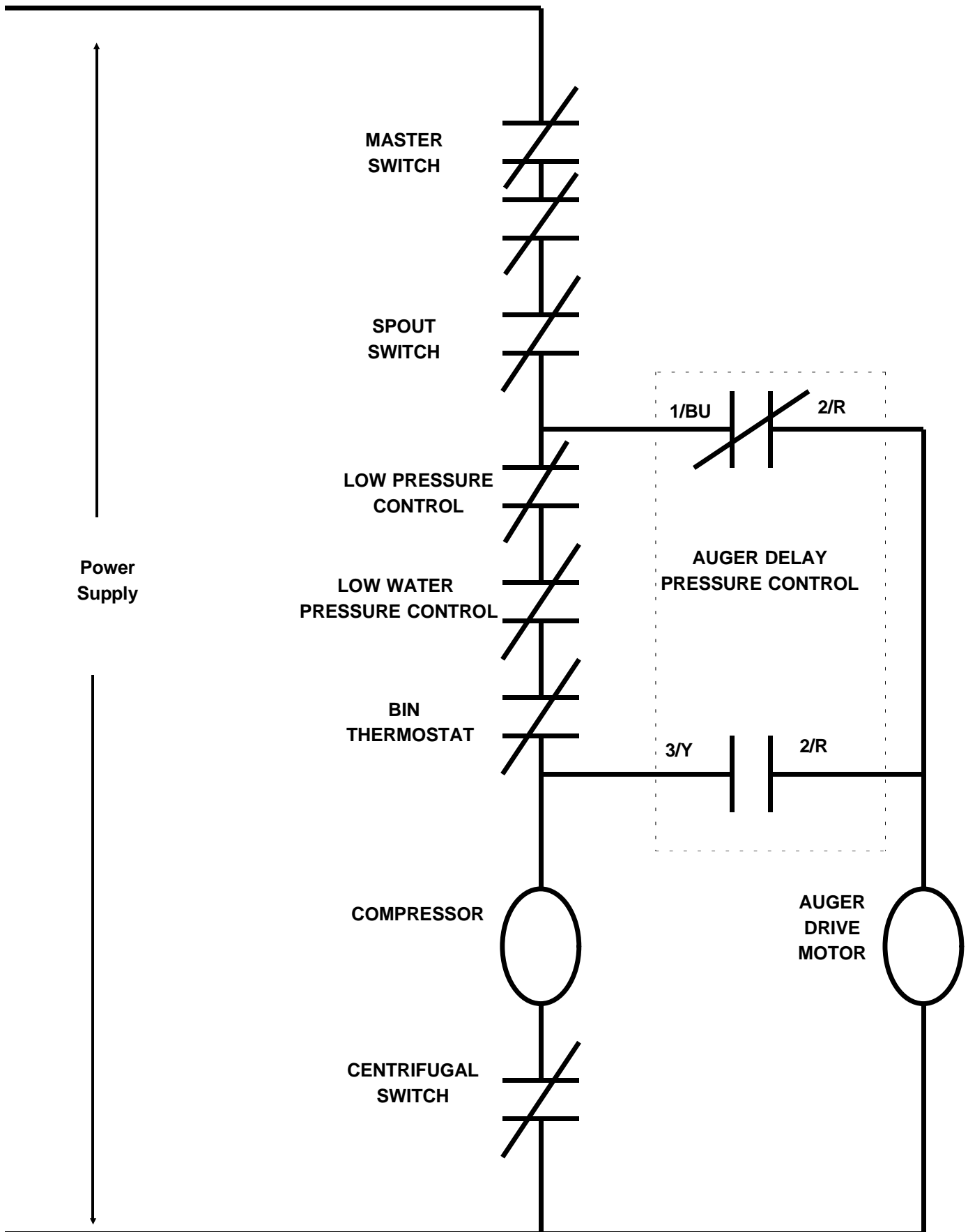
POWER SUPPLY SEE NAMEPLATE FOR PROPER VOLTAGE REQUIREMENTS AND MAXIMUM FUSE SIZE

FUSES REQUIRED ON BOTH SIDES OF POWER SUPPLY FOR 200-240 VOLT UNITS

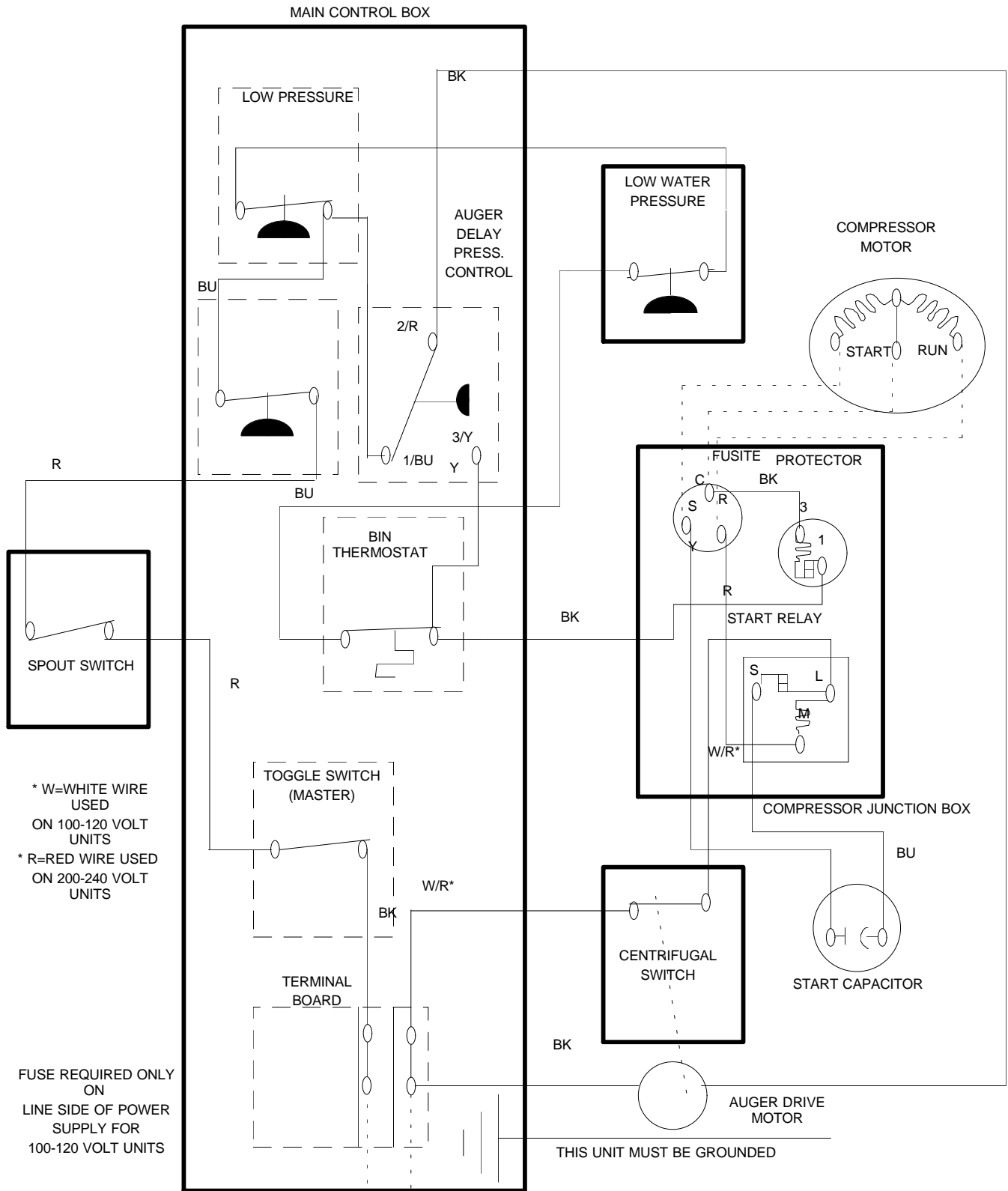
ALL CONTROL SHOWN IN THE NORMAL ICE MAKING MODE

THIS UNIT MUST BE GROUND

# MF400 WIRING DIAGRAM Water Cooled



# MF400 WIRING DIAGRAM Water Cooled



\* W=WHITE WIRE USED ON 100-120 VOLT UNITS  
 \* R=RED WIRE USED ON 200-240 VOLT UNITS

FUSE REQUIRED ONLY ON LINE SIDE OF POWER SUPPLY FOR 100-120 VOLT UNITS

POWER SUPPLY SEE NAMEPLATE FOR PROPER VOLTAGE REQUIREMENTS AND MAXIMUM FUSE SIZE

FUSES REQUIRED ON BOTH SIDES OF POWER SUPPLY FOR 200-240 VOLT UNITS

ALL CONTROL SHOWN IN THE NORMAL ICE MAKING MODE

THIS UNIT MUST BE GROUNDED