

FME2400RH SERVICE PARTS

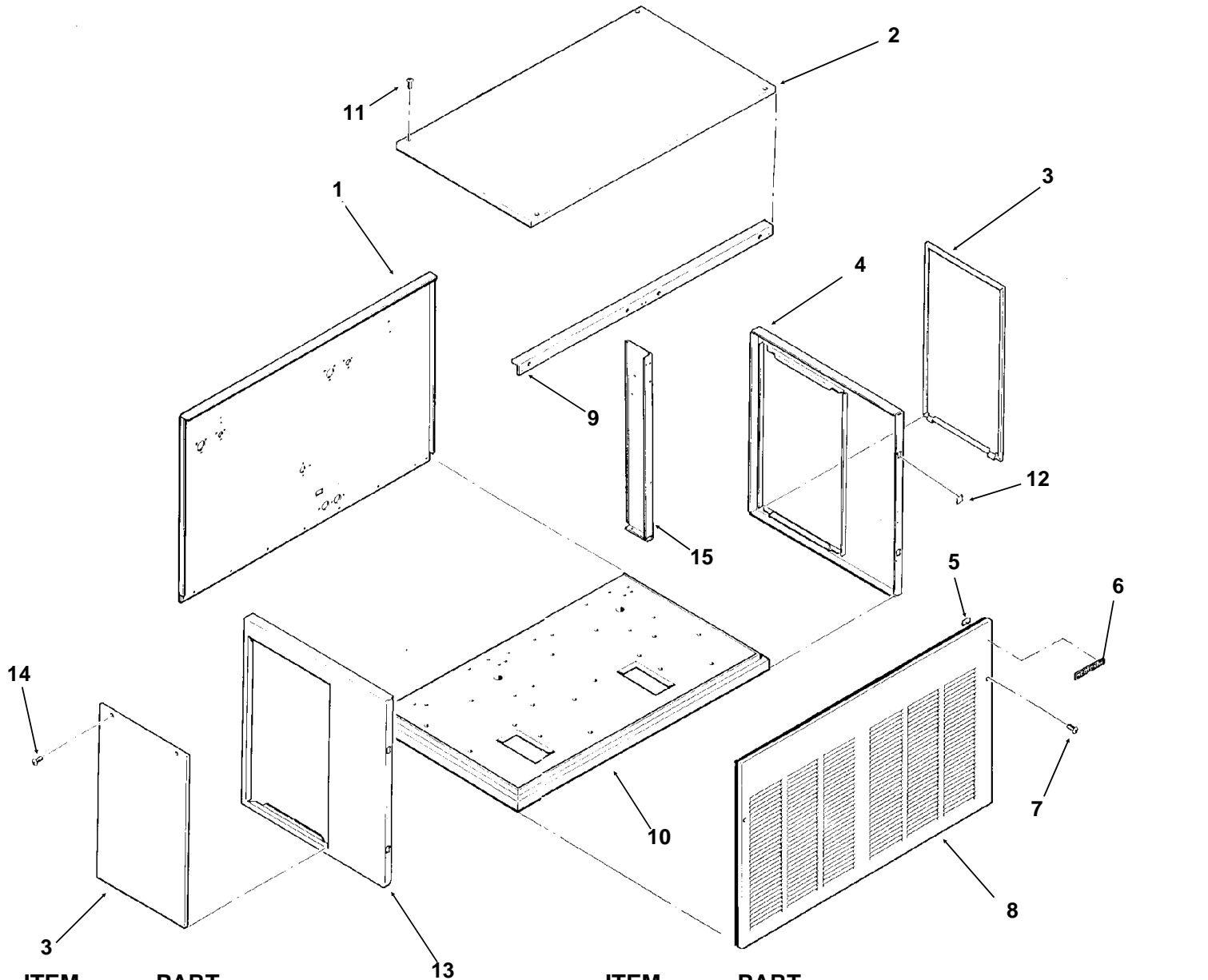
This parts list contains the service parts and wiring diagrams for this model. Check the model number of the machine requiring the parts to be sure that this is the correct parts list.

TABLE OF CONTENTS

Cabinet Assembly	Page 2
Water System	Page 3
Refrigeration System	Page 4
Evaporator	Page 5
Gearmotor	Page 6
Control Box	Page 7
Wiring Diagrams	Page 8

FME2400RH SERVICE PARTS

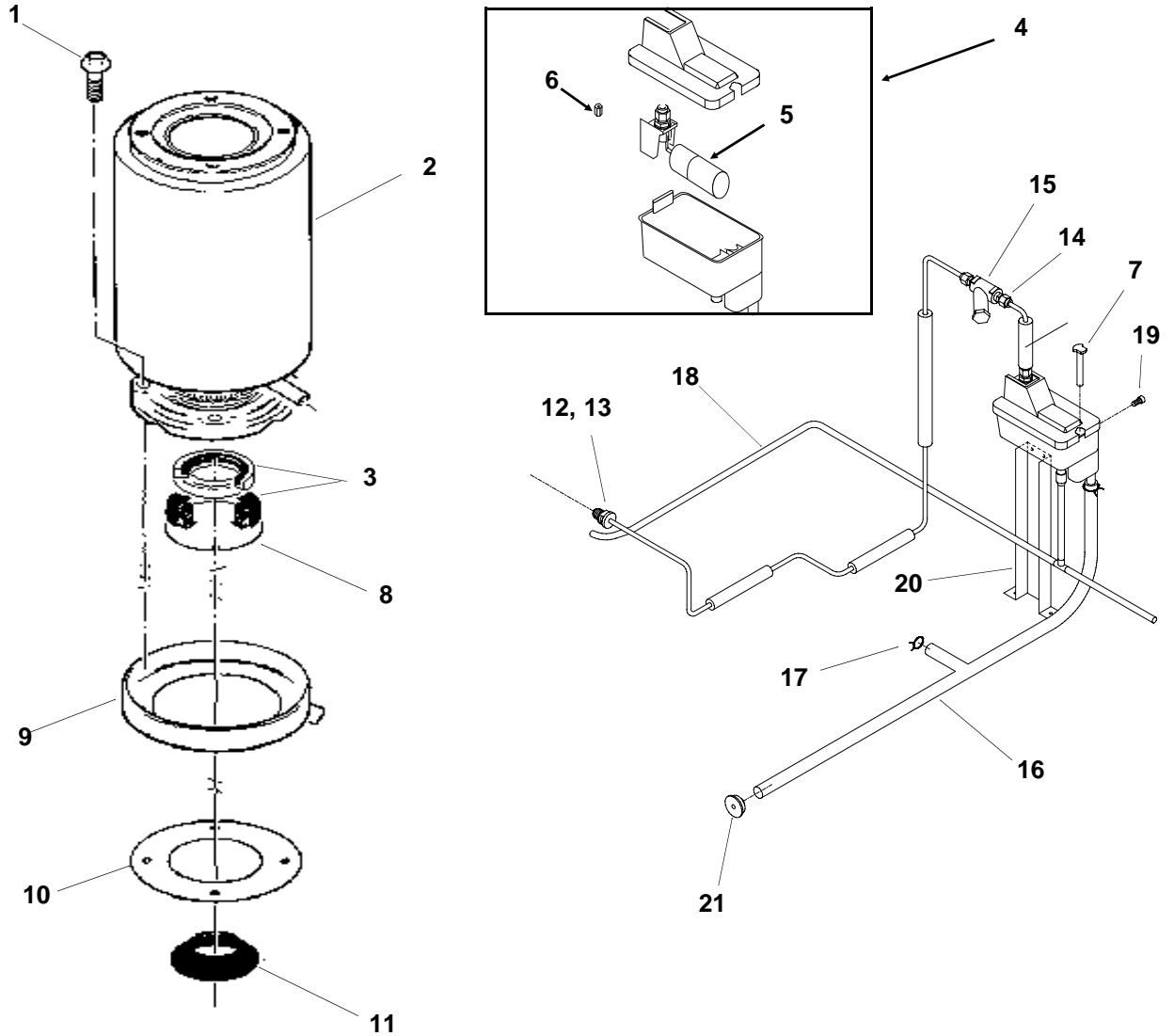
Cabinet



ITEM NUMBER	PART NUMBER	DESCRIPTION	ITEM NUMBER	PART NUMBER	DESCRIPTION
1	A34283-001	Back Panel, sandalwood	8	A34294-001	Front Panel, sandalwood
	A34283-015	Back panel, gray		A34294-015	Front panel, gray
2	A32461-001	Top Panel, sandalwood		A34294-002	Front Panel, S.S.
	A32461-015	Top panel, gray	9	A34287-001	Support
	A32461-002	Top Panel, S.S.	10	A35593-001	Base
3	A34038-001	Service Panel, sandalwood	11	03-1531-01	Screw
	A34038-015	Service panel, gray	12	02-0836-00	Catch
	A34038-002	Service Panel, S.S.	13	A32435-001	Left Side Panel, sandalwood
4	A33292-001	Right Side Panel, sandalwood		A32435-015	Left side panel, gray
	A33292-015	Right side panel, gray		A32435-002	Left Side Panel, S.S.
	A33292-002	Right Side Panel, S.S.	14	03-1404-12	Screw
5	03-0271-00	Speed Clip	15.	A34286-001	Center Support
6	15-0711-01	Emblem, sandalwood			
	15-0808-03	Emblem, grey			
7	03-1419-22	Screw			

FME2400RH SERVICE PARTS

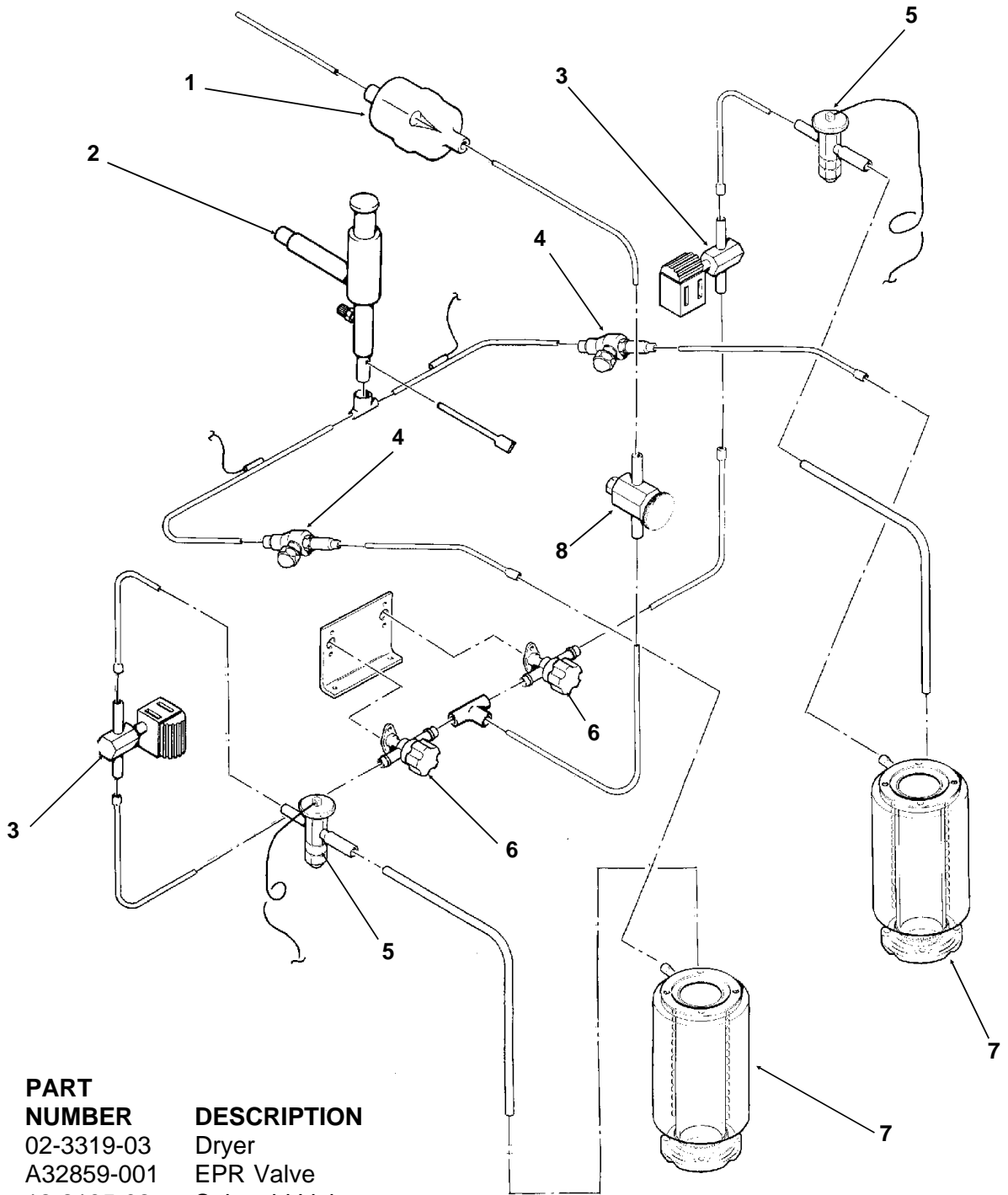
Water System



ITEM NUMBER	PART NUMBER	DESCRIPTION	ITEM NUMBER	PART NUMBER	DESCRIPTION
1	03-1420-03	Cap Screw	15	16-0162-00	Strainer
2	A32890-020	Evaporator	16	A36154-001	Evap. water inlet tube
3	02-0929-23	Water Seal	17	02-1338-00	Hose clamp
4	02-3266-20	Reservoir & valve	18	13-0079-03	Res. overflow hose
5	02-3266-21	Float valve	19	03-1639-03	Screw
6	02-3266-03	Plunger/seat	20	A36078-002	Reservoir bracket
7	A33101-022	Water Level Sensor	21	13-0840-01	Rubber cap
8	A32777-001	Retaining Ring for Seal			
9	02-3837-01	Drip Pan			
10	13-0704-00	Gasket			
11	13-0868-01	Water Shed			
12	A27318-001	Water Inlet Fitting			
13	03-1394-01	Pal Nut			
14	16-0791-01	Coupling union			

FME2400RH SERVICE PARTS

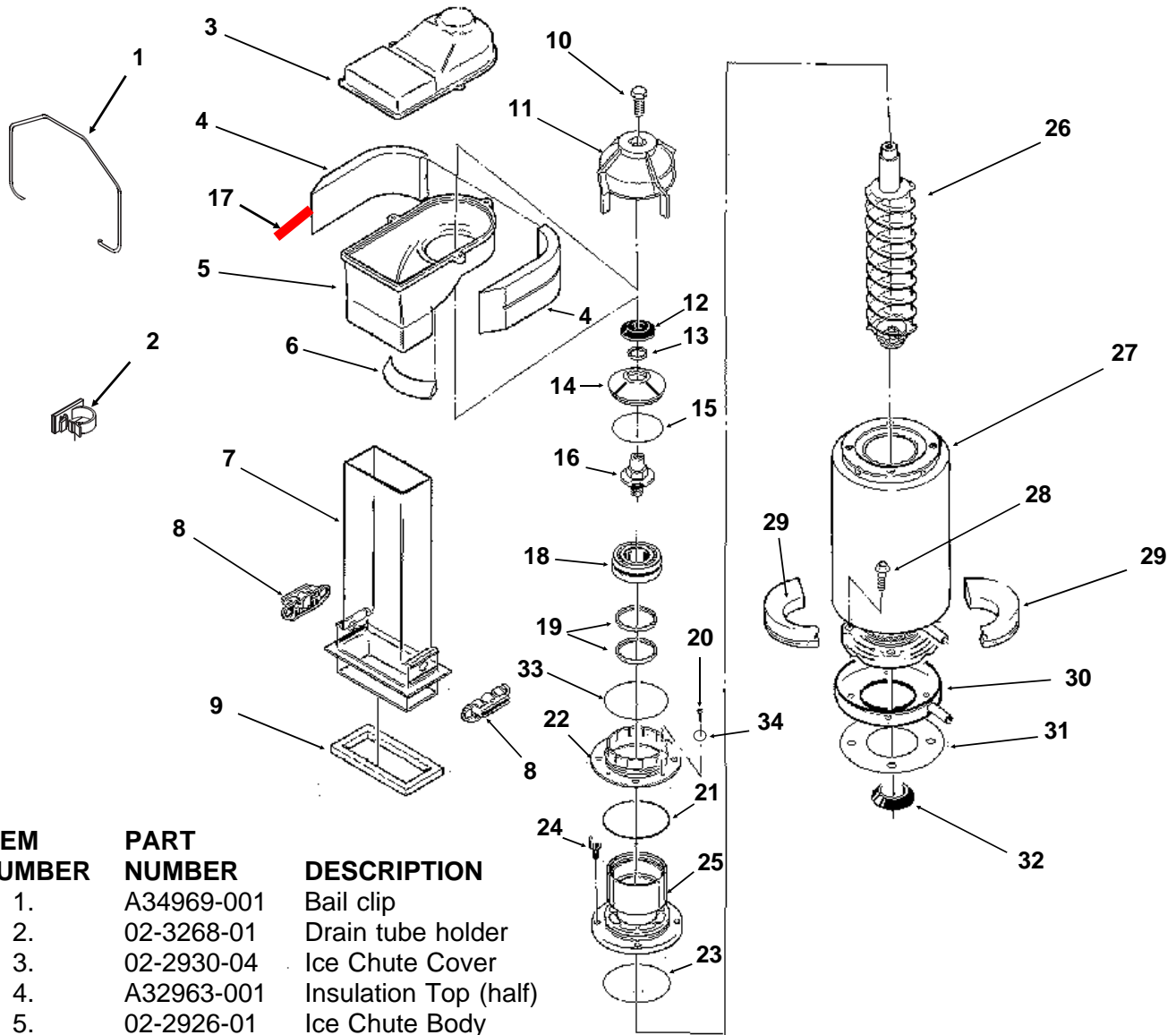
Refrigeration System



ITEM NUMBER	PART NUMBER	DESCRIPTION
1	02-3319-03	Dryer
2	A32859-001	EPR Valve
3	12-2135-02	Solenoid Valve
4	11-0548-02	Ball Valve
5	11-0488-21	Thermostatic Expansion Valve
6	A32858-001	Shut Off Valve
7	A32890-020	Evaporator
8	16-0762-02	Sight Glass

FME2400RH SERVICE PARTS

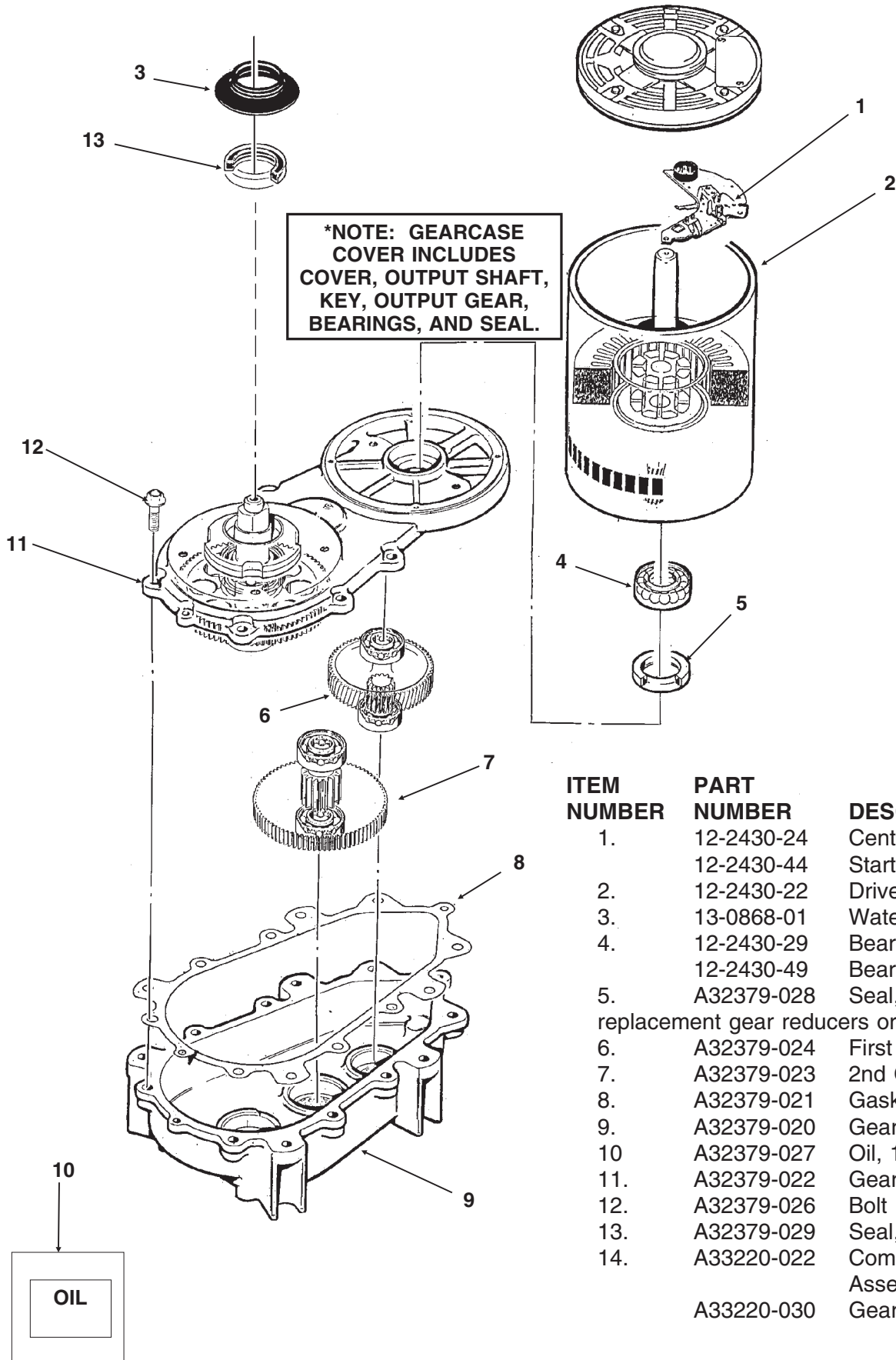
Evaporator, Chute, Bin Controls



ITEM NUMBER	PART NUMBER	DESCRIPTION
1.	A34969-001	Bail clip
2.	02-3268-01	Drain tube holder
3.	02-2930-04	Ice Chute Cover
4.	A32963-001	Insulation Top (half)
5.	02-2926-01	Ice Chute Body
6.	A33102-001	Insulation Collar Inside
7.	02-2929-04	Ice Chute Lower
8.	A33117-020	Bin Controls Assy. (set of 2)
9.	A32930-001	Chute Gasket
10.	03-1405-52	Hex Cap Screw
11.	02-3001-01	Ice Sweep
12.	13-0871-01	Water Shed
13.	02-2978-01	Lip Seal
14.	02-3128-20	Breaker Cover
15.	13-0617-54	O-Ring
16.	08-0660-01	Auger Stud, thrust Washe
17.	A35419-020	Strap kit
18.	A34559-020	Bearing
19.	02-2977-01	Lip Seal
20.	03-1405-27	Screw
21.	13-0617-52	O-Ring
22.	02-2916-01	Slotted Collar
23.	13-0617-45	O-Ring
24.	03-1544-08	Soc. Head Screw
25.	A34505-020	Breaker (Divider) (includes 18 & 19)
26.	A38071-022	Auger
27.	A32890-020	Evaporator
28.	03-1420-03	Cap Screw
29.	A32962-001	Insulation Bot. (half)
30.	A32050-001	Drip Pan
31.	13-0704-00	Drip Pan Gasket
32.	13-0868-01	Water Shed
33.	13-0617-49	O-Ring
34.	03-1408-36	Washer

FME2400RH SERVICE PARTS

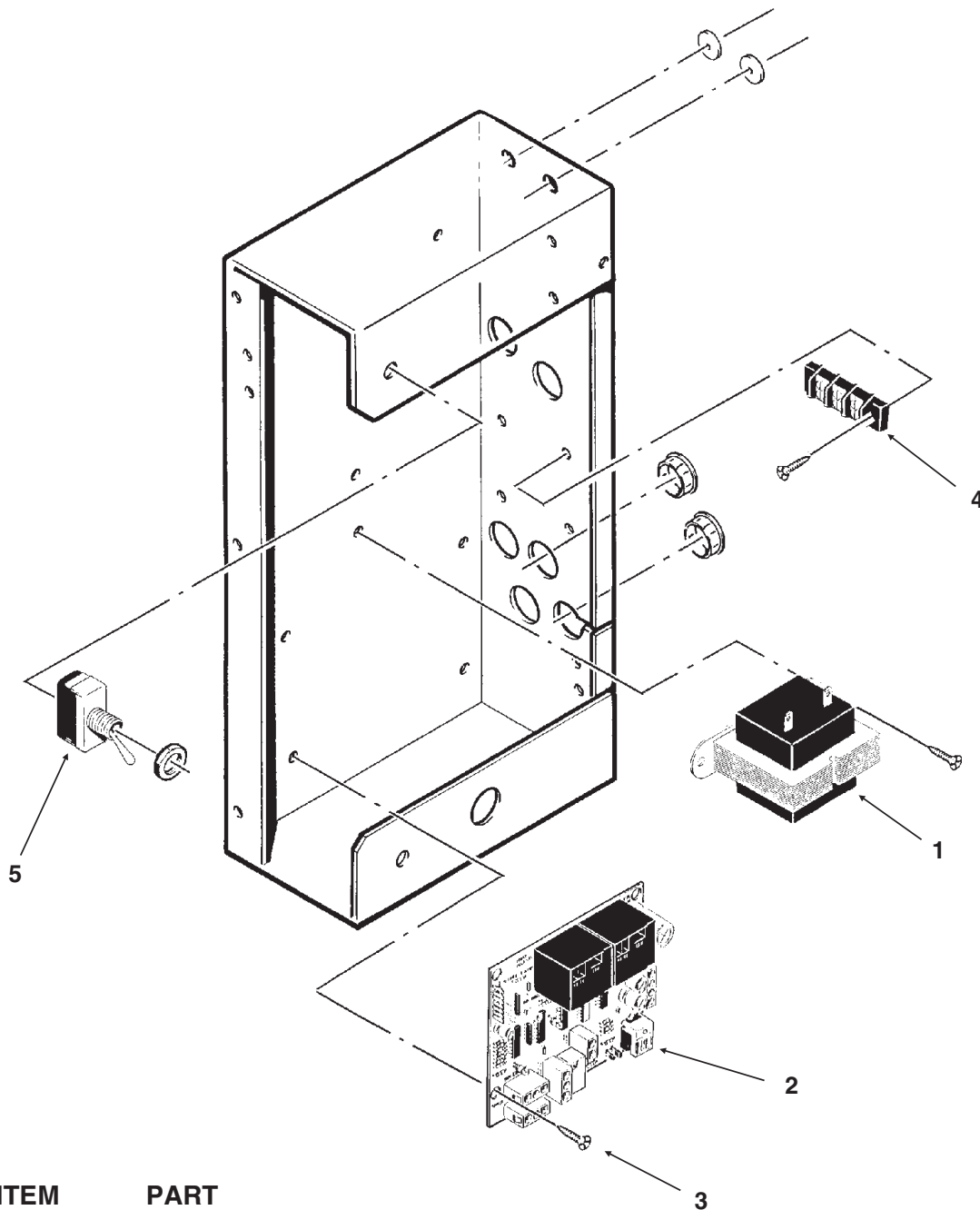
Gearmotor



ITEM NUMBER	PART NUMBER	DESCRIPTION
1.	12-2430-24	Centrifugal switch, Emerson
	12-2430-44	Start switch, GE split phase
2.	12-2430-22	Drive Motor 208-230 v
3.	13-0868-01	Water Shed.
4.	12-2430-29	Bearing - Emerson
	12-2430-49	Bearing, GE split phase
5.	A32379-028	Seal, not used on replacement gear reducers or covers after 2/2000
6.	A32379-024	First Gear & Bearing
7.	A32379-023	2nd Gear & Bearing
8.	A32379-021	Gasket
9.	A32379-020	Gear Case
10.	A32379-027	Oil, 1 Container
11.	A32379-022	Gearcase Cover*
12.	A32379-026	Bolt (6)
13.	A32379-029	Seal, Output
14.	A33220-022	Complete Gearmotor Assembly. 208-230 v.
	A33220-030	Gearcase kit, no motor

FME2400RH SERVICE PARTS

Control Box



ITEM NUMBER	PART NUMBER	DESCRIPTION
1	12-2285-22	Transformer
2	A37750-021	Circuit Board
3	12-2350-01	Stand off
4	12-0813-04	Terminal Strip
5	12-0426-01	Master Switch

Not Illustrated:

6	12-2340-01	Wire harness to transformer
7	A34055-001	Control Box Cover

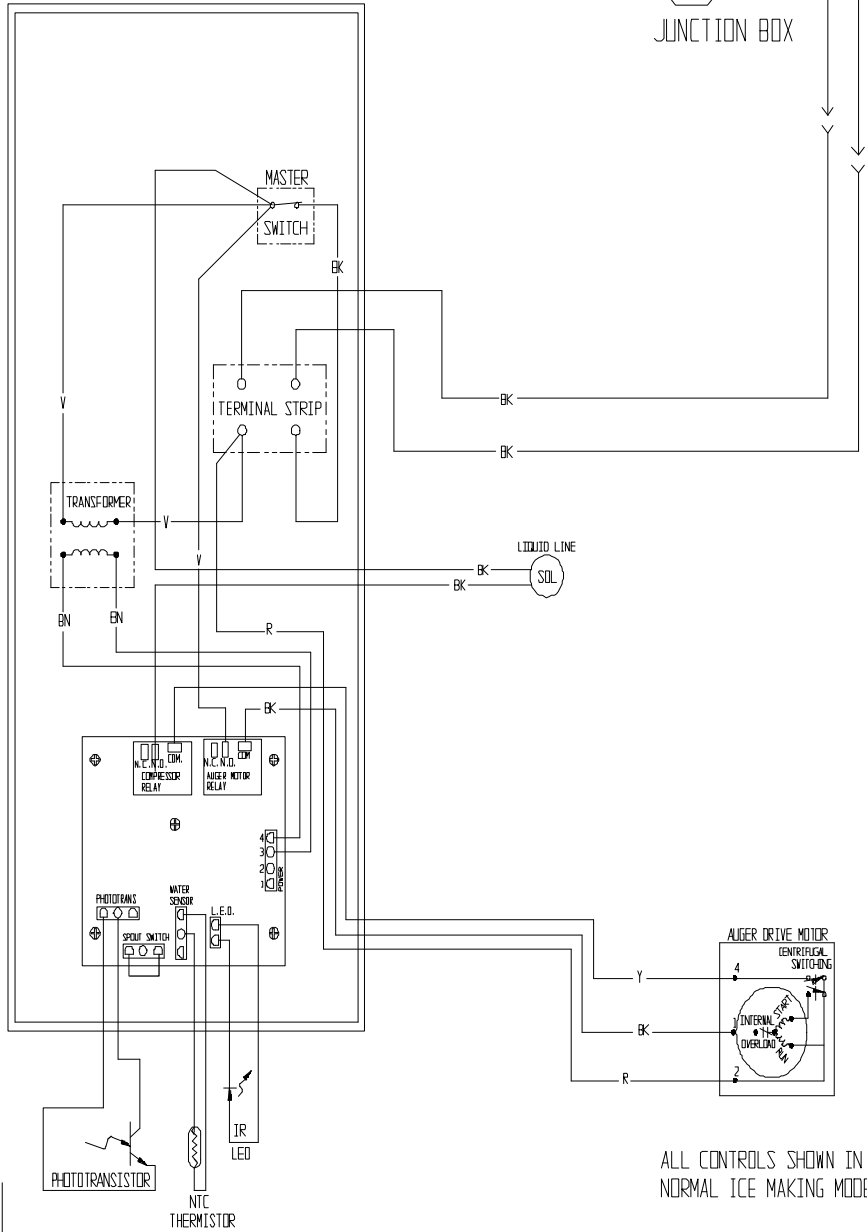
FME2400RH SERVICE PARTS

Wiring Diagram

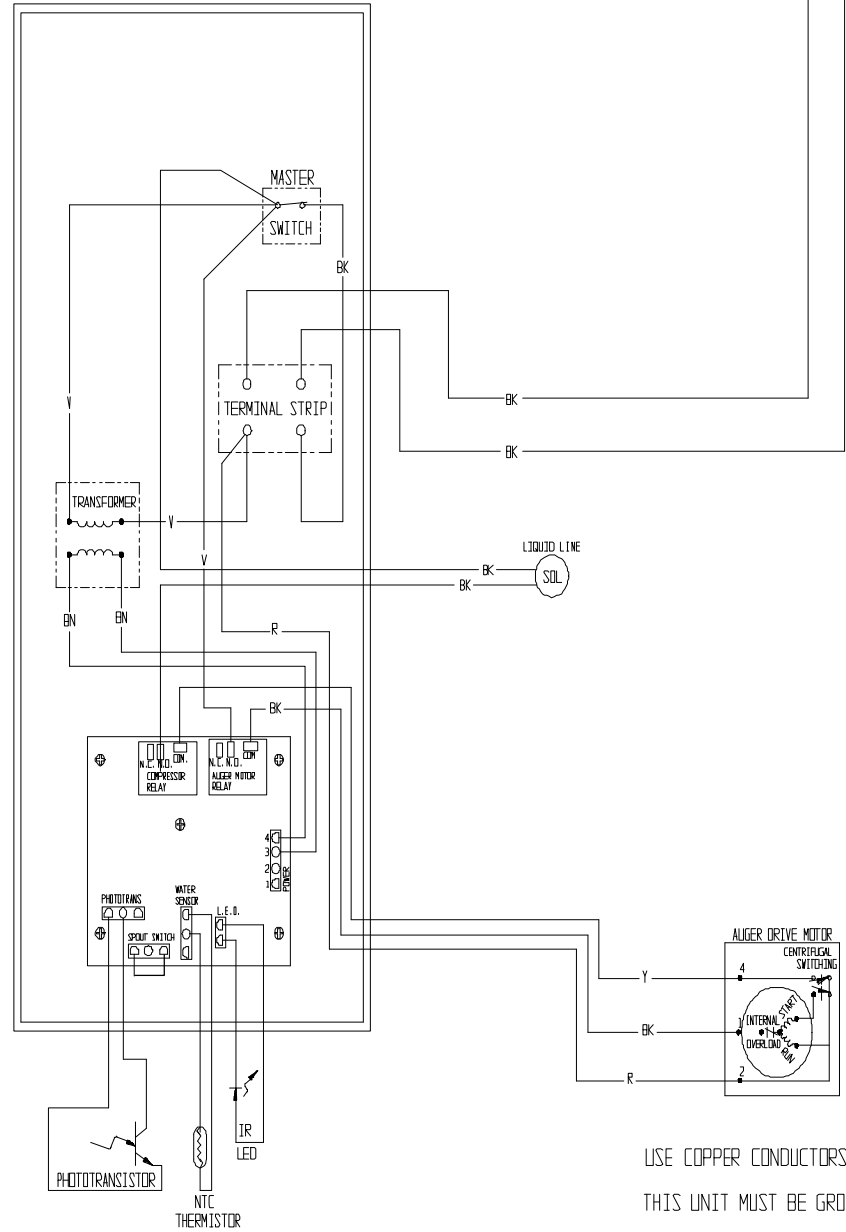
A36706-032

SEE NAMEPLATE FOR
SUPPLY VOLTAGE
AND MAX. FUSE SIZE

JUNCTION BOX



ALL CONTROLS SHOWN IN
NORMAL ICE MAKING MODE



USE COPPER CONDUCTORS ONLY
THIS UNIT MUST BE GROUNDED

FME2400RH SERVICE PARTS

Schematic Diagram

