

DCE33 SERVICE PARTS

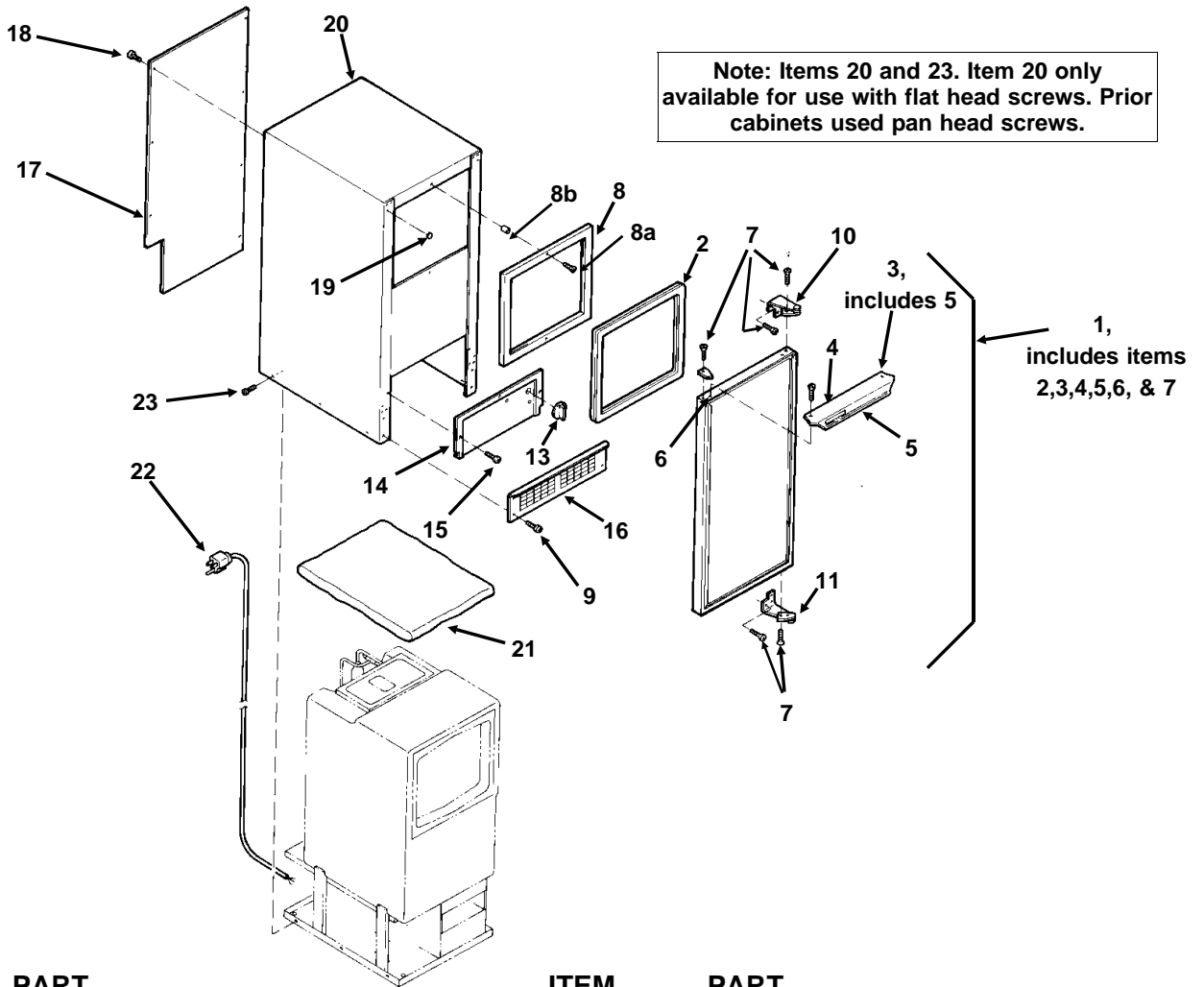
The section contains the parts list for the DCE33. The DCE33 has been manufactured in either a White or a Black finish. Please check the part description before ordering any part.

TABLE OF CONTENTS

CABINET	PAGE 2
MAJOR ASSEMBLIES	PAGE 3
DRAIN PUMP PARTS	PAGE 4
CONDENSING UNIT	PAGE 5
RESERVOIR	PAGE 6
CONTROL BOX	PAGE 7
COMPRESSOR	PAGE 8
KIT PARTS.....	PAGE 9
WIRING DIAGRAMS	
DRAIN PUMP MODEL	PAGE 10
GRAVITY DRAIN MODEL.....	PAGE 11

DCE33 SERVICE PARTS

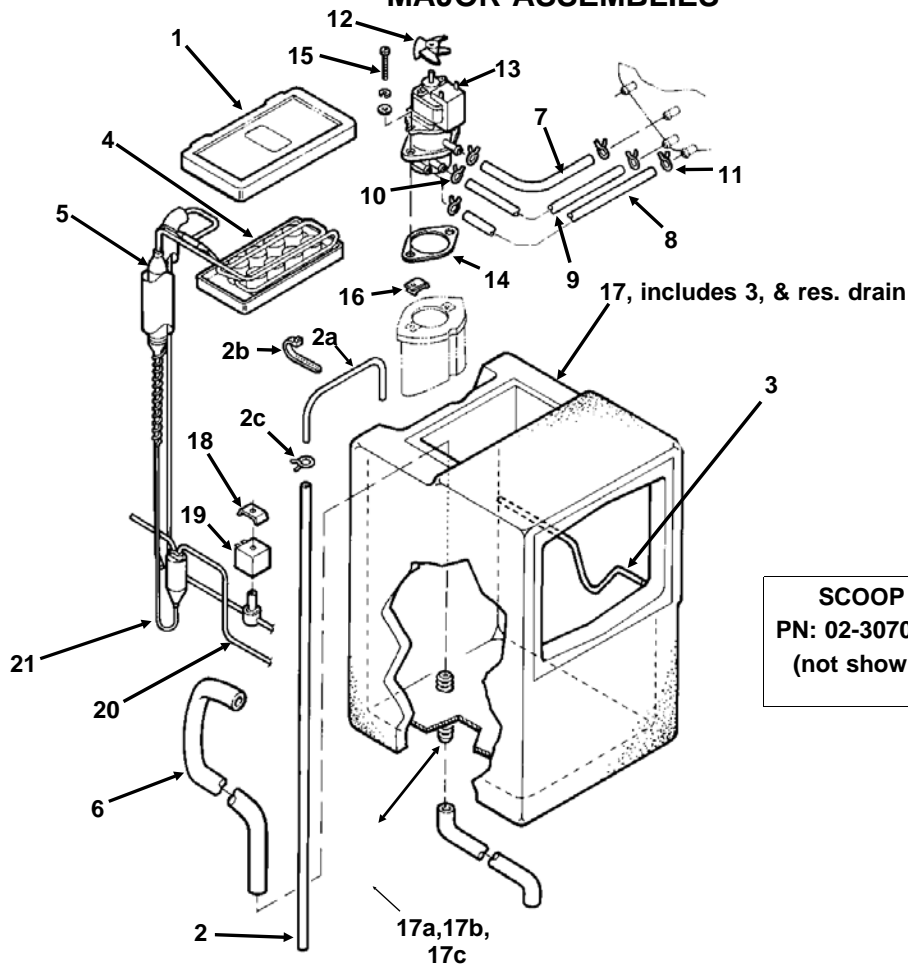
CABINET



ITEM NUMBER	PART NUMBER	DESCRIPTION	ITEM NUMBER	PART NUMBER	DESCRIPTION
1.	A32117-003	White Door Assembly	10.	15-0799-01	Hinge
	A32117-010	Black door assembly	11.	15-0799-02	Hinge
2.	13-0826-01	Gasket (white)	13.	02-3141-01	Knob, Bin Thermo
	13-0826-03	Gasket (grey)	14.	A34877-002	Cont Box cover - white
3.	A29043-001	Alum. Door Handle (white)		A34877-003	Cont Box cover - black
	A29043-003	Alum. Door Handle, (black)	15.	03-1404-07	Screw (3)
4.	03-1607-01	Head Screw (2)	16.	02-2243-02	Kickplate - black
5.	15-0730-01	Nameplate strip (white)	17.	A29102-001	Rear Panel
	15-0730-02	Nameplate strip (black)	18.	03-1404-08	Screw (9)
6.	15-0648-01	Alum. Hinge Fill Plate, Rt.	19.	02-2481-01	Plug (6) (white)
	15-0648-02	Alum. Hinge Fill Plate, Lt.		02-2481-02	Plug, black
7.	03-1418-24	Screw (10)	20.	A38803-021	Cabinet (white)
8.	13-0828-01	Gasket (white)		A38803-022	Cabinet (black)
	13-0828-02	Gasket (grey)			for flat head screws, use began w/sn 05111320015862
8a	03-1419-08	Screw	21.	A26787-001	Insulation (in Bag)
8b	02-2701-01	Spacer	22.	12-2571-01	Power cord & wire harness
9.	03-1419-26	Screw, black	23	03-1431-00	Screw, pan head
	03-1419-29	Screw, white		03-1419-29	Flat head screw, white

DCE33 SERVICE PARTS

MAJOR ASSEMBLIES

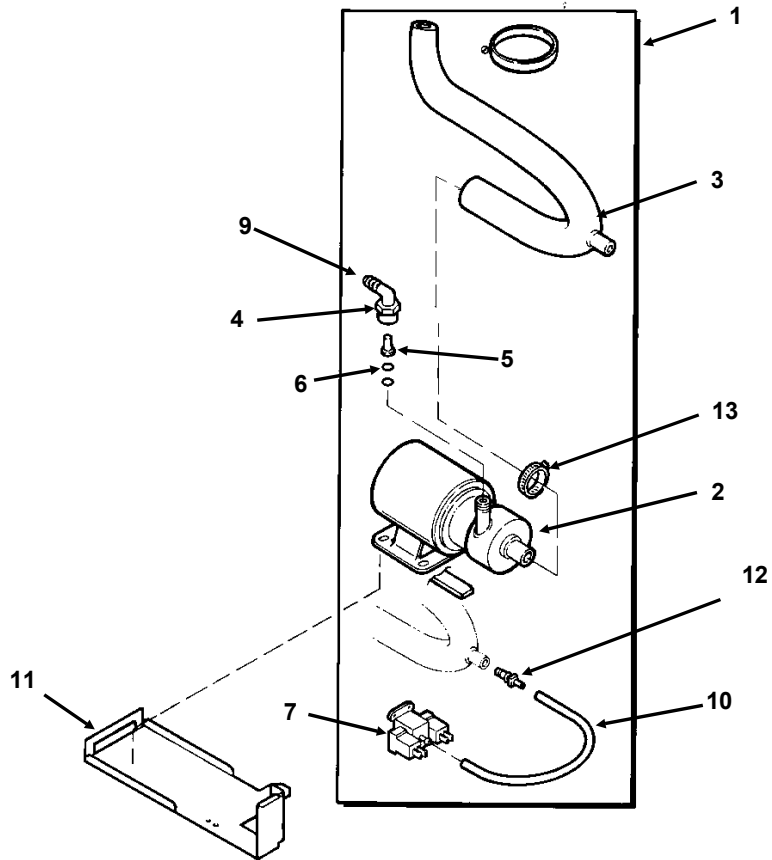


SCOOP
PN: 02-3070-01
(not shown)

ITEM NUMBER	PART NUMBER	DESCRIPTION			
1.	02-2274-01	Platen Cover	14.	13-0687-00	Gasket
2.	13-0674-01	Tube, 37"	15.	03-1719-01	Screw
2a	A27027-001	Copper inlet tube	16.	no longer used	Speed Nut (2)
2b	no number	Tube holder	17.	A36930-020	Bin Assembly, includes reservoir drain hose & drain fittings
2c	02-1727-01	Hose clamp	17a	02-3323-01	Drain fitting (foamed in bin)
3.	A34816-001	Bin Thermostat Bracket	17b	13-0617-13	O-Ring
4.	02-3489-20	Evaporator, does NOT include suction line and accumulator	17c	03-1394-05	Pal nut
5.	A36699-020	Evaporator, Complete	18	12-2569-03	Clip, Hot Gas Valve
6.	13-0899-01	Res. drain hose	19.	12-2569-02	Coil, Hot Gas Valve
7.	13-0674-16	Tube, 5/8" Req. 4.25"			replaces coils that have encapsulated wires
8.	13-0674-15	Tube, 1/2", Req. 3.25"			11-0562-22
9.	13-0674-15	Tube, 1/2", Req. 3-5/8"			Coil, hot gas valve
10.	02-1775-02	Clamp (2)			replaces coils that have terminals
11.	02-0534-01	Clamp (4)	20.	11-0562-21	Hot Gas Valve kit
12.	02-1719-00	Fan Blade	21	02-3490-01	Drier
13.	A30625-001	Spray Pump			

DCE33 SERVICE PARTS

Drain Pump Components



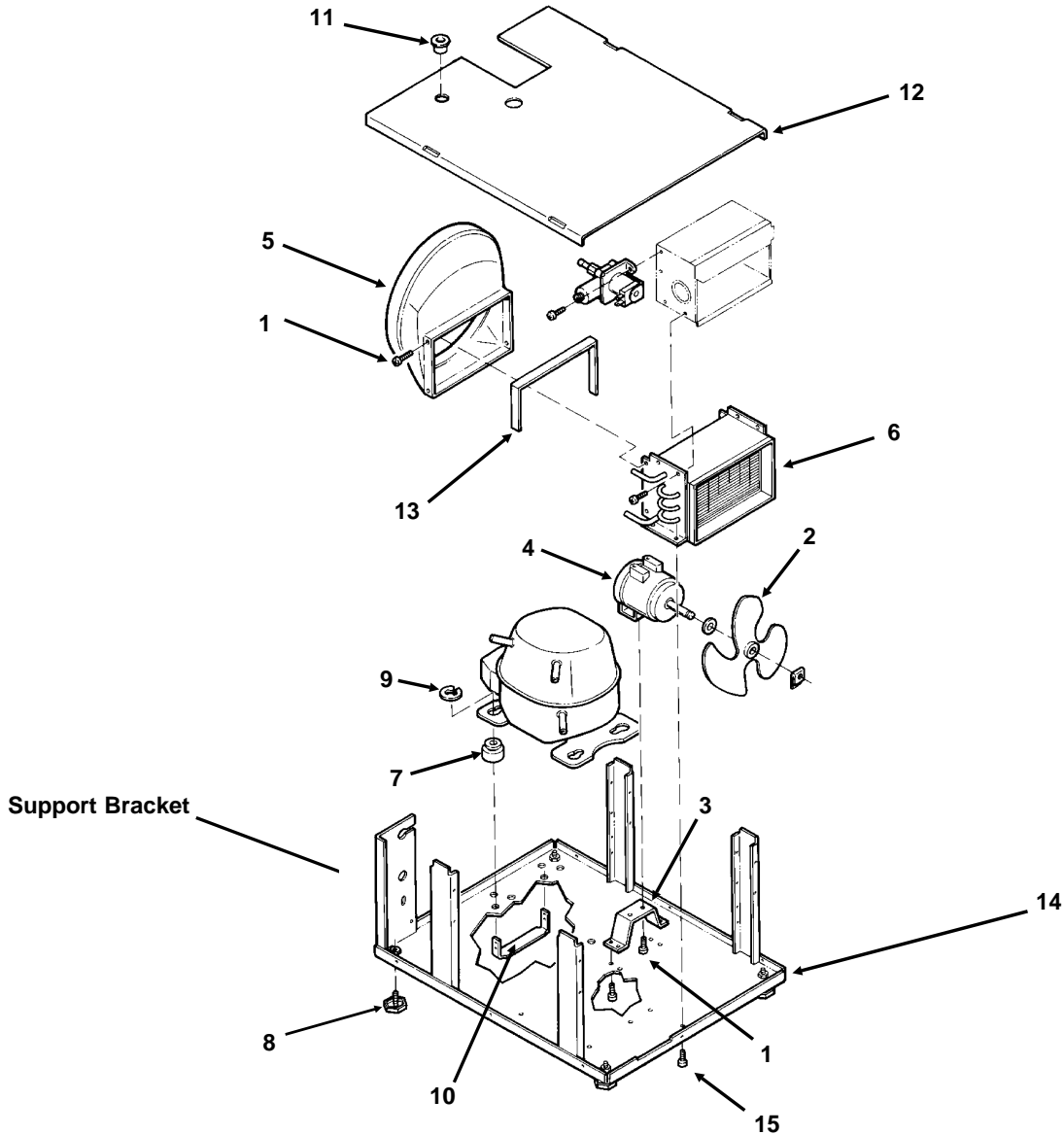
ITEM NUMBER	PART NUMBER	DESCRIPTION
1.	A36892-020	Drain Pump Kit, use to convert any DCE33 gravity model to pump type. Pump must be ordered separately.
2	12-2503-21	Drain pump only, use to replace drain pumps or w/kit to convert.

Pump Kit Service Parts

3	02-3369-01	Inlet hose
4	02-3522-01	Elbow
5	02-3374-01	Check valve
6	13-0617-08	O-ring
7	11-0504-01	Pressure switch
8	obsolete	Impeller & housing kit
9	A37334-001	Discharge hose
10	05-0591-01	Switch hose
11	A36746-001	Mounting bracket
12	02-3406-01	Barbed connector
13	02-2814-11	Clamp
14	12-2580-01	Harness

DCE33 SERVICE PARTS

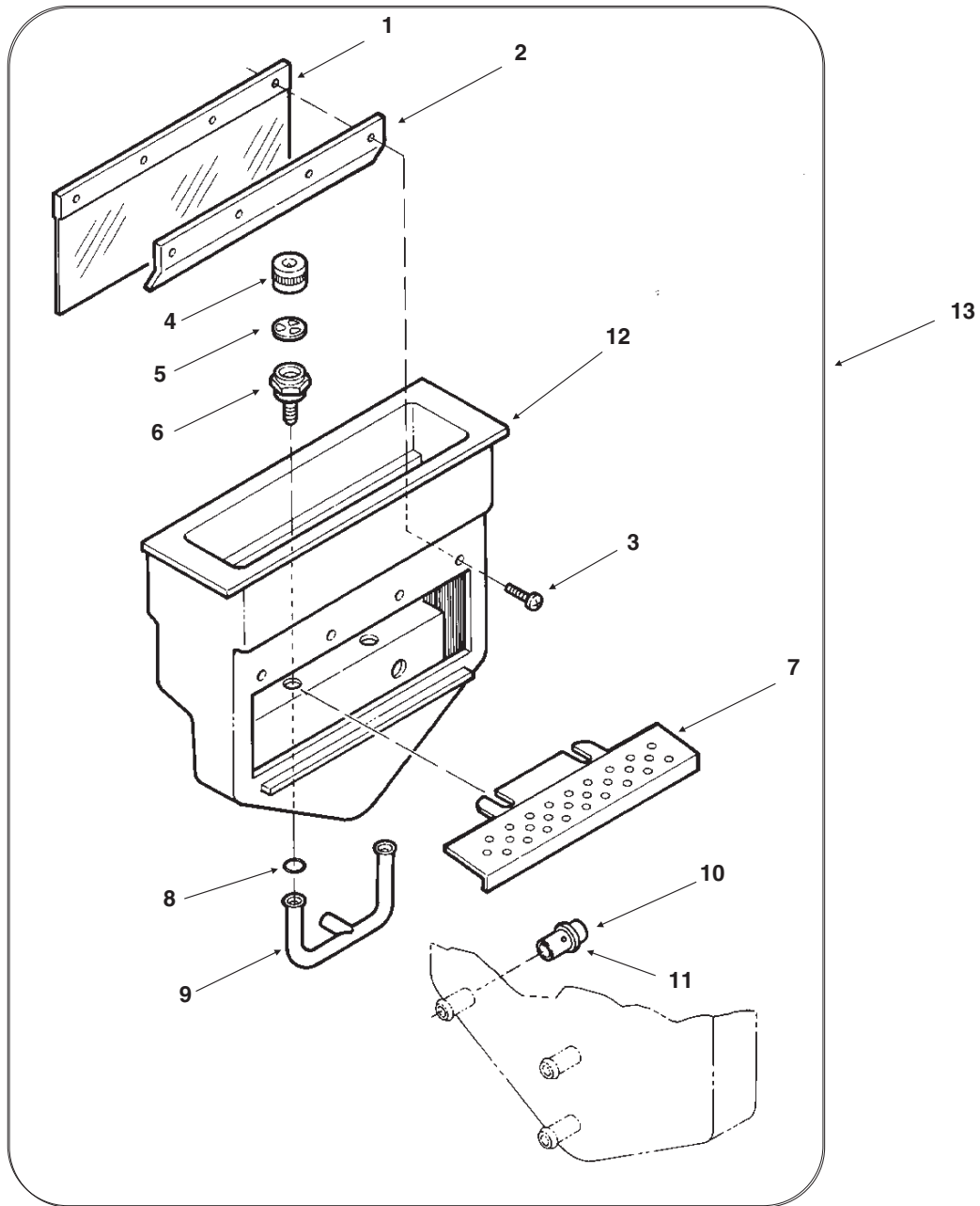
CONDENSING UNIT



ITEM NUMBER	PART NUMBER	DESCRIPTION	ITEM NUMBER	PART NUMBER	DESCRIPTION
1.	03-1404-08	Screw (4)	11	12-1213-10	Bushing
2.	18-3710-01	Fan Blade	12	A37732-001	Upper base plate
3.	A28798-001	Fan Motor Bracket	13	13-0609-00	Foam tape
4.	12-2396-21	Fan Motor	14	A28921-001	Lower base plate
	18-8752-10	Blade pad		A38638-001	Lower base plate
	18-8752-11	Blade nut		use began w/sn 05111320015862	
5.	02-2871-01	Fan Shroud		Support brackets part of item 12	
6.	18-3729-01	Condenser	15	03-1531-01	Screw
7.	18-4700-28	Grommet			
8.	03-1608-01	Leg Leveler			
9.	03-1407-08	Washer			
	03-3821-01	Clip			
10.	A29015-001	Bracket			

DCE33 SERVICE PARTS

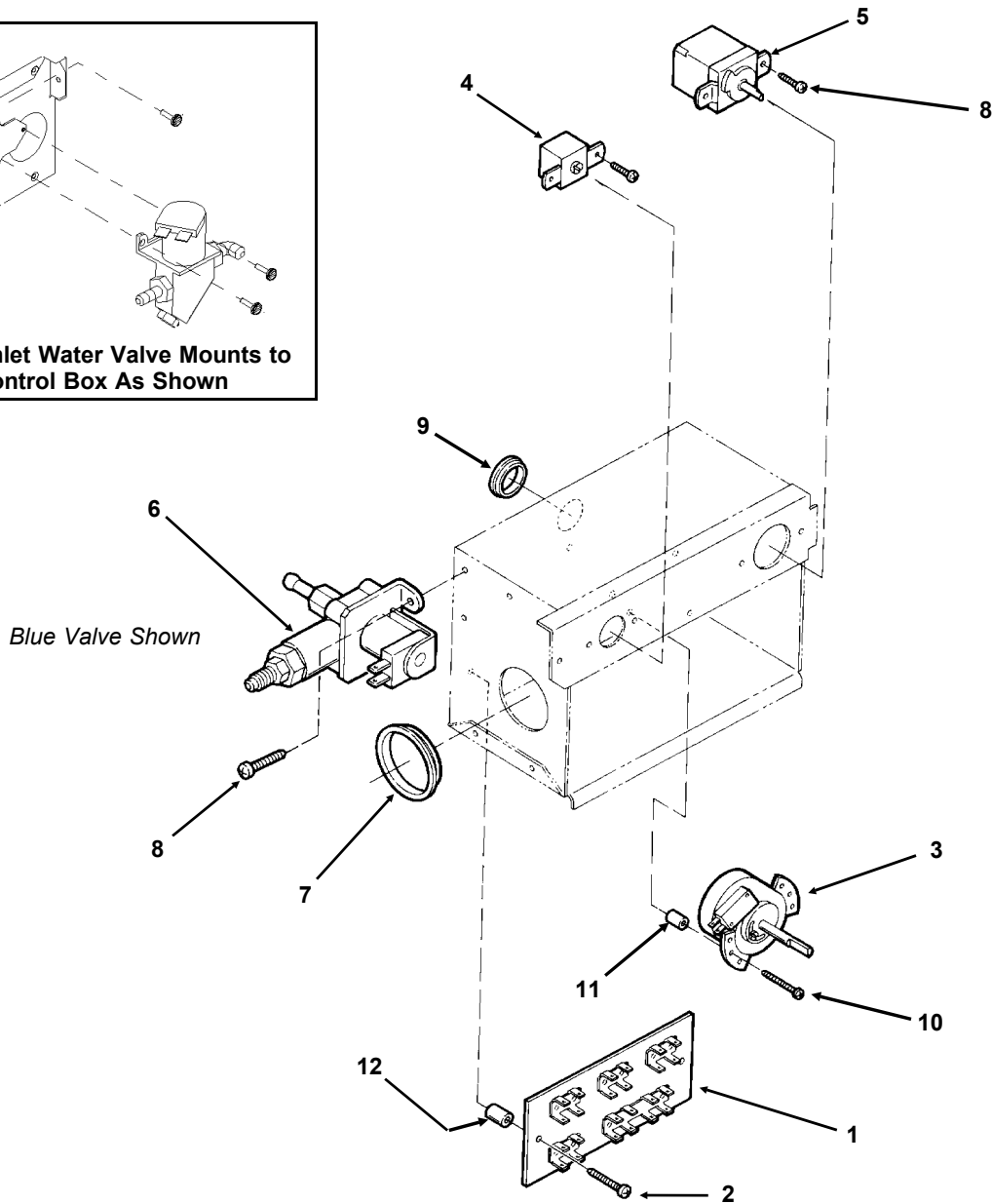
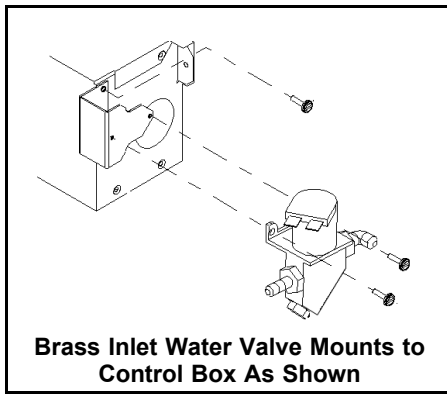
RESERVOIR



ITEM NUMBER	PART NUMBER	DESCRIPTION	ITEM NUMBER	PART NUMBER	DESCRIPTION
1.	02-2479-21	Curtain	8.	13-0617-08	O-ring
2.	A24155-001	Curtain stiffener	9.	02-2704-01	Spray Bar Assembly
3.	03-1404-16	Screw	10.	05-0593-01	SS nipple
4.	02-1841-00	Nozzle	11.	13-0617-01	O-ring
5.	A09543-000	Spinner	12.	02-1923-01	Bin Insert
6.	02-1840-00	Jet Base	13	A22532-000	Bin insert assy
7.	A22518-000	Cube Chute			

DCE33 SERVICE PARTS

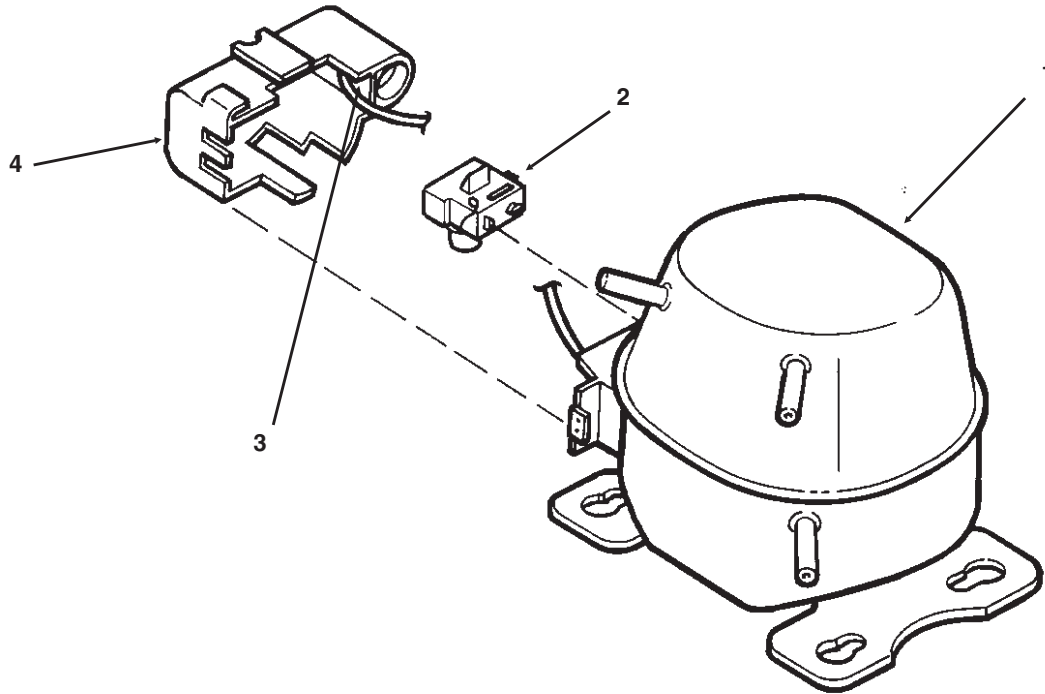
CONTROL BOX



ITEM NUMBER	PART NUMBER	DESCRIPTION	ITEM NUMBER	PART NUMBER	DESCRIPTION
1.	A25981-001	Terminal Board	7.	12-1213-12	Bushing
2.	03-1638-01	Screw	8.	03-1403-17	Screw
3.	12-1980-21	Timer And Switch	9.	12-1213-04	Snap bushing
4.	11-0503-21	Cube Size Control	10.	03-1638-02	Screw
5.	11-0407-21	Bin Level Control	11.	02-2242-06	Stand off
6.	02-3141-01	Knob for item 5	12.	02-2242-05	Stand off
	12-2907-21	Inlet Water Valve Kit (includes new fittings)			
	12-2907-31	Coil only for brass body valve			
	12-2410-31	Coil only for plastic body valve			

DCE33 SERVICE PARTS

COMPRESSOR



ITEM NUMBER	PART NUMBER	DESCRIPTION
1.	18-8776-21	Compressor Kit, Includes Relay, Overload, Instructions
2.	18-8776-51	Relay
3.	18-8776-52	Overload
4.	18-8776-54	Cover

DCE33 SERVICE PARTS

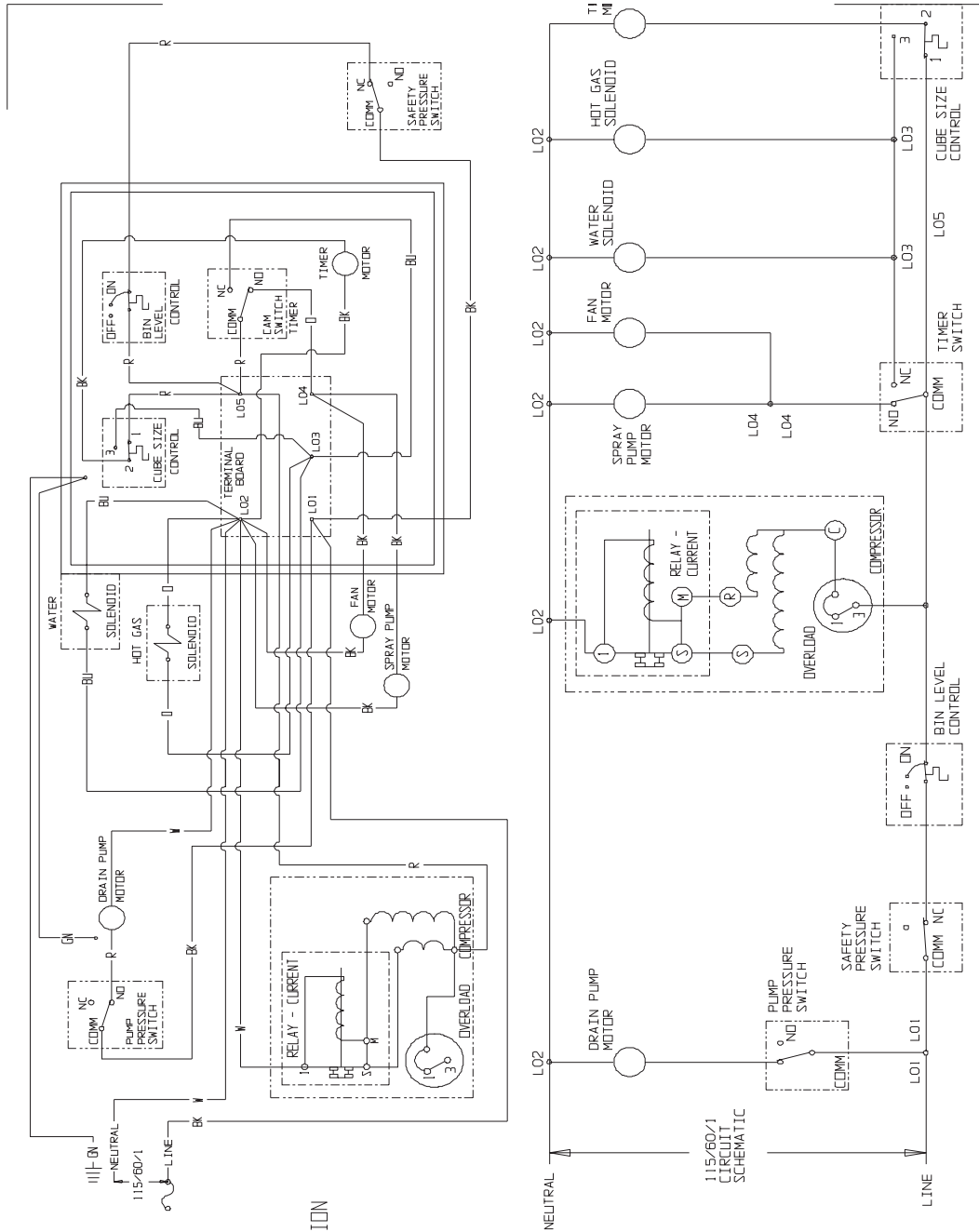
Kit Parts

K-SS Door Sleeve Kit

02-3846-01	Sleeve
02-3847-01	Handle
03-1403-50	Screw for handle
03-1407-06	Washer
03-1410-03	Lockwasher
03-3811-01	Screw

DCE33 SERVICE PARTS

Drain Pump Model Wiring Diagram



A36943-001

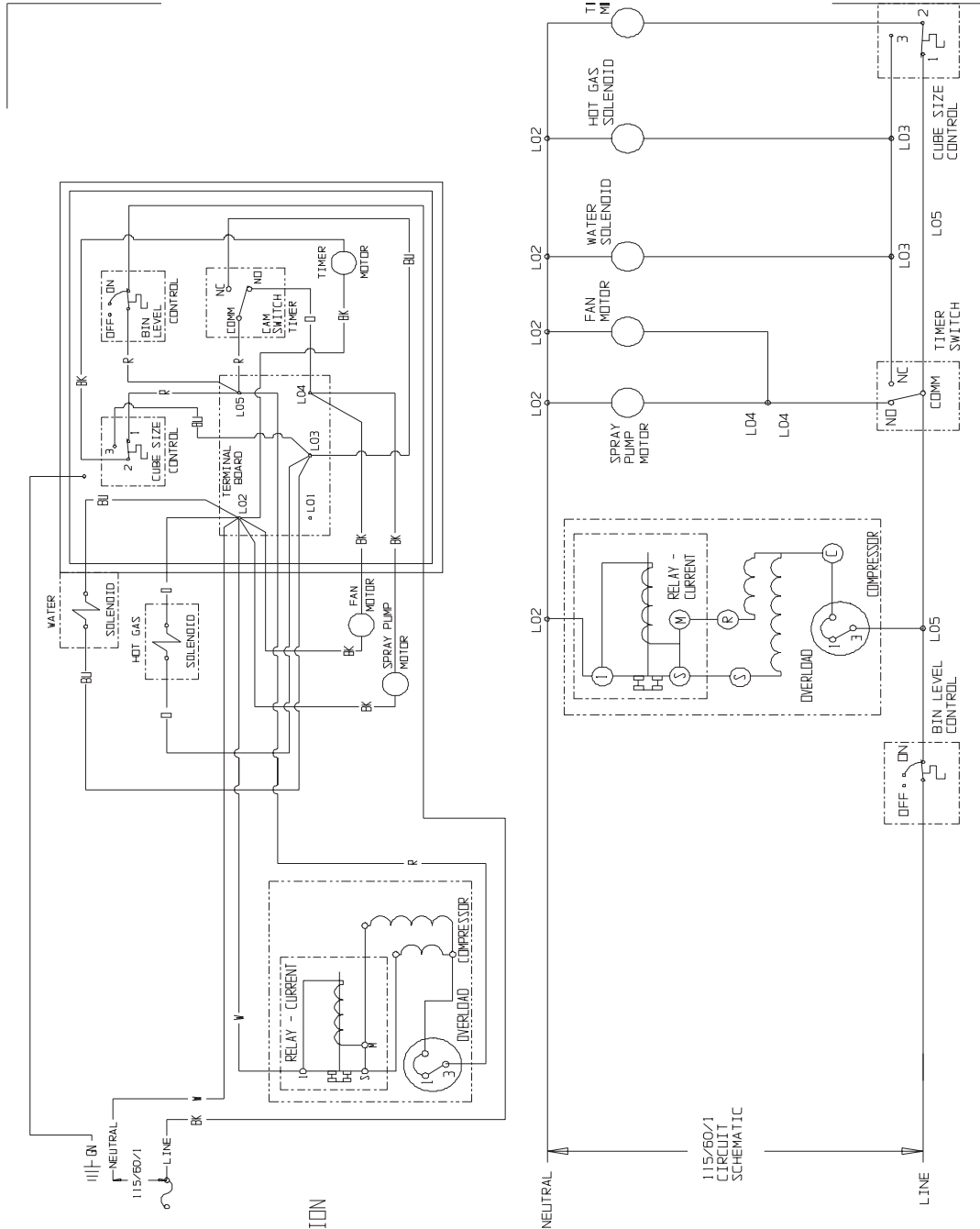
THIS UNIT SHOWN IN THE TIMED PORTION OF THE FREEZING CYCLE WITH THE DRAIN PUMP IN OPERATION

THIS UNIT MUST BE GROUNDED

- INSTALLATION INSTRUCTIONS**
1. UNIT MUST BE INSTALLED LEVEL AND IN ACCORDANCE WITH LOCAL CODES.
 2. CONNECT A POTABLE WATER LINE TO 1/4" IPT ON WATER VALVE LOCATED IN THE FRONT OF THE MACHINE.
 3. ROUTE 3/8" I.D. FLEXIBLE HOSE FROM LEFT FRONT OF MACHINE PER INSTRUCTIONS FOR DC33PA IN SERVICE MANUAL.
 4. CONNECT THE ELECTRICAL POWER CORD TO A PROPERLY WIRED AND GROUNDED RECEPTICAL.
 5. BY TURNING THE ON/OFF SWITCH/BIN LEVEL CONTROL DIAL IN A CLOCKWISE DIRECTION TO APPROXIMATE OPERATING RANGE MARKING, UNIT IS NOW IN AUTOMATIC OPERATION.

DCE33 SERVICE PARTS

Gravity Drain Model Wiring Diagram



A36940-001

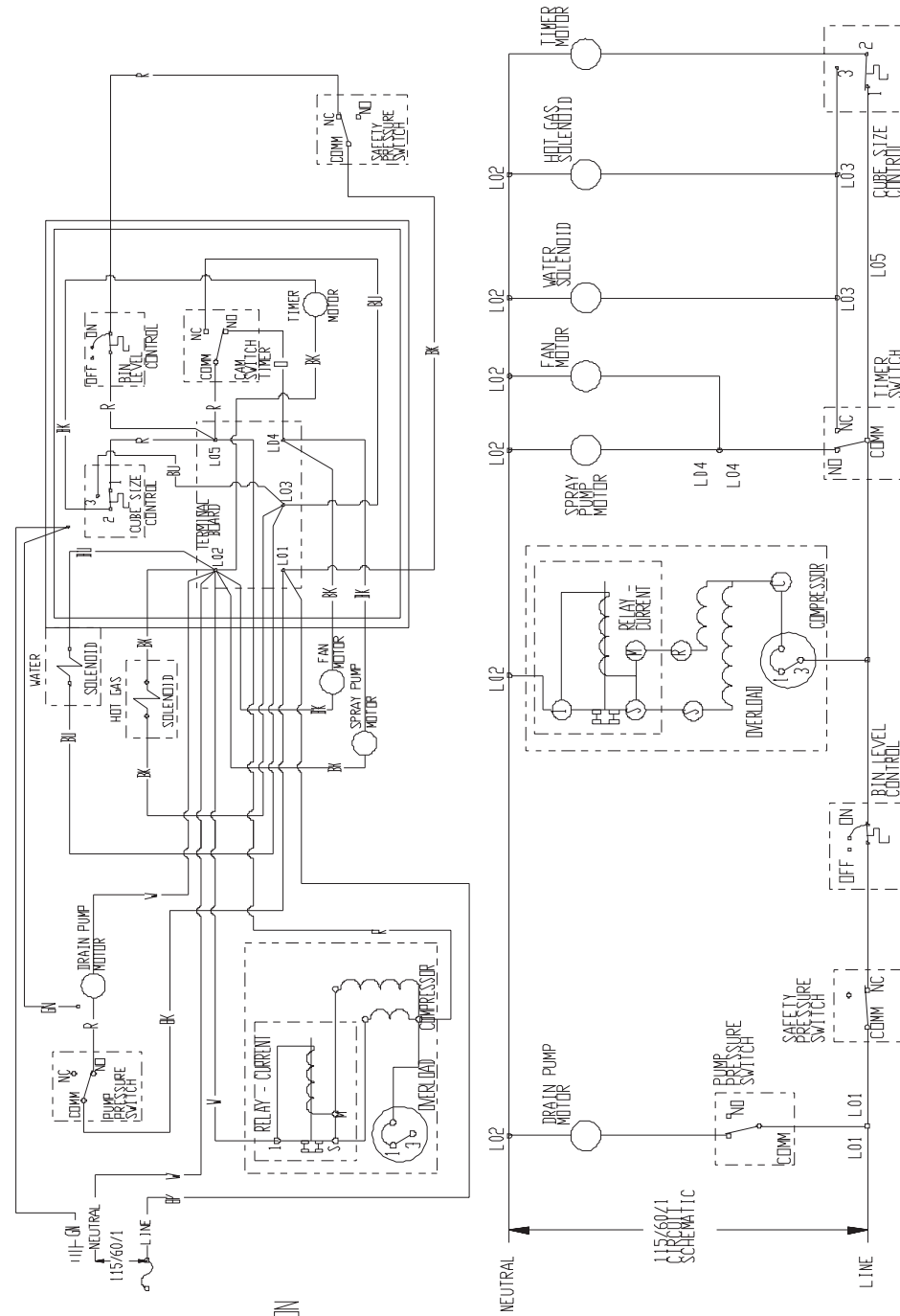
THIS UNIT SHOWN IN THE TIMED PORTION OF THE FREEZING CYCLE WITH THE DRAIN PUMP IN OPERATION

THIS UNIT MUST BE GROUNDED

- INSTALLATION INSTRUCTIONS**
1. UNIT MUST BE INSTALLED LEVEL AND IN ACCORDANCE WITH LOCAL CODES.
 2. CONNECT A POTABLE WATER LINE TO 1/4" NPT ON WATER VALVE LOCATED IN THE FRONT OF THE MACHINE.
 3. ROUTE 3/8" I.D. FLEXIBLE HOSE FROM LEFT FRONT OF MACHINE PER INSTRUCTIONS FOR DCE33PA IN SERVICE MANUAL.
 4. CONNECT THE ELECTRICAL POWER CORD TO A PROPERLY WIRED AND GROUNDED RECEPTICAL.
 5. BY TURNING THE ON/OFF SWITCH/BIN LEVEL CONTROL DIAL IN A CLOCKWISE DIRECTION TO APPROXIMATE OPERATING RANGE MARKING, UNIT IS NOW IN AUTOMATIC OPERATION.

DCE33 SERVICE PARTS

Drain Pump Model Wiring Diagram after August 2000



A36943-001

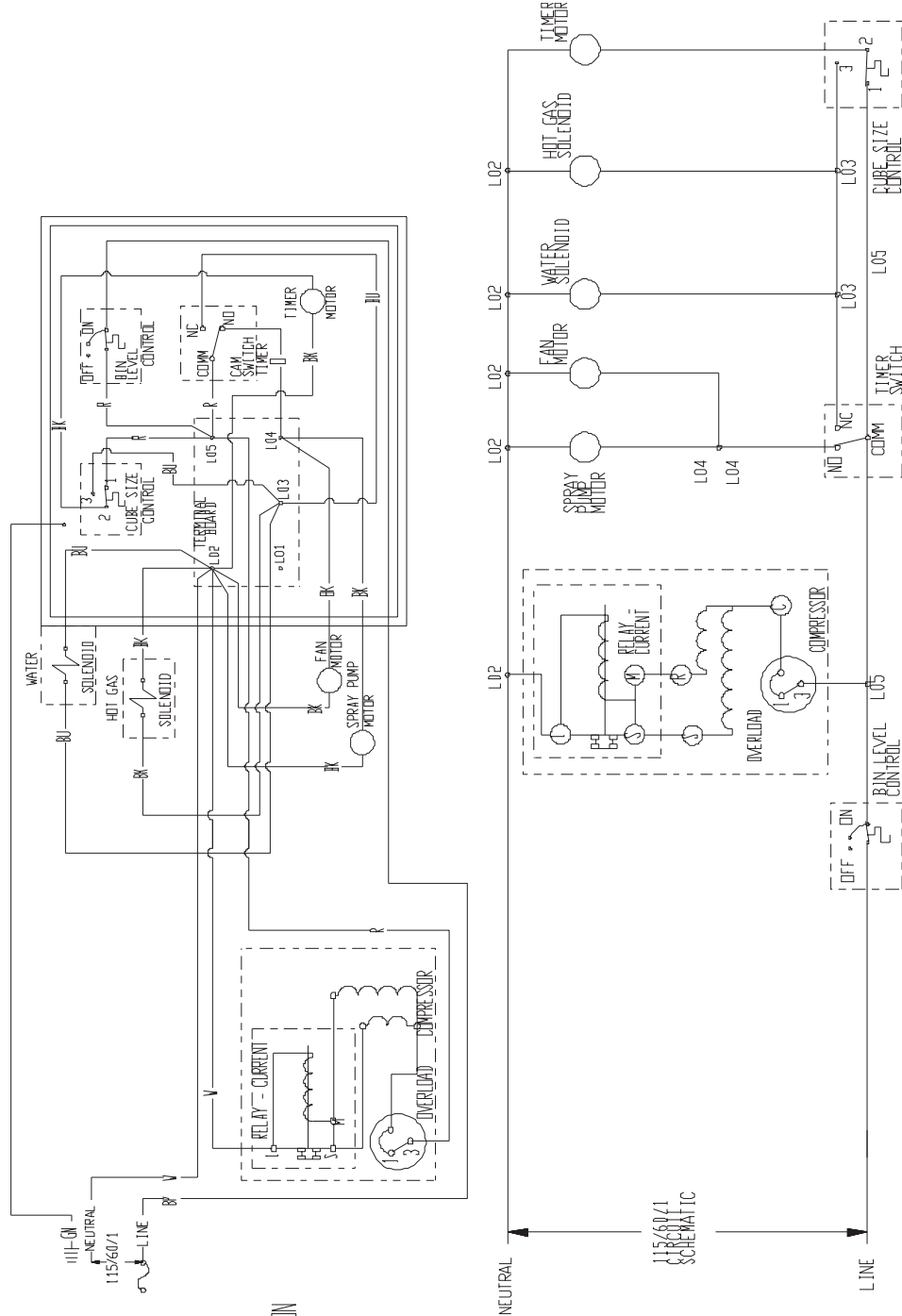
THIS UNIT SHOWN IN THE TIMED PORTION OF THE FREEZING CYCLE WITH THE DRAIN PUMP IN OPERATION

THIS UNIT MUST BE GROUNDED

- INSTALLATION INSTRUCTIONS**
1. UNIT MUST BE INSTALLED LEVEL AND IN ACCORDANCE WITH LOCAL CODES.
 2. CONNECT A WATER SUPPLY LINE TO 1/4" IPT BY WATER VALVE LOCATED IN THE FRONT OF THE MACHINE.
 3. ROUTE 3/8" I.D. FLEXIBLE HOSE FROM LEFT FRONT OF MACHINE PER INSTRUCTIONS FOR DCE33A IN SERVICE MANUAL.
 4. CONNECT THE ELECTRICAL POWER CORD TO A PROPERLY WIRED AND GROUNDED RECEPTICAL.
 5. BY TURNING THE INVOKE SWITCH/ON LEVEL CONTROL RELAY AND BIN LEVEL CONTROL TO LOCK/WHILE AUTOMATIC OPERATION.

DCE33 SERVICE PARTS

Gravity Drain Model Wiring Diagram after August 2000



A36940-001

THIS UNIT SHOWN IN THE TIMED
PORTION OF THE FREEZING CYCLE
WITH THE DRAIN PUMP IN OPERATION

THIS UNIT MUST BE GROUNDED

- INSTALLATION INSTRUCTIONS**
1. UNIT MUST BE INSTALLED LEVEL AND IN ACCORDANCE WITH LOCAL CODES.
 2. CONNECT A POTABLE WATER LINE TO 1/4" WPT IN WATER VALVE LOCATED IN THE FRONT OF THE WASHING MACHINE.
 3. ROUTE 3/8" I.D. FLEXIBLE HOSE FROM WATER IN SERVICE HANDLE.
 4. CONNECT THE ELECTRICAL POWER CORD TO A PROPERLY WIRED AND GROUNDED RECEPTICAL.
 5. BY TURNING THE ON/OFF SWITCH/BIN LEVEL CONTROL DIAL IN A CLOCKWISE DIRECTION TO APPROXIMATE OPERATING RANGE MARKING, UNIT IS NOW IN AUTOMATIC OPERATION.