

# CMS1402 SERVICE PARTS

This parts lists shows the service parts for the CMS1402 air cooled and the CMS1402 water cooled.

A "B" model was introduced in early 1992, the major change was the front panels.

Check the model number of the machine to be certain of obtaining the correct part.

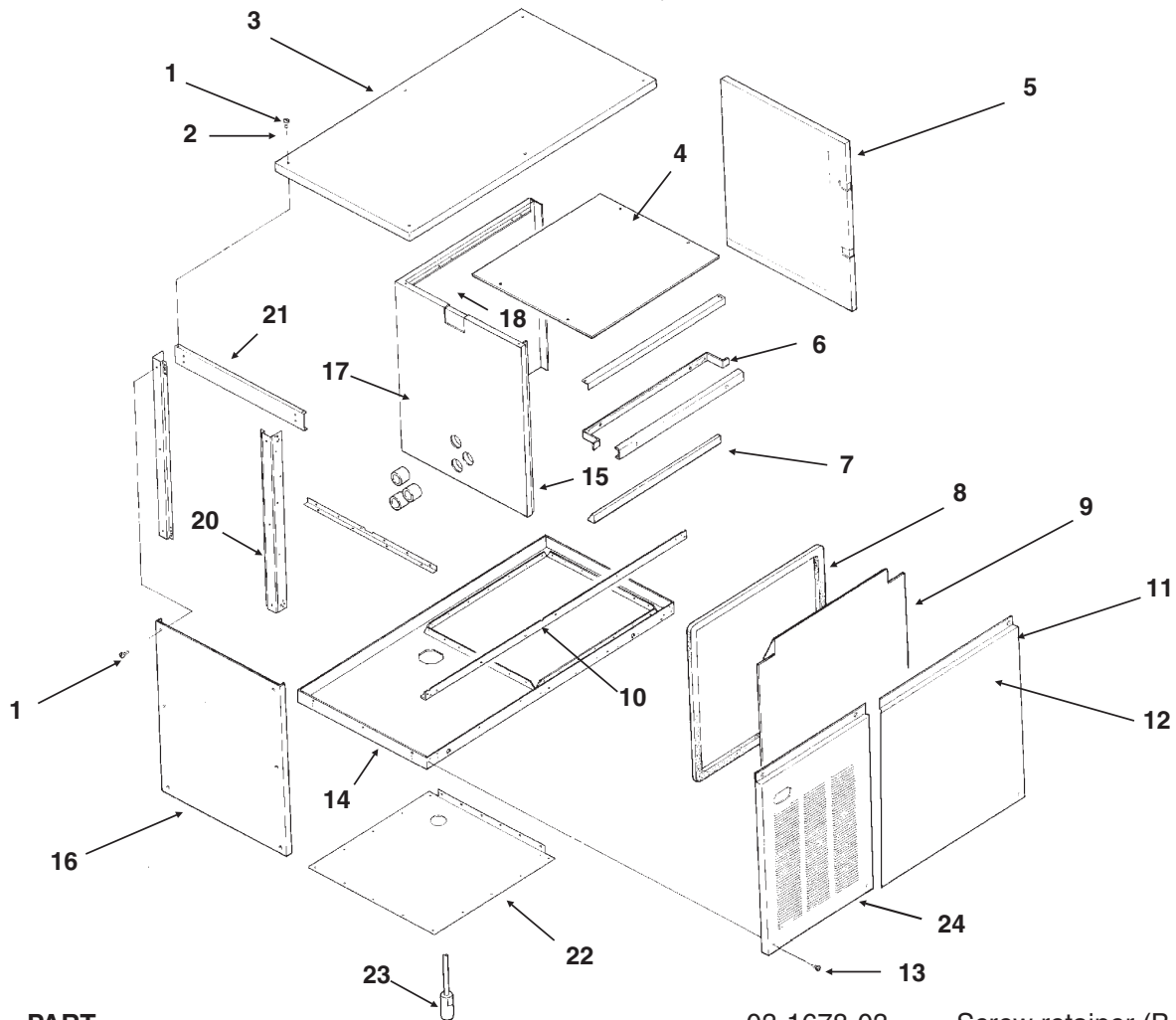
Included at the back of the parts list are the wiring diagrams.

## Table of Contents

|                                      |        |
|--------------------------------------|--------|
| Cabinet . . . . .                    | Page 2 |
| Refrigeration System . . . . .       | Page 3 |
| Air and Water Cooled Parts . . . . . | Page 4 |
| Water System . . . . .               | Page 5 |
| Control Box . . . . .                | Page 6 |
| BH900 Bin . . . . .                  | Page 7 |
| Wiring Diagrams . . . . .            | Page 8 |

# CMS1402 SERVICE PARTS

## CABINET PARTS



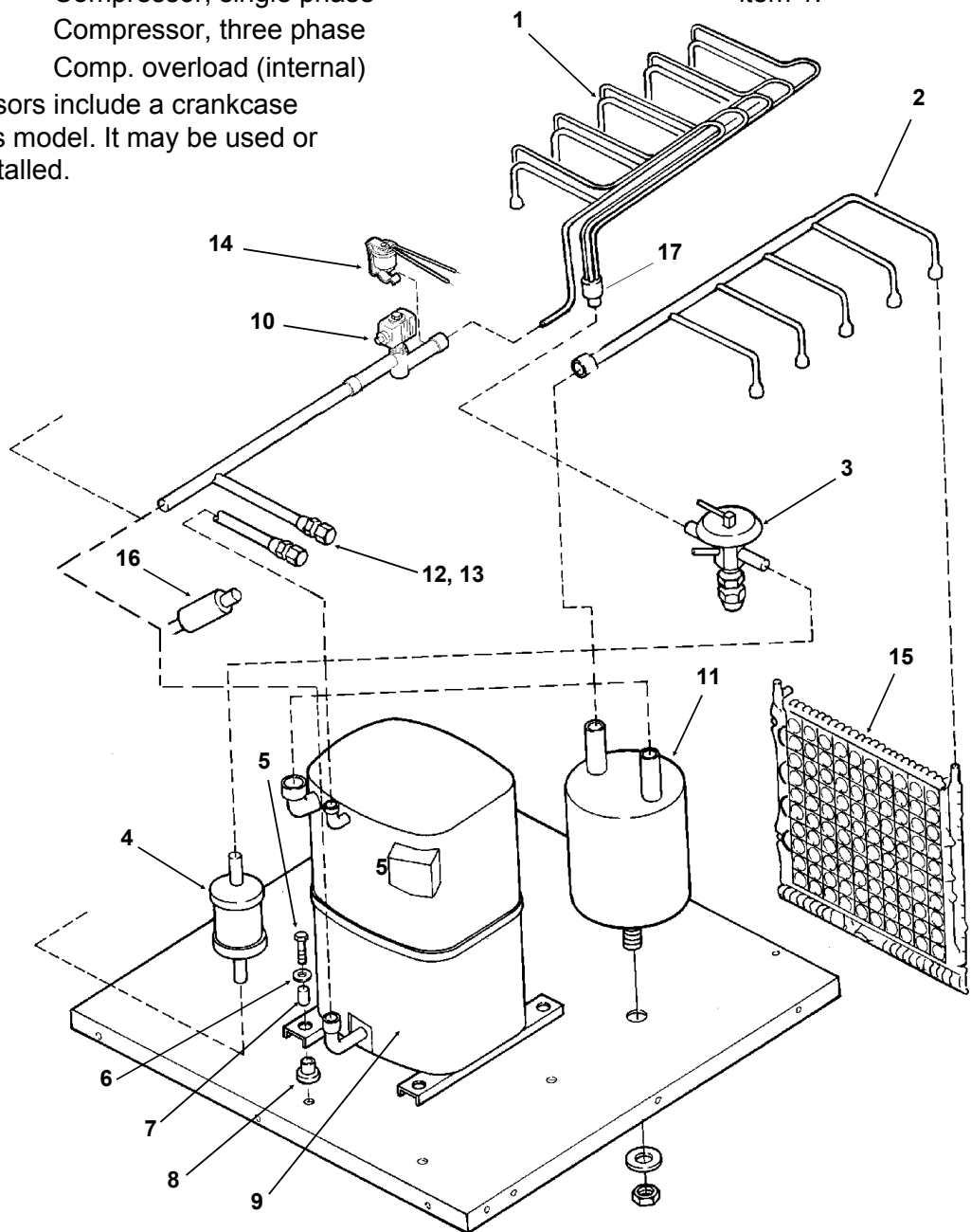
| ITEM NUMBER | PART NUMBER | DESCRIPTION                                |    |            |                                  |
|-------------|-------------|--|----|------------|----------------------------------|
| 1           | 03-1531-01  | Screws                                     | 12 | 03-1678-03 | Screw retainer (B model)         |
| 2           | 03-1417-27  | Washers                                    | 13 | 02-3252-01 | Plastic bumper (B model)         |
| 3           | A35074-001  | Panel top (enamel)                         | 14 | 15-0711-01 | Emblem                           |
|             | A35074-002  | Panel top (stainless)                      | 15 | 03-1404-19 | Screws                           |
| 4           | A33364-001  | Liner top                                  | 16 | A35110-001 | Base assembly                    |
| 5           | A29164-003  | Right panel (enamel)                       | 17 | 02-2533-01 | Liner, left side                 |
|             | A29164-002  | Right panel (stainless)                    | 18 | A35075-001 | Left side panel, enamel          |
| 6           | A29204-001  | Brace front                                | 19 | A35075-002 | Left side panel, stainless       |
| 7           | 02-2532-01  | Liner cap                                  | 20 | no number  | Retainer                         |
| 8           | 13-0595-00  | Gasket (order per foot)                    | 21 | 02-2531-01 | Liner back                       |
| 9           | 02-2795-01  | Liner, front panel                         | 22 | 02-2534-01 | Right side liner                 |
| 10          | 03-1678-01  | Speed clip (B model)                       | 23 | A35069-001 | Corner post                      |
| 11          | A35080-021  | A model front panel (enamel)               | 24 | A35066-001 | Brace                            |
|             | A35080-022  | A model front panel, (stainless)           |    | 02-3151-01 | Plastic cover                    |
|             | A35401-022  | B model right front panel, stainless       |    | A34908-021 | Transducer                       |
|             | A35401-021  | B model right front panel, painted         |    | A35400-001 | B model left frnt pnl, painted   |
|             |             | Front panels include insulation and liner. |    | A35400-002 | B model left frnt pnl, stainless |
|             | 03-1678-04  | Thumb screw (B model)                      |    | 03-1678-02 | Panel screw (B model)            |
|             |             |  |    | 02-3252-01 | Plastic bumper (B model)         |

# CMS1402 SERVICE PARTS

## REFRIGERATION SYSTEM

| ITEM NUMBER | PART NUMBER | DESCRIPTION               | ITEM NUMBER | PART NUMBER | DESCRIPTION                      |
|-------------|-------------|---------------------------|-------------|-------------|----------------------------------|
| 1           | A35122-001  | Evap. manifold assy       | 10          | 12-2290-22  | Hot gas valve                    |
| 2           | A31816-001  | Manifold assy             |             | 02-3231-03  | Hot gas valve filter             |
| 3           | 16-0816-21  | Expansion valve           | 11          | 16-0817-21  | Accumulator                      |
|             | 13-0617-51  | O-Ring                    | 12          | 16-0560-00  | Valve core                       |
|             | 02-2920-01  | Foam insulation           | 13          | 16-0563-00  | Valve cap                        |
| 4           | 02-3319-02  | Drier                     | 14          | 12-2300-07  | Hi temp cut out                  |
| 5           | 03-1405-20  | Screw                     | 15          | A30296-020  | Evaporator plate                 |
| 6           | 03-1407-07  | Washer                    | 16          | 11-0465-21  | Hi press. cut out (A.C.)         |
| 7           | 18-2200-27  | Sleeve                    |             | 11-0463-22  | Hi press. cut out (W.C.)         |
| 8           | 18-2200-28  | Grommet                   | 17          | 16-0790-01  | Distributor, included in item 1. |
| 9           | 18-8864-22  | Compressor, single phase  |             |             |                                  |
|             | 18-8864-21  | Compressor, three phase   |             |             |                                  |
|             | no number   | Comp. overload (internal) |             |             |                                  |

Replacement compressors include a crankcase heater, not used on this model. It may be used or disconnected when installed.

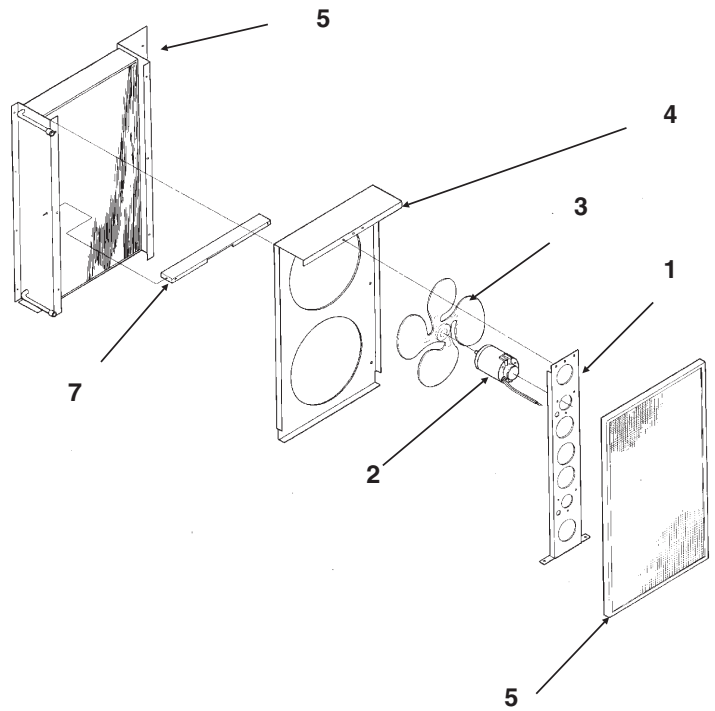


# CMS1402 SERVICE PARTS

## CONDENSING ASSEMBLIES

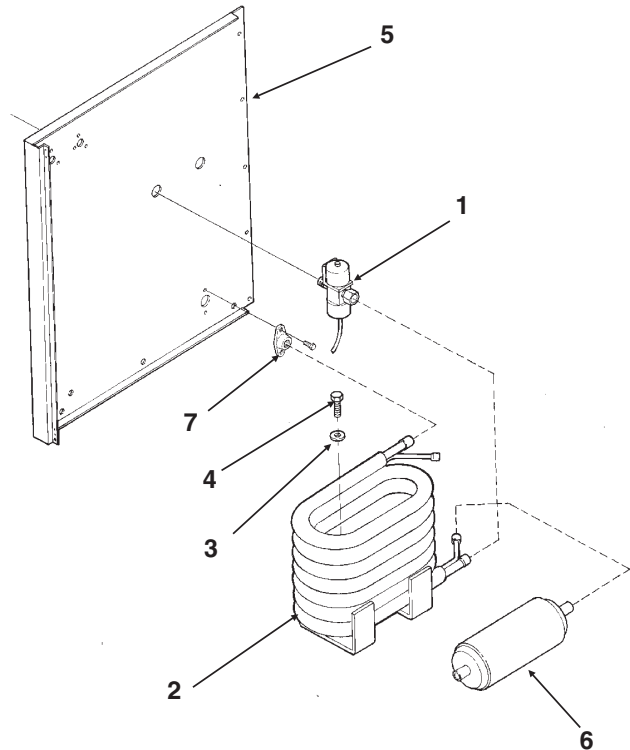
### AIR COOLED MODELS

| ITEM NUMBER | PART NUMBER | DESCRIPTION       |
|-------------|-------------|-------------------|
| 1           | A35103-001  | Fan Bracket       |
| 2           | 18-5105-02  | Fan Motor         |
| 3           | 18-8503-01  | Fan Blade         |
| 4           | A35104-001  | Condenser Shroud  |
| 5           | 18-8502-01  | Condenser         |
| 6           | 02-3164-01  | Filter            |
| 7           | A35102-001  | Condenser divider |



### WATER COOLED MODELS

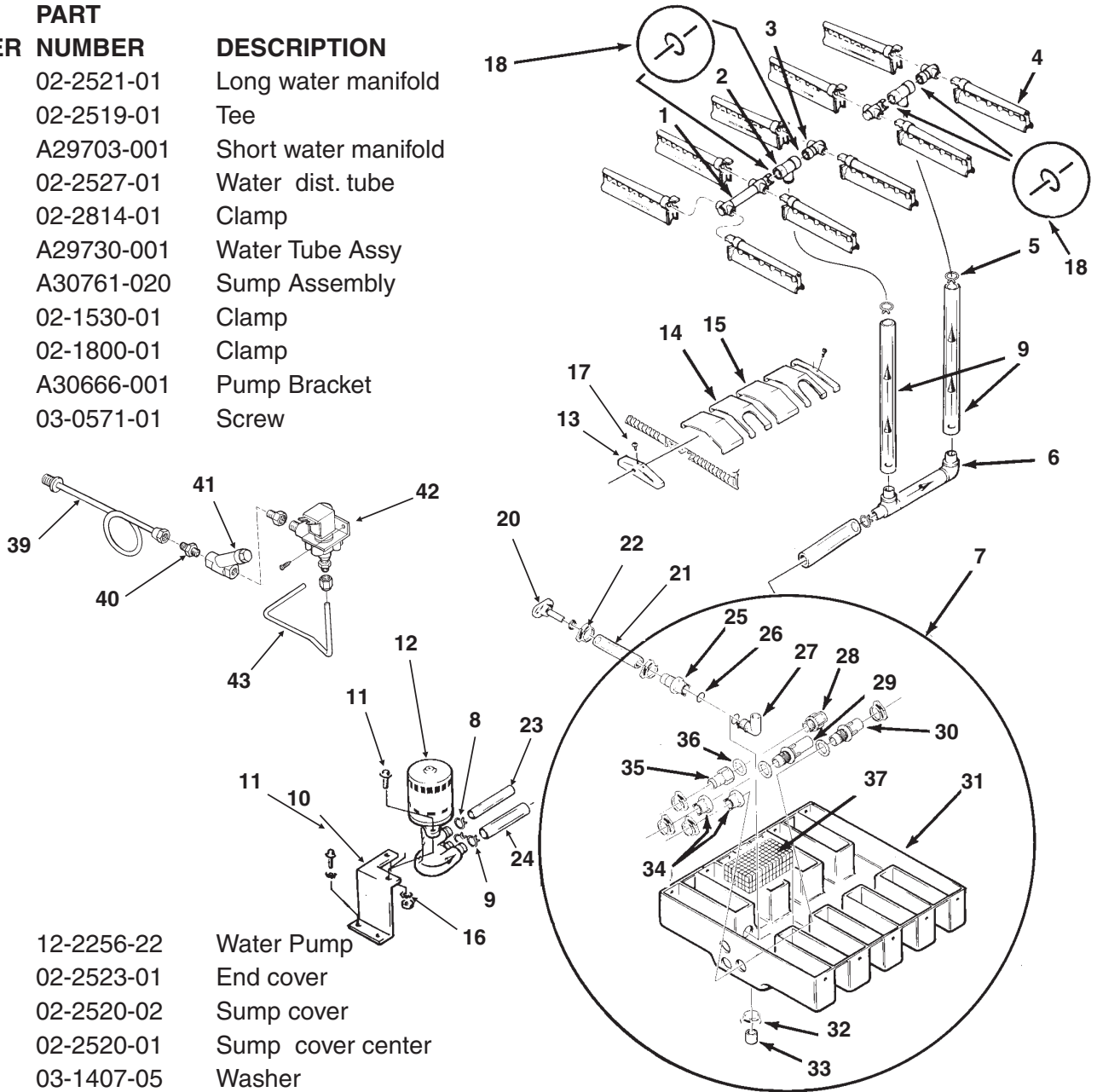
| ITEM NUMBER | PART NUMBER | DESCRIPTION             |
|-------------|-------------|-------------------------|
| 1           | 11-0424-21  | Water Regulator Valve   |
| 2           | 18-6302-01  | Condenser, Water Cooled |
| 3           | 03-1407-05  | Washer                  |
| 4           | 03-0571-01  | Screw                   |
| 5           | A35070-001  | Left back panel         |
| 6           | 02-2628-01  | Receiver                |
| 7           | A31828-001  | Drain casting           |



# CMS1402 SERVICE PARTS

## WATER SYSTEM

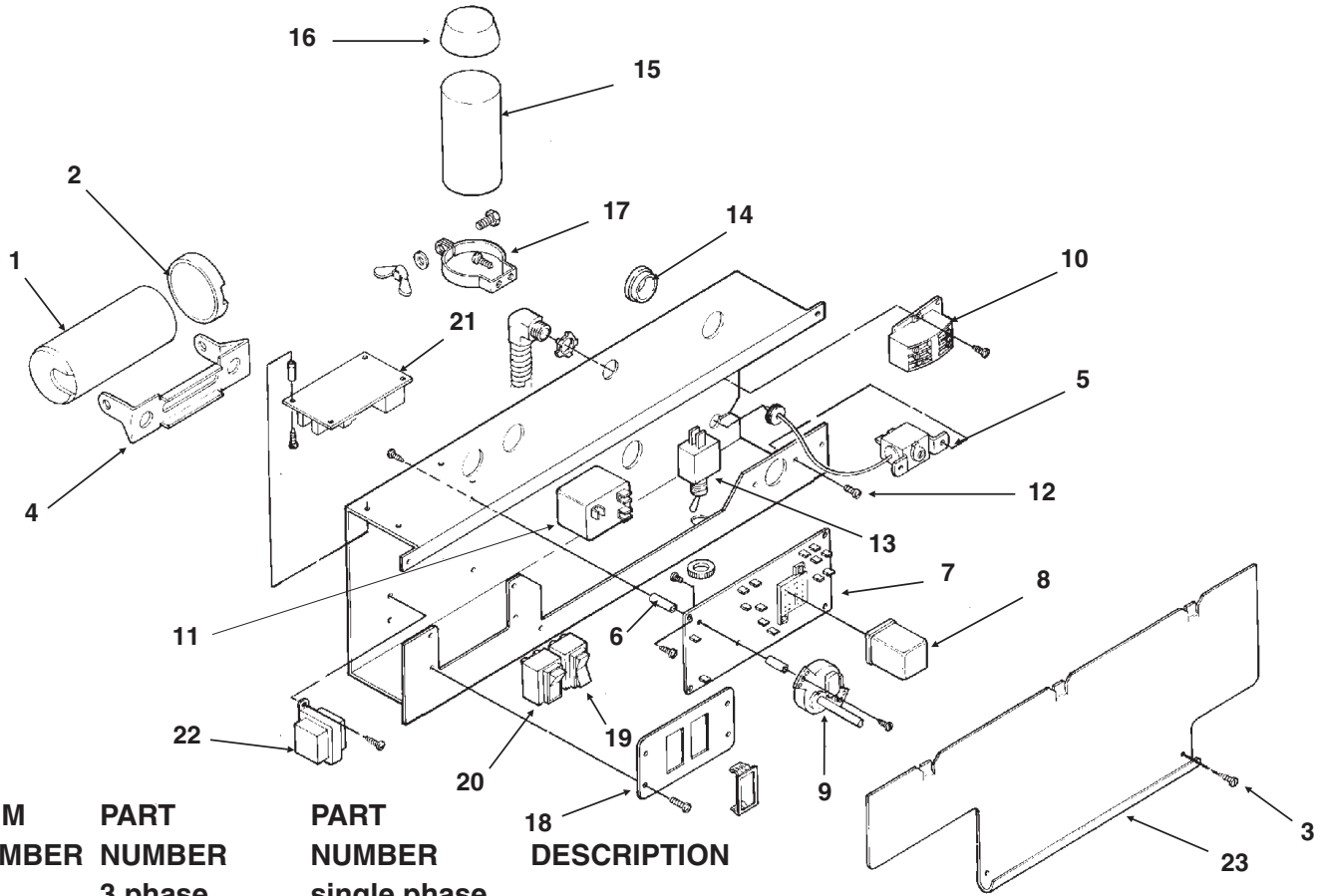
| ITEM NUMBER | PART NUMBER | DESCRIPTION          |
|-------------|-------------|----------------------|
| 1           | 02-2521-01  | Long water manifold  |
| 2           | 02-2519-01  | Tee                  |
| 3           | A29703-001  | Short water manifold |
| 4           | 02-2527-01  | Water dist. tube     |
| 5           | 02-2814-01  | Clamp                |
| 6           | A29730-001  | Water Tube Assy      |
| 7           | A30761-020  | Sump Assembly        |
| 8           | 02-1530-01  | Clamp                |
| 9           | 02-1800-01  | Clamp                |
| 10          | A30666-001  | Pump Bracket         |
| 11          | 03-0571-01  | Screw                |



|    |            |                   |
|----|------------|-------------------|
| 12 | 12-2256-22 | Water Pump        |
| 13 | 02-2523-01 | End cover         |
| 14 | 02-2520-02 | Sump cover        |
| 15 | 02-2520-01 | Sump cover center |
| 16 | 03-1407-05 | Washer            |
| 17 | 03-1531-01 | Screw             |
| 18 | 13-0617-48 | O-ring            |
| 19 | 13-0674-07 | Hose (18.5")      |
| 20 | A31757-002 | Drain             |
| 21 | 13-0674-07 | Tube, drain (7")  |
| 22 | 02-2814-12 | Hose clamp        |
| 23 | 13-0674-07 | Tube, need 6.25"  |
| 24 | 13-0674-08 | Tube, need 6.6"   |
| 25 | 02-2606-01 | Female tube       |
| 26 | 13-0617-02 | O-ring            |
| 27 | 02-2125-01 | Elbow             |
| 28 | A29342-001 | Overflow          |
| 29 | 02-2792-01 | Pick Up tube      |

|    |            |                   |
|----|------------|-------------------|
| 30 | 02-2793-01 | Inlet tube        |
| 31 | no number  | sump pan          |
| 32 | 02-1530-01 | Clamp             |
| 33 | 13-0796-01 | Rubber cap        |
| 34 | 02-2791-01 | Water inlet nut   |
| 35 | 02-2606-01 | Female tube       |
| 36 | 13-0617-02 | O-ring            |
| 37 | A30760-001 | Screen            |
| 39 | A35119-001 | Water inlet assy. |
| 40 | 16-0791-01 | Half unio         |
| 41 | 16-0162-00 | Strainer          |
| 42 | 12-1646-04 | Inlet water valve |
| 43 | A35117-001 | Tube              |

# CMS1402 SERVICE PARTS

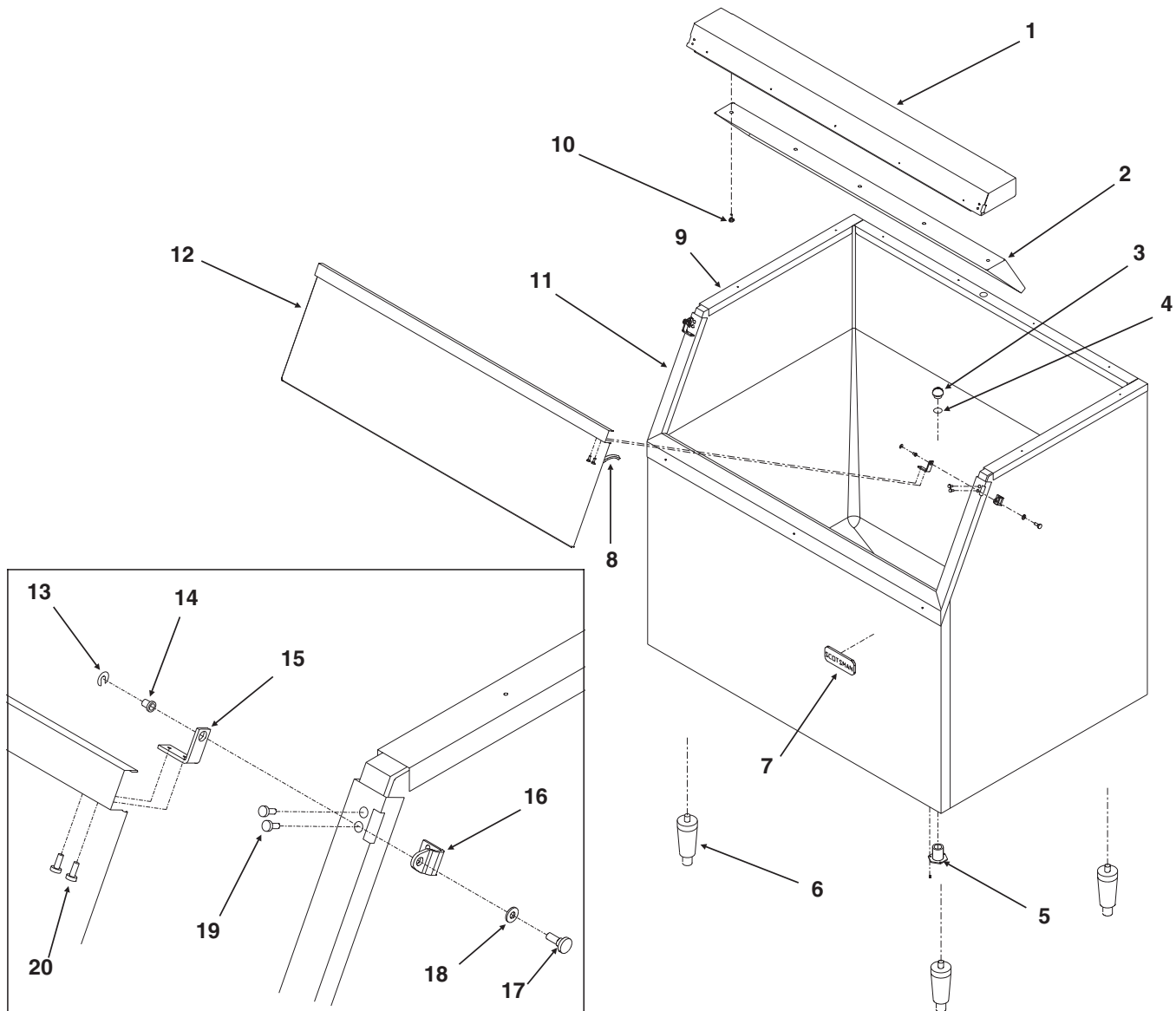


**The Fan Control is located behind control box. 11-0426-22 is the part number**

| ITEM NUMBER | PART NUMBER | PART NUMBER  | DESCRIPTION                             |
|-------------|-------------|--------------|---|
| 3 phase     |             | single phase |   |
| 1           | -           | 18-1901-27   | Start Capacitor                         |
| 2           | -           | 18-8702-01   | Start Cap. Cap                          |
| 3           | -           | 03-1638-03   | Screw                                   |
| 4           | -           | 18-2200-39   | Start cap. bracket                      |
| 5           | 11-0351-22  | same         | Cube Size Control                       |
| 6           | 02-2242-02  | same         | Stand off                               |
| 7           | 12-1912-01  | same         | Circuit board                           |
| 8           | 12-1879-03  | same         | Relay                                   |
| 9           | 12-2628-22  | same         | Timer & Switch                          |
| 10          | 12-0739-02  | 12-2469-02   | Contactor                               |
| 11          | -           | 18-1903-28   | Potential Relay (not illustrated)       |
| 12          | 03-1403-17  | same         | Screw                                   |
| 13          | 12-0426-01  | same         | Comp. Switch                            |
| 14          | -           | 12-1213-12   | Snap busing                             |
| 15          | -           | 18-1902-27   | Run capacitor                           |
| 16          | -           | 13-0666-00   | Terminal cover                          |
| 17          | -           | A34314-001   | Run Cap Bracket                         |
| 18          | 02-3173-01  | same         | Switch plate                            |
| 19          | 12-2414-01  | same         | Wash- Off - Ice switch                  |
| 20          | 12-2411-01  | same         | Bin ice level switch                    |
|             | 12-2402-01  | same         | Wire harness, bin level switch to board |
| 21          | 12-2376-21  | same         | Ice level control circuit board         |
| 22          | 12-2285-22  | same         | Transformer                             |
| 23          | A35082-001  | same         | Control box cover                       |

# CMS1402 SERVICE PARTS

## BH900 ICE STORAGE BIN



| ITEM NUMBER | PART NUMBER | DESCRIPTION              |
|-------------|-------------|--------------------------|
| 1           | A35322-020  | Canopy Assembly          |
| 2           | A35152-001  | Ice Baffle               |
| 3           | 02-2809-01  | Drain Top                |
| 4           | 13-0617-11  | O-ring                   |
| 5           | 02-3201-01  | Drain casting            |
| 6           | KLP2E       | Leg Kit, Black           |
|             | KLP2S       | Leg Kit, Nickel Plated   |
| 7           | 15-0711-01  | Emblem                   |
| 8           | 13-0595-00  | Door gasket( 6.25' reg.) |
| 9           | 19-0503-04  | Bin gasket               |
| 10          | 03-0727-11  | Baffle screw             |
| 11          | A35275-020  | Door frame assy.         |
| 12          | A35323-001  | Door with gasket         |
| 13          | 03-1539-09  | "E" ring                 |

| ITEM NUMBER | PART NUMBER | DESCRIPTION    |
|-------------|-------------|----------------|
| 14          | 02-2380-01  | Hinge bushing  |
| 15          | 02-3195-01  | Door hinge     |
| 16          | 02-3196-01  | Bin hinge      |
| 17          | 02-2806-01  | Shoulder screw |
| 18          | 02-2380-02  | Spacer         |
| 19          | 03-1403-29  | Screw 10-24    |
| 20          | 03-1403-24  | Screw 10-24    |
| 21          | 02-0540-00  | Scoop          |

# CMS1402 SERVICE PARTS

## 208-230/60/3 Air Cooled

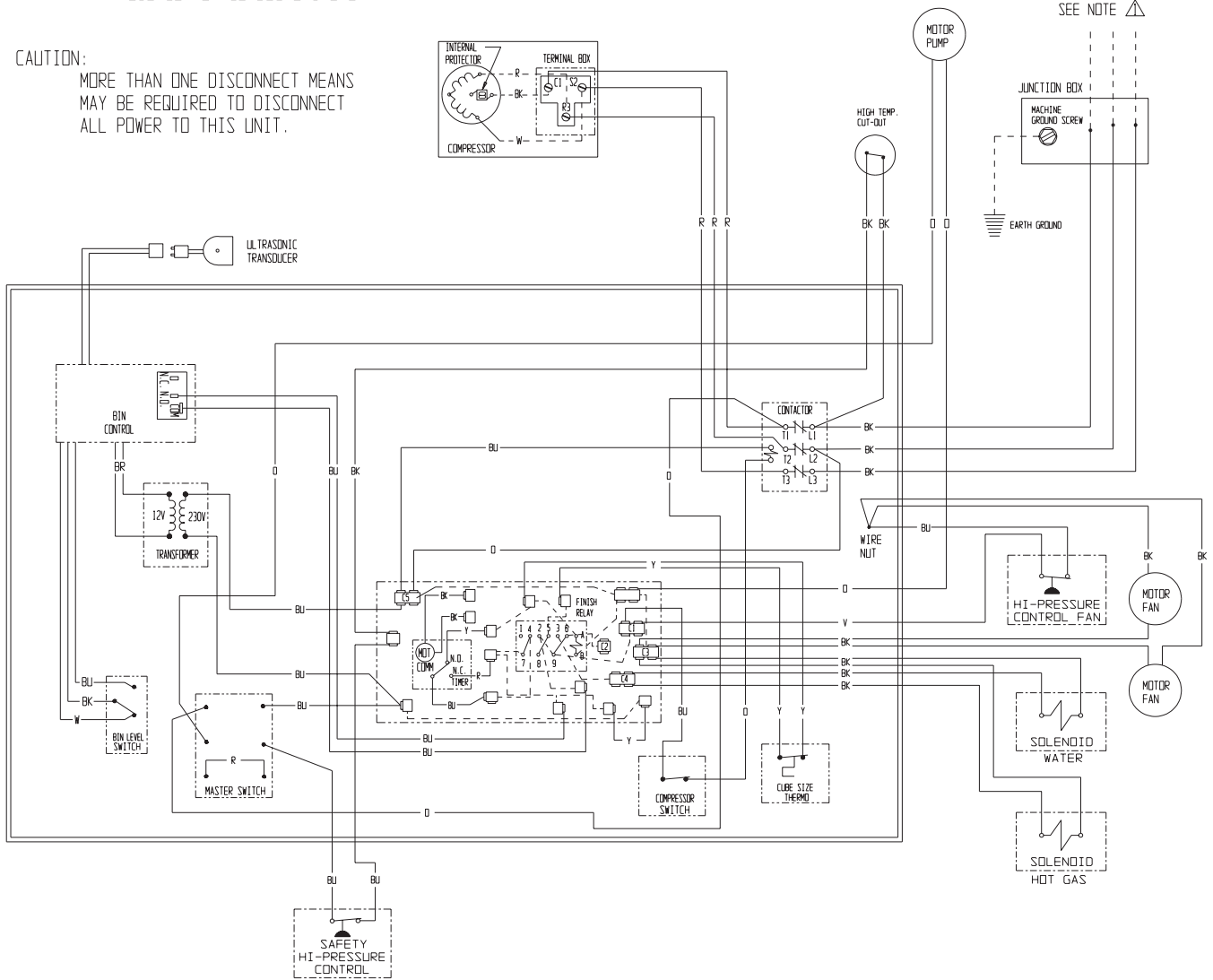
A35439-003

THIS UNIT MUST BE GROUNDED  
USE COPPER CONDUCTORS ONLY

SEE NAMEPLATE FOR  
POWER SUPPLY VOLTAGE  
AND MAX. FUSE SIZE  
SEE NOTE  $\triangle$

**CAUTION:**

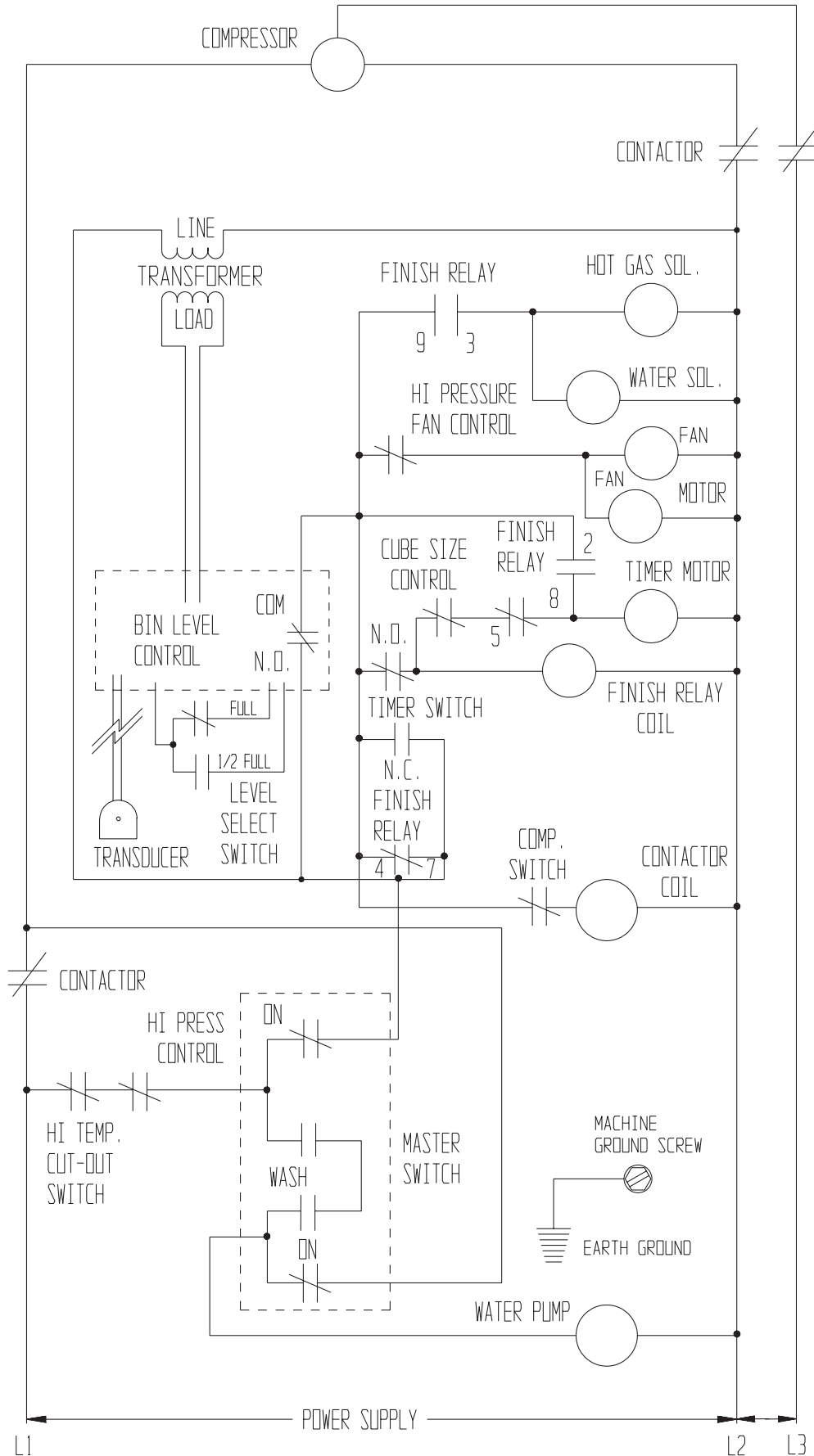
MORE THAN ONE DISCONNECT MEANS  
MAY BE REQUIRED TO DISCONNECT  
ALL POWER TO THIS UNIT.





# CMS1402 SERVICE PARTS

208-230/60/3 Air Cooled



# CMS1402 SERVICE PARTS

## 208-230/60/1 Air Cooled

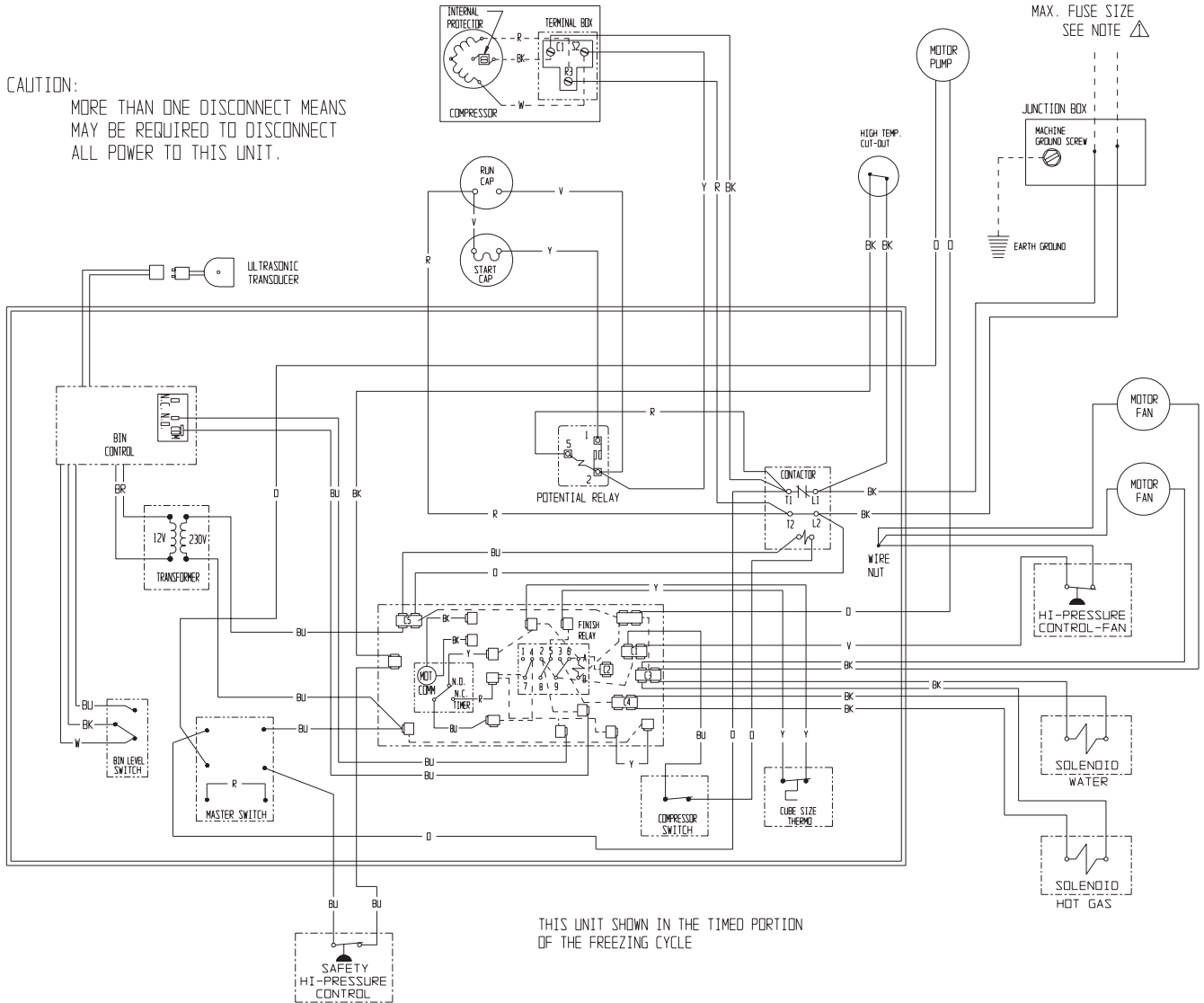
A35303-032

THIS UNIT MUST BE GROUNDED  
USE COPPER CONDUCTORS ONLY

NOTE:  
▲ DASHED LINES INDICATE FIELD WIRING WHICH MUST BE  
INSTALLED IN ACCORDANCE WITH THE NATIONAL ELECTRICAL  
CODE AND ALL STATE AND LOCAL CODES.

CAUTION:  
MORE THAN ONE DISCONNECT MEANS  
MAY BE REQUIRED TO DISCONNECT  
ALL POWER TO THIS UNIT.

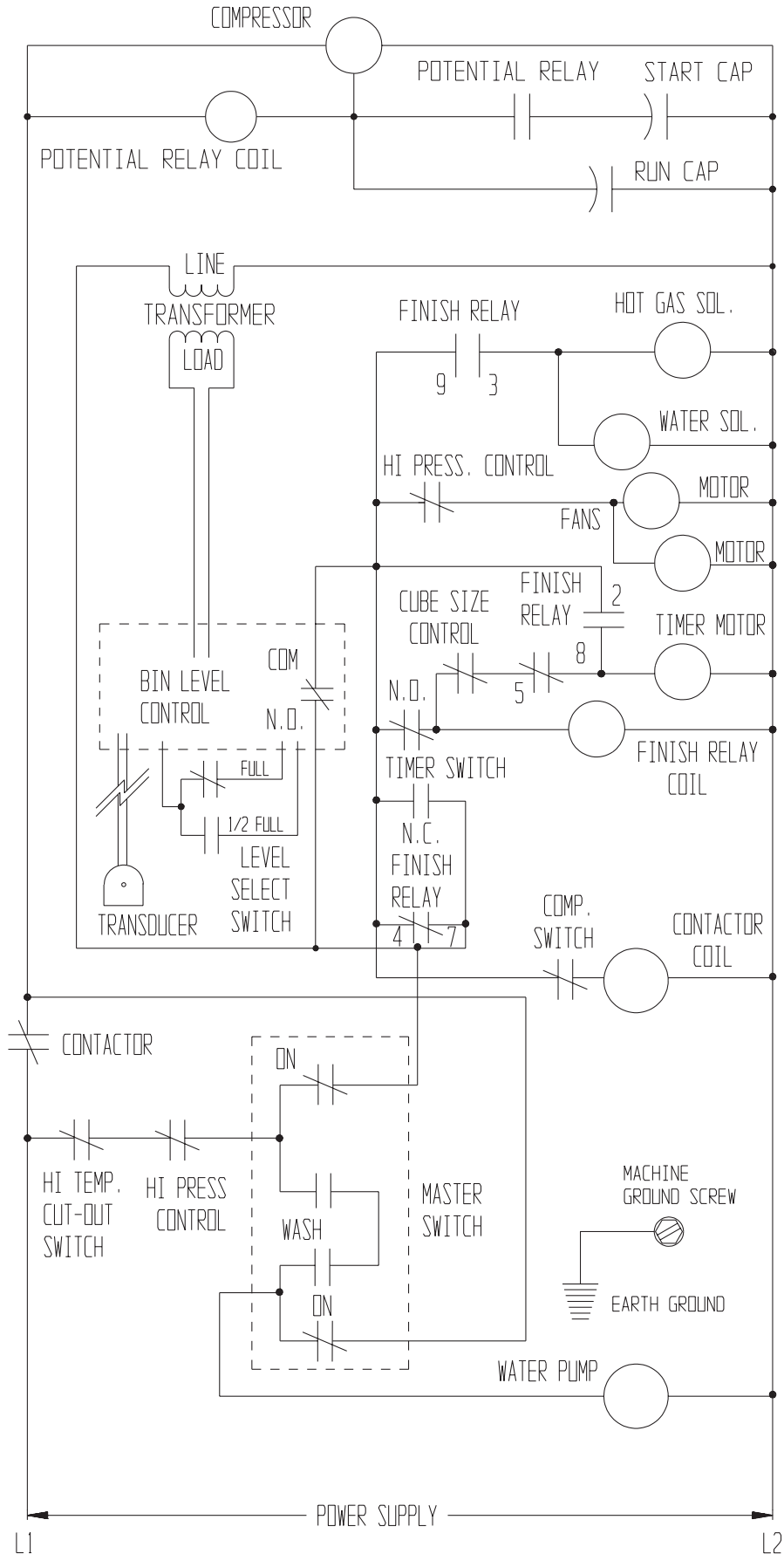
LINE VOLTAGE 208/230/60/1  
SEE NAMEPLATE FOR  
MAX. FUSE SIZE  
SEE NOTE ▲



THIS UNIT SHOWN IN THE TIMED PORTION  
OF THE FREEZING CYCLE

# CMS1402 SERVICE PARTS

## 208-230/60/1 Air Cooled



# CMS1402 SERVICE PARTS

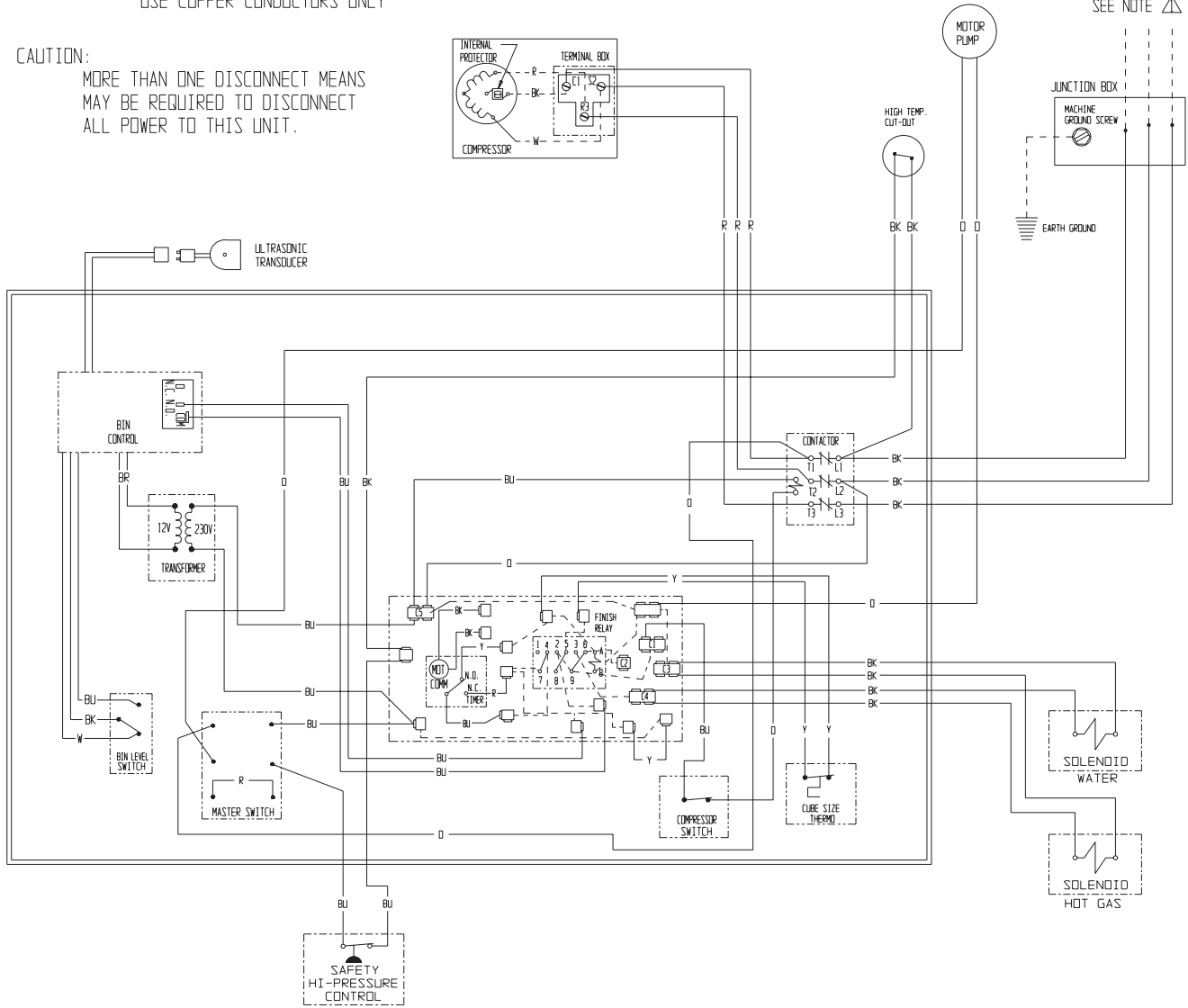
## 208-230/60/3 Water Cooled

A35440-003

THIS UNIT MUST BE GROUNDED  
USE COPPER CONDUCTORS ONLY

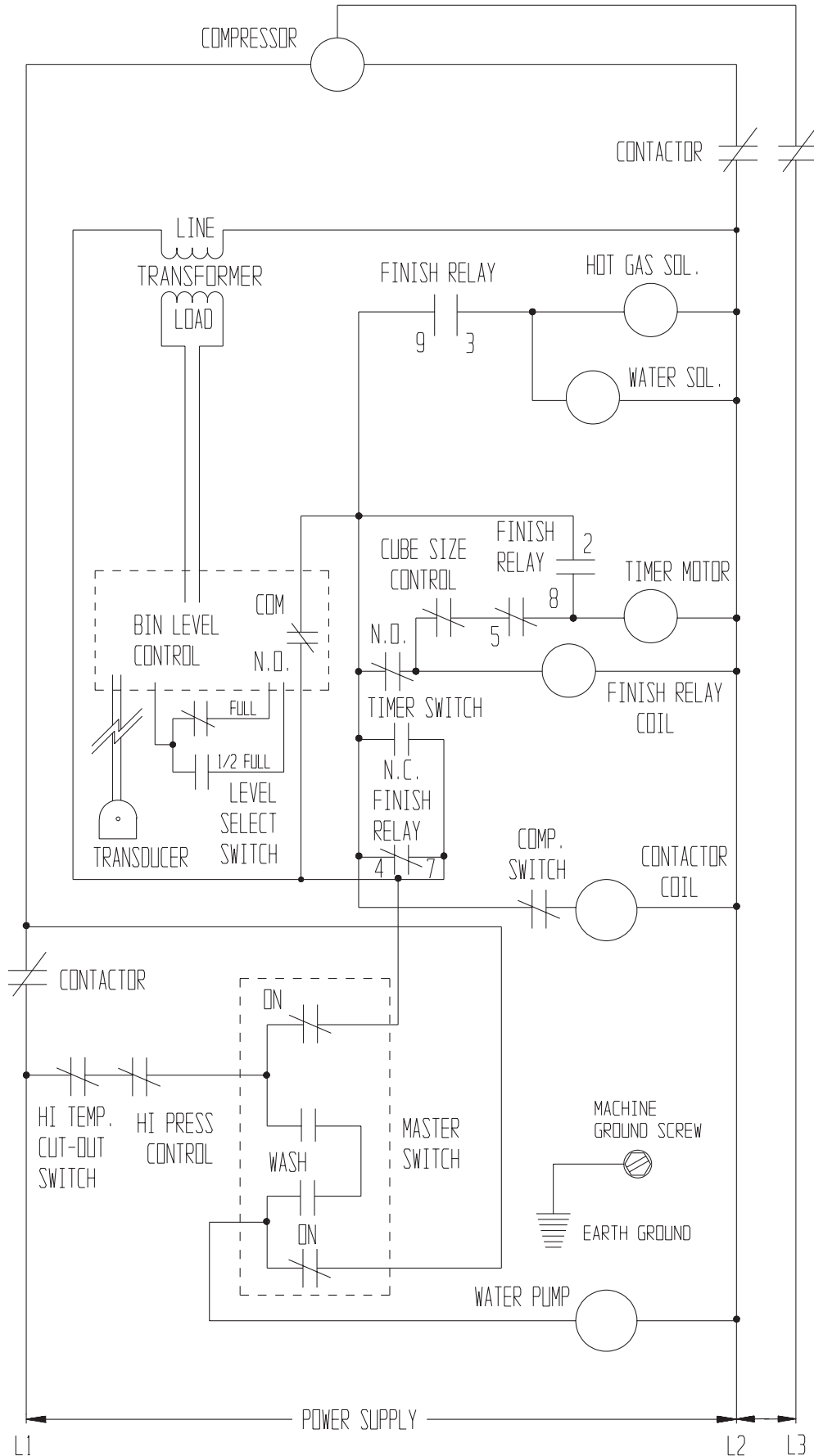
CAUTION:  
MORE THAN ONE DISCONNECT MEANS  
MAY BE REQUIRED TO DISCONNECT  
ALL POWER TO THIS UNIT.

SEE NAMEPLATE FOR  
POWER SUPPLY VOLTAGE  
AND MAX. FUSE SIZE  
SEE NOTE  $\Delta$



# CMS1402 SERVICE PARTS

## 208-230/60/3 Water Cooled



# CMS1402 SERVICE PARTS

## 208-230/60/1 Water Cooled

NOTE:  
 ▲ DASHED LINES INDICATE FIELD WIRING WHICH MUST BE INSTALLED IN ACCORDANCE WITH THE NATIONAL ELECTRICAL CODE AND ALL STATE AND LOCAL CODES.

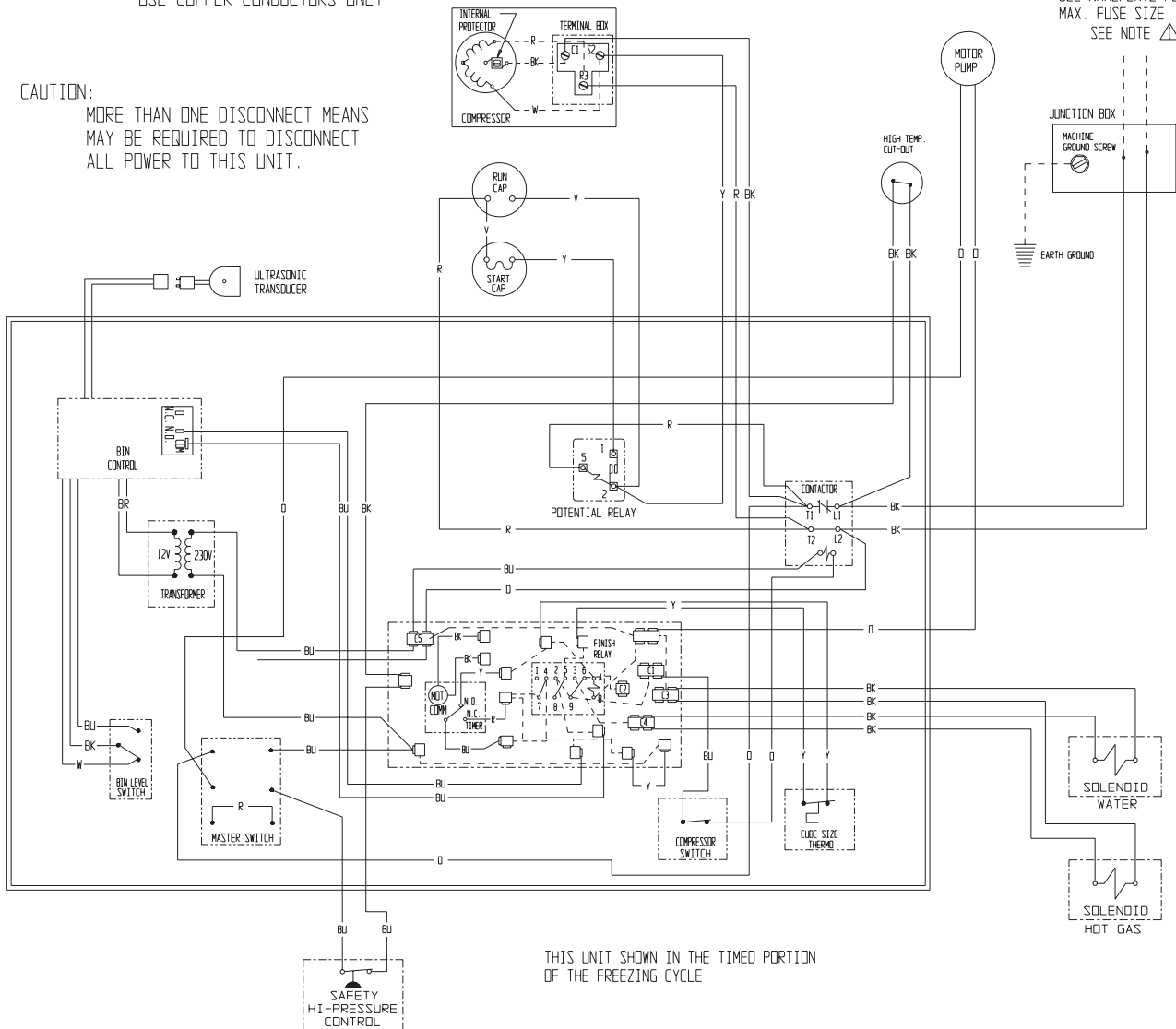
A35304-032

THIS UNIT MUST BE GROUNDED  
 USE COPPER CONDUCTORS ONLY

CAUTION:

MORE THAN ONE DISCONNECT MEANS  
 MAY BE REQUIRED TO DISCONNECT  
 ALL POWER TO THIS UNIT.

LINE VOLTAGE 208/230/60/1  
 SEE NAMEPLATE FOR  
 MAX. FUSE SIZE  
 SEE NOTE ▲



# CMS1402 SERVICE PARTS

## 208-230/60/1 Water Cooled

