

Galaxy[®]

POPCORN POPPERS

MODELS

G8, G8-AT

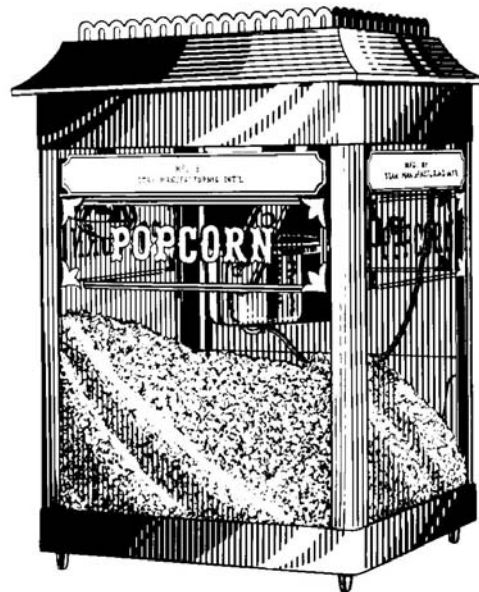
G12, G12-AT

G14, G14-AT

G18, G18-AT

Installation and Operation Instructions

2M-Y8351 Rev. M 11/1/2007



G14-AT



SAFETY SYMBOL



These symbols are intended to alert the user to the presence of important operating and maintenance instructions in the manual accompanying the appliance.

RETAIN THIS MANUAL FOR FUTURE REFERENCE NOTICE

Using any part other than genuine Star factory supplied parts relieves the manufacturer of all liability.

Star reserves the right to change specifications and product design without notice. Such revisions do not entitle the buyer to corresponding changes, improvements, additions or replacements for previously purchased equipment.

Due to periodic changes in designs, methods, procedures, policies and regulations, the specifications contained in this sheet are subject to change without notice. While Star Manufacturing exercises good faith efforts to provide information that is accurate, we are not responsible for errors or omissions in information provided or conclusions reached as a result of using the specifications. By using the information provided, the user assumes all risks in connection with such use.

MAINTENANCE AND REPAIRS

Contact your local authorized service agent for service or required maintenance. Please record the model number, serial number, voltage and purchase date in the area below and have it ready when you call to ensure faster service.

Model No. _____
Serial No. _____
Voltage _____
Purchase Date _____

Authorized Service Agent

Reference the listing provided with the unit

or

for an updated listing go to:

Website: www.star-mfg.com
E-mail: Service@star-mfg.com
Telephone: (800) 807-9054 Local (314) 781-2777

The Star Service Help Desk

Business Hours: 8:00 am to 4:30 p.m. Central Standard Time

Telephone: (800) 807-9054 Local (314) 781-2777

Fax: (800) 396-2677 Local (314) 781-2714

E-mail: Parts@star-mfg.com
Service@star-mfg.com
Warranty@star-mfg.com

Website: www.star-mfg.com

Mailing Address: Star Manufacturing International Inc.
10 Sunnen Drive
St. Louis, MO 63143
U.S.A

PRODUCT IDENTIFICATION

Star Manufacturing International Popcorn Machines

Galaxy Models: G8, G8-AT, G12, G12-AT, G14, G14-AT, G18 and G18-AT

SPECIFICATIONS

MODEL G8	8 oz. Electric Model
Capacity:	8 oz. (230g) All Steel Kettle, 170 one ounce (28g) servings per hour
Electrical:	120 volt, 60 hertz, single phase, 1736 watts, 14.4 amps 230 volt, 50 hertz, single phase, 1595 watts, 6.93 amps
Dimensions:	21-1/8"D x 21-1/8"W x 35-1/2" H (53.66cm D x 53.66cm W x 90.17cm H)
Net Weight:	87 lbs. (39.5 Kilograms)

MODEL G8-AT	8 oz. Antique Electric Counter Model
Capacity:	8 oz. (230g) All Steel Kettle, 170 one ounce (28g) servings per hour
Electrical:	120 volt, 60 hertz, single phase, 1736 watts, 14.4 amps 230 volt, 50 hertz, single phase, 1595 watts, 6.93 amps
Dimensions:	23-3/16"D x 23-3/16"W x 40-5/8"H (58.90cm D x 58.90cm W x 103.19cm H)
Net Weight:	94 lbs. (42.7 Kilograms)

MODEL G12	12 oz. Electric Model
Capacity:	12 oz.(340g) All Steel Kettle, 240 one ounce (28g) servings per hour
Electrical:	120 volt, 60 hertz, single phase, 2136 watts, 17.8 amps 240 volt, 50/60 hertz, single phase, 2136 watts, 8.9 amps 230 volt, 50 hertz, single phase, 1962 watts, 8.53 amps
Dimensions:	21-1/8"D x 21-1/8"W x 35-1/2"H (53.66cm D x 53.66cm W x 90.17cm H)
Net Weight:	87 lbs. (39.5 Kilograms)

MODEL G12-AT	12 oz. Antique Electric Counter Model
Capacity:	12 oz.(340g) All Steel Kettle, 240 one ounce (28g) servings per hour
Electrical:	120 volt, 60 hertz, single phase, 2136 watts, 17.8 amps 240 volt, 50/60 hertz, single phase, 2136 watts, 8.9 amps 230 volt, 50 hertz, single phase, 1962 watts, 8.53 amps
Dimensions:	23-3/16"D x 23-3/16"W x 40-5/8"H (58.90cm D x 58.90cm W x 103.19cm H)
Net Weight:	94 lbs. (42.7 Kilograms)

MODEL G14	14 oz. Electric Model
Capacity:	14 oz. (400g) All Steel Kettle, 280 one ounce (28g) servings per hour
Electrical:	120 volt, 60 hertz, single phase, 2416 watts, 20.13 amps 240 volt, 50/60 hertz, single phase, 2416 watts, 10.0 amps 230 volt, 50 hertz, single phase, 2219 watts, 9.65 amps
Dimensions:	24-1/8"D x 28-1/8"W x 35-1/2"H (61.28cm D x 71.44cm W x 90.17cm H)
Net Weight:	107 lbs. (48.6 Kilograms)

MODEL G14-AT	14 oz. Antique Electric Counter Model
Capacity:	14 oz. (400g) All Steel Kettle, 280 one ounce (28g) servings per hour
Electrical:	120 volt, 60 hertz, single phase, 2416 watts, 20.13 amps 240 volt, 50/60 hertz, single phase, 2416 watts, 10.0 amps 230 volt, 50 hertz, single phase, 2219 watts, 9.65 amps
Dimensions:	26-3/16"D x 30-3/16"W x 40-5/8"H (66.52cm D x 76.68cm W x 103.19cm H)
Net Weight:	114 lbs. (51.8 Kilograms)

SPECIFICATIONS CONT

MODEL G18	18 oz. Electric Model
Capacity:	18 oz. (510g) All Steel Kettle, 360 one ounce (28g) servings per hour
Electrical:	240 volt, 50/60 hertz, single phase, 2816 watts, 11.73 amps 230 volt, 50 hertz, single phase, 2587 watts, 11.25 amps
Dimensions:	24-1/8"D x 28-1/8"W x 35-1/2"H (61.28cm D x 71.44cm W x 90.17cm H)
Net Weight:	107 lbs. (48.6 Kilograms)

MODEL G18-AT	18 oz. Antique Electric Counter Model
Capacity:	18 oz.(510g) All Steel Kettle, 360 one ounce (28g) servings per hour
Electrical:	240 volt, 50/60 hertz, single phase, 2816 watts, 11.73 amps 230 volt, 50 hertz, single phase, 2587 watts, 11.25 amps
Dimensions:	26-3/16"D x 30-3/16"W x 40-5/8"H (66.52cm D x 76.68cm W x 103.19cm H)
Net Weight:	114 lbs. (51.8 Kilograms)

OPERATING CONTROLS

The operating controls are located above the serving doors.

Kettle heat switch - turns on heat in the kettle and the corn agitator motor.

Corn freshener heat lamp - turns on the heat lamp and heating element under the corn pan.

GENERAL INSTALLATION DATA



CAUTION

This equipment is designed and sold for commercial use only by personnel trained and experienced in its operation and is not sold for consumer use in and around the home nor for use directly by the general public in food service locations.

Before using your new equipment, read and understand all the instructions & labels associated with the unit prior to putting it into operation. Make sure all people associated with its use understand the units operation & safety before they use the unit.

All shipping containers should be checked for freight damage both visible and concealed. This unit has been tested and carefully packaged to insure delivery of your unit in perfect condition. If equipment is received in damaged condition, either apparent or concealed, a claim must be made with the delivering carrier.

Concealed damage or loss - if damage or loss is not apparent until after equipment is unpacked, a request for inspection of concealed damage must be made with carrier within 15 days. Be certain to retain all contents plus external and internal packaging materials for inspection. The carrier will make an inspection and will supply necessary claim forms.

INSTALLATION

Each machine has been properly wired and inspected at the factory for operation on the voltage and type of current specified on the nameplate.

CAUTION



DO NOT CONNECT TO ANY OTHER TYPE OF CURRENT OR THE MACHINE WILL BE SERIOUSLY DAMAGED.

A receptacle is furnished with the G12 120 volt and G14 120 volt popcorn machines. We strongly recommend installation by a licensed electrician. The guarantee of this machine as covered by the warranty does not apply if an improper installation has been made.

120 VOLT MACHINES

Machines with a nameplate stamped 120V, are equipped for operation on 120 volt 60 hertz AC single phase service and must be connected to a separate 20 amp circuit with a 3 wire grounded, polarized receptacle. NOTE: The G14 120V machine uses a 30 amp circuit.

240/230 VOLT MACHINES

Machines with a nameplate stamped 240V, are equipped for operation on 240 volt 50/60 hertz AC single phase service. Machines with a nameplate stamped 230V, are equipped for operation on 230 volt 50 hertz AC single phase service. All must be connected to a separate 15 amp circuit with a 3 wire grounded, polarized receptacle.

GENERAL OPERATING INSTRUCTIONS



CAUTION

The motor air exhaust holes located on top of the machine must be clear of any obstructions. **DO NOT COVER THESE AIR VENT HOLES AS SERIOUS DAMAGE WILL RESULT.**

Make sure the corn drawer is in place on the machine before starting the popping cycle.

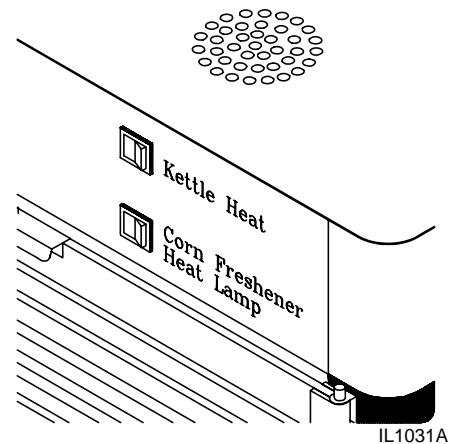
1. Turn on both switches.
2. For the first batch allow kettle to preheat for 5-7 minutes. No preheat is required after first batch is popped.
3. Add popping oil to kettle. Immediately add popcorn and seasoning salt and close kettle lid. For best results, ratio is 1 part of oil to 4 parts of corn. Use measuring cups provided or proportioned corn/oil packages. *Contact your local Dealer for pre-portioned packages.*
4. Immediately empty kettle when popping stops.
5. Repeat step 3 immediately or turn kettle off.

IMPORTANT

Turn kettle heat switch off when not popping!
Never pop corn without oil!

SWITCHES

The corn freshener and heat lamp switch controls the bottom heating element and the top heat lamp. The kettle heat switch controls the kettle heating element & the corn agitator. This motor should be kept running when there is corn in the kettle to prevent scorching or burning.



All of the above switches are in the ON position when they are lighted.

KETTLE

The kettle heating element is thermostatically controlled. Thermostat adjustment should not be necessary since it has been preset at the factory for the correct popping temperature.

Dump the kettle by turning the kettle handle counterclockwise 90° to release its latch and hold the handle in this position while tipping the kettle and handle down (see Figure 1).

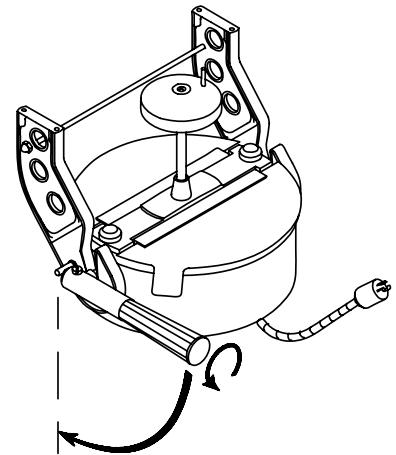


Figure 1



CAUTION

Do not leave the kettle heat & corn agitator switch "ON" (1) when the machine is not in use. Do not immerse the kettle in water or allow water to come in contact with the heating element.

Popping corn without oil in the kettle (a dry kettle) is not recommended.

Do not connect the machine to direct current (DC) since it is designed to operate on alternating current (AC) only.

KETTLE MAINTENANCE - CLEANING

After each popping period, wipe the inside and outside of the kettle while it is warm (not hot) with a clean cloth. This is important to keep salt and seasoning from forming a carbonized material which not only lowers popping efficiency but can cause excessive smoking or damage the kettle.

Clean the inside and outside kettle shell including the covers and all attached parts with warm water and mild soap or detergent solution (see Figure 2).

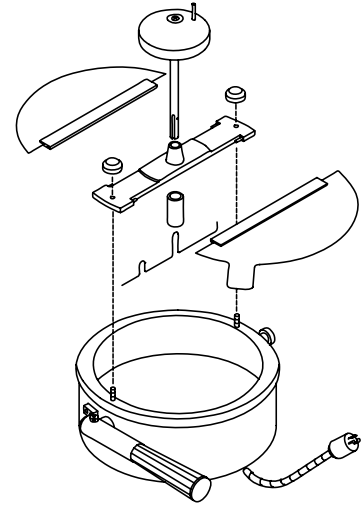


Figure 2



CAUTION

DO NOT IMMERGE THE KETTLE IN WATER OR ALLOW WATER TO ENTER THE KETTLE SHELL SINCE THIS WILL DAMAGE ELECTRICAL PARTS INSIDE THE ASSEMBLY.

To remove the kettle:

Turn off all switches and allow the kettle to cool. Use heat insulating gloves to remove a hot kettle. Disconnect the twist lock plug at the end of the kettle conduit from its receptacle. Turn the kettle handle counterclockwise 90° to release its latch. Hold the handle in this position while tipping the kettle and handle down and pushing up on the bottom of the kettle to remove it from the hooks (see Figure 1).

To replace heat lamp:

Turn off all switches and allow kettle to cool to touch. Remove the (1) screw holding the lamp shield and pull down on lamp shield to remove it from the top liner. Replace the heat lamp with the same type and wattage lamp. Do not install a lamp higher in wattage than indicated on the label located near the lamp socket (see Figure 3).

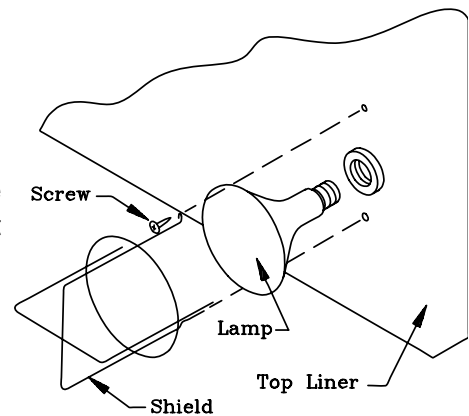


Figure 3

MAINTENANCE AND REPAIRS

Contact the factory, a service representative, or a local service company for service or required maintenance.

THOROUGHLY INSPECT YOUR UNIT ON ARRIVAL

This unit has been tested for proper operation before leaving our plant to insure delivery of your unit in perfect condition. However, there are instances in which the unit may be damaged in transit. In the event you discover any type of damage to your product upon receipt, you must immediately contact the transportation company who delivered the item to you and initiate your claim with same. If this procedure is not followed, it may affect the warranty status of the unit.

LIMITED EQUIPMENT WARRANTY

All workmanship and material in Star products have a one (1) year limited warranty on parts & labor in the United States and Canada. Such warranty is limited to the original purchaser only and shall be effective from the date the equipment is placed in service. Star's obligation under this warranty is limited to the repair of defects without charge, by the factory authorized service agency or one of its sub-agencies. Models that are considered portable (*see below*) should be taken to the closest Star service agency, transportation prepaid.

- > Star will not assume any responsibility for loss of revenue.
- > On all shipments outside the United States and Canada, see International Warranty.
- * The warranty period for the JetStar six (6) ounce & Super JetStar eight (8) ounce series popcorn machines is two (2) years.
- * The warranty period for the Chrome-Max Griddles is five (5) years on the griddle surface. See detailed warranty provided with unit.
- * The warranty period for Teflon/Dura-Tec coatings is one year under normal use and reasonable care. This warranty does not apply if damage occurs to Teflon/Dura-Tec coatings from improper cleaning, maintenance, use of metallic utensils, or abrasive cleaners, abrasive pads, product identifiers and point-of-sale attachments, or any other non-food object that comes in continuous contact with the roller coating. This warranty does not apply to the "non-stick" properties of such materials.
- > This warranty does not apply to "Special Products" but to regular catalog items only. Star's warranty on "Special Products" is six (6) months on parts and ninety (90) days on labor.
- > This warranty does not apply to any item that is disassembled or tampered with for any purpose other than repair by a Star Authorized Service Center or the Service Center's sub-agency.
- > This warranty does not apply if damage occurs from improper installation, misuse, wrong voltage, wrong gas or operated contrary to the Installation and Operating instructions.
- > This warranty is not valid on Conveyor Ovens *unless* a "start-up/check-out" has been performed by a Factory Authorized Technician.

PARTS WARRANTY

Parts that are sold to repair out of warranty equipment are warranted for ninety (90) days. The part only is warranted. Labor to replace the part is chargeable to the customer.

SERVICES NOT COVERED BY WARRANTY

1. Travel time and mileage rendered beyond the 50 mile radius limit
2. Mileage and travel time on portable equipment (*see below*)
3. Labor to replace such items that can be replaced easily during a daily cleaning routine, ie; removable kettles on fryers, knobs, grease drawers on griddles, etc.
4. Installation of equipment
5. Damages due to improper installation
6. Damages from abuse or misuse
7. Operated contrary to the Operating and Installation Instructions
8. Cleaning of equipment
9. Seasoning of griddle plates
10. Voltage conversions
11. Gas conversions
12. Pilot light adjustment
13. Miscellaneous adjustments
14. Thermostat calibration and by-pass adjustment
15. Resetting of circuit breakers or safety controls or reset buttons
16. Replacement of bulbs
17. Replacement of fuses
18. Repair of damage created during transit, delivery, & installation OR created by acts of God

PORTABLE EQUIPMENT

Star will not honor service bills that include travel time and mileage charges for servicing any products considered "Portable" including items listed below. These products should be taken to the Service Agency for repair:

- * The Model 510FD Fryer.
- * The Model 526TOA Toaster Oven.
- * The Model J4R, 4 oz. Popcorn Machine.
- * The Model 518CMA & 526CMA Cheese Melter.
- * The Model 12MC & 15MC & 18MCP Hot Food Merchandisers.
- * The Model 12NCPW & 15NCPW Nacho Chip/Popcorn Warmer.
- * All Hot Dog Equipment **except Roller Grills & Drawer Bun Warmers.**
- * All Nacho Cheese Warmers **except Model 11WLA Series Nacho Cheese Warmer.**
- * All Condiment Dispensers **except the Model HPD & SPD Series Dispenser.**
- * All Specialty Food Warmers **except Model 130R, 11RW Series, and 11WSA Series.**
- * All QCS/RCS Series Toasters **except Model QCS3 & RCS3 Series.**

ALL:

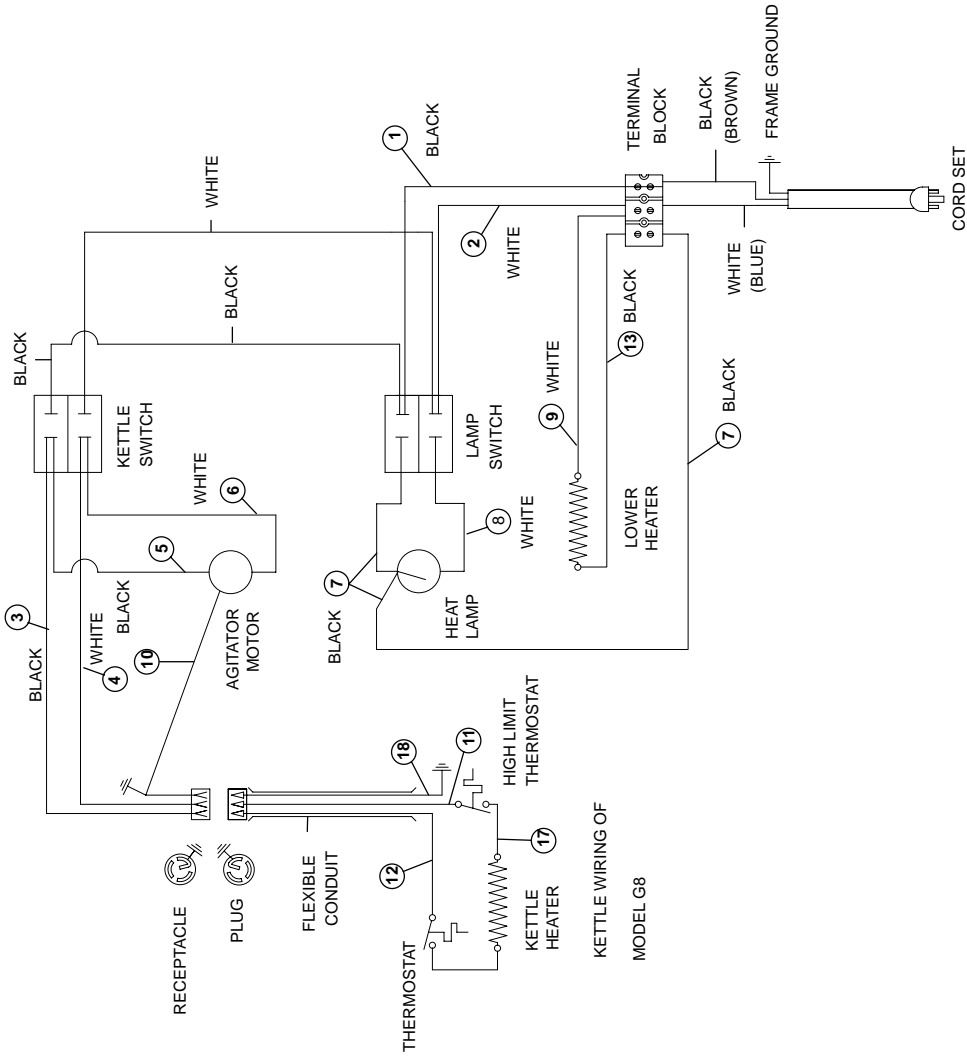
- * Pop-Up Toasters
- * Butter Dispensers
- * Pretzel Merchandisers
(Model 16PD-A Only)
- * Pastry Display Cabinets
- * Nacho Chip Merchandisers
- * Accessories of any kind
- * Sneeze Guards
- * Pizza Ovens
(Model PO12 Only)
- * Heat Lamps
- * Pumps-Manual

The foregoing warranty is in lieu of any and all other warranties expressed or implied and constitutes the entire warranty.

FOR ASSISTANCE

Should you need any assistance regarding the Operation or Maintenance of any Star equipment; write, phone, fax or email our Service Department. In all correspondence mention the Model number and the Serial number of your unit, and the voltage or type of gas you are using.

NOTE:
 SWITCHES ARE VIEWED FROM TERMINAL SIDE AS MOUNTED ON THE MACHINE
 WIRES #1 AND #2 MUST BE CONNECTED TO SWITCH TERMINALS AS SHOWN FOR
 SWITCH LIGHT TO FUNCTION PROPERLY

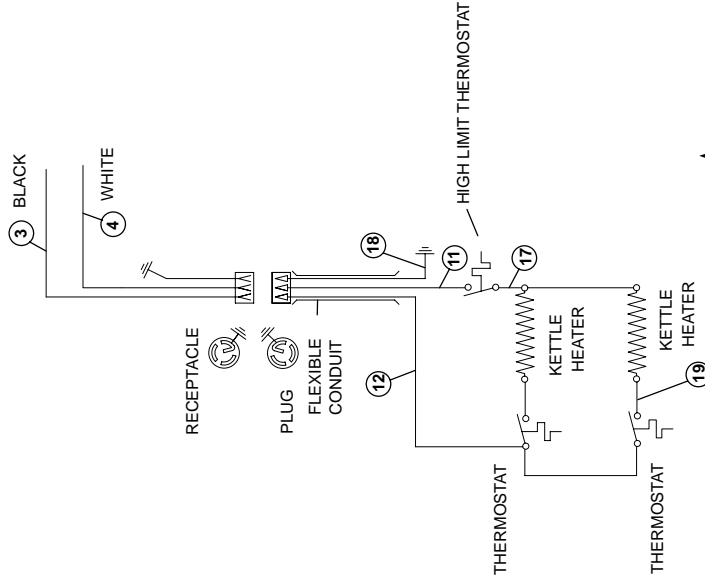


MODEL: G8 AND G12

THIS DRAWING CONTAINS INFORMATION CONFIDENTIAL TO STAR MFG. INTL. INC.
 NO REPRODUCTION OR DISCLOSURE OF ITS CONTENTS IS PERMITTED.

NOTE:

USE THIS DIAGRAM FOR WIRING OF MODEL G12 KETTLE ONLY
 ALL OTHER WIRING IS THE SAME AS SHOWN FOR MODELS G8

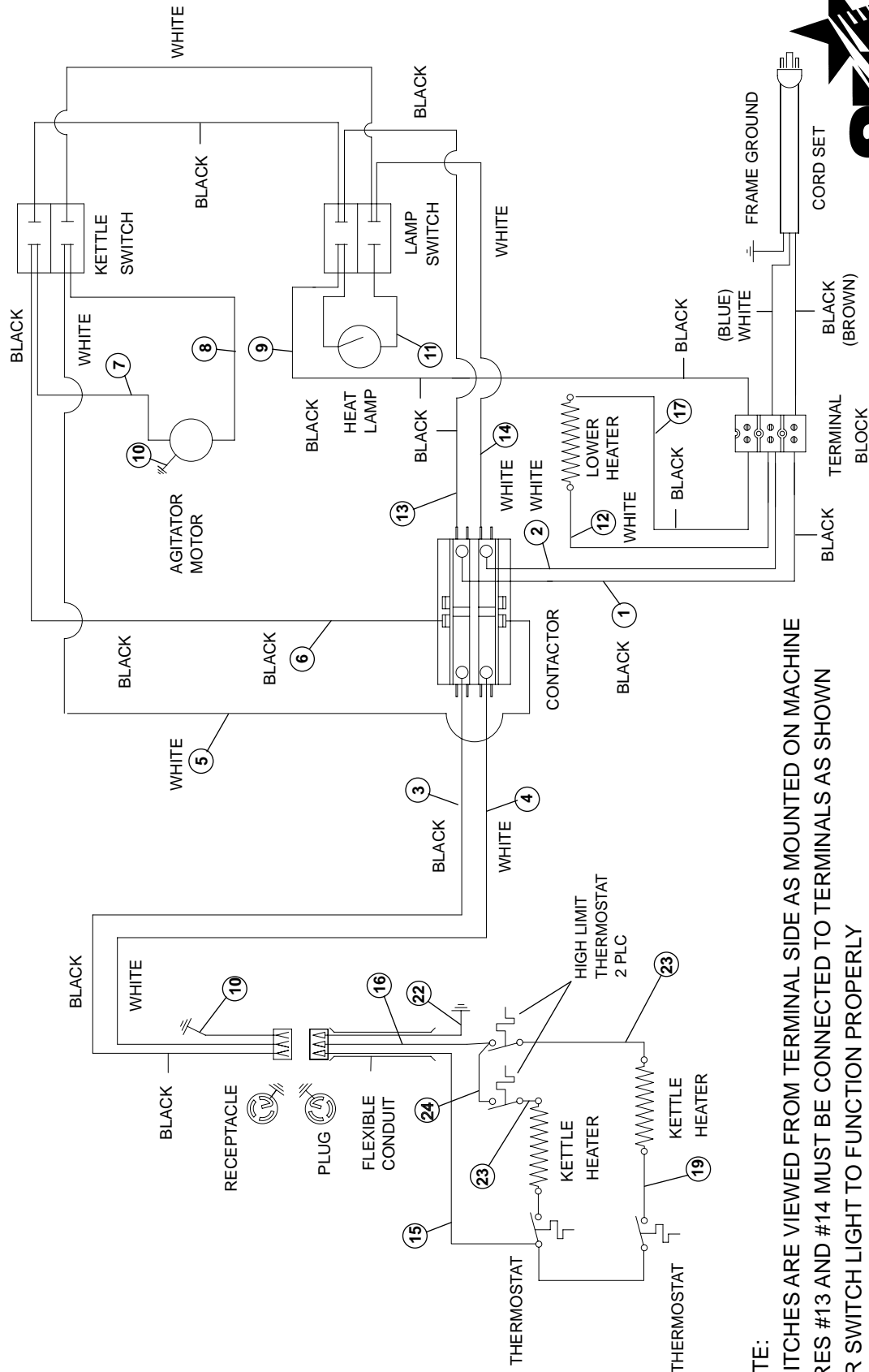


STAR MANUFACTURING INTERNATIONAL INC.

SK1142

Rev F

2/08/2007



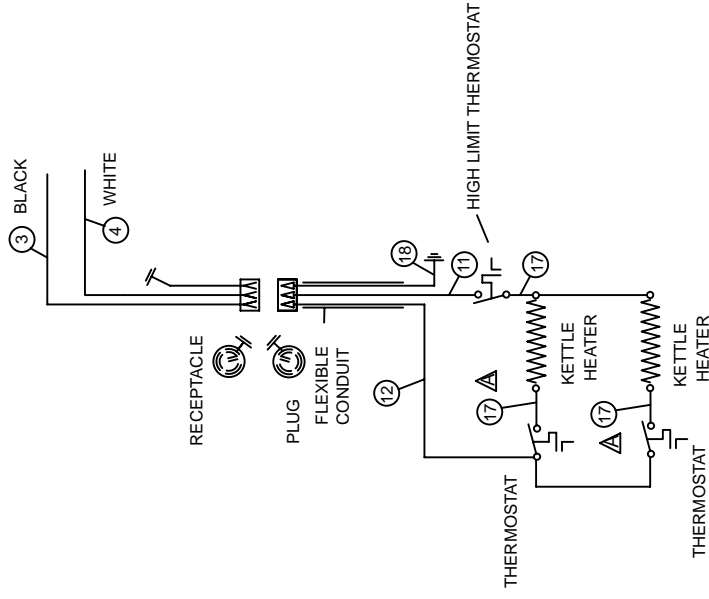
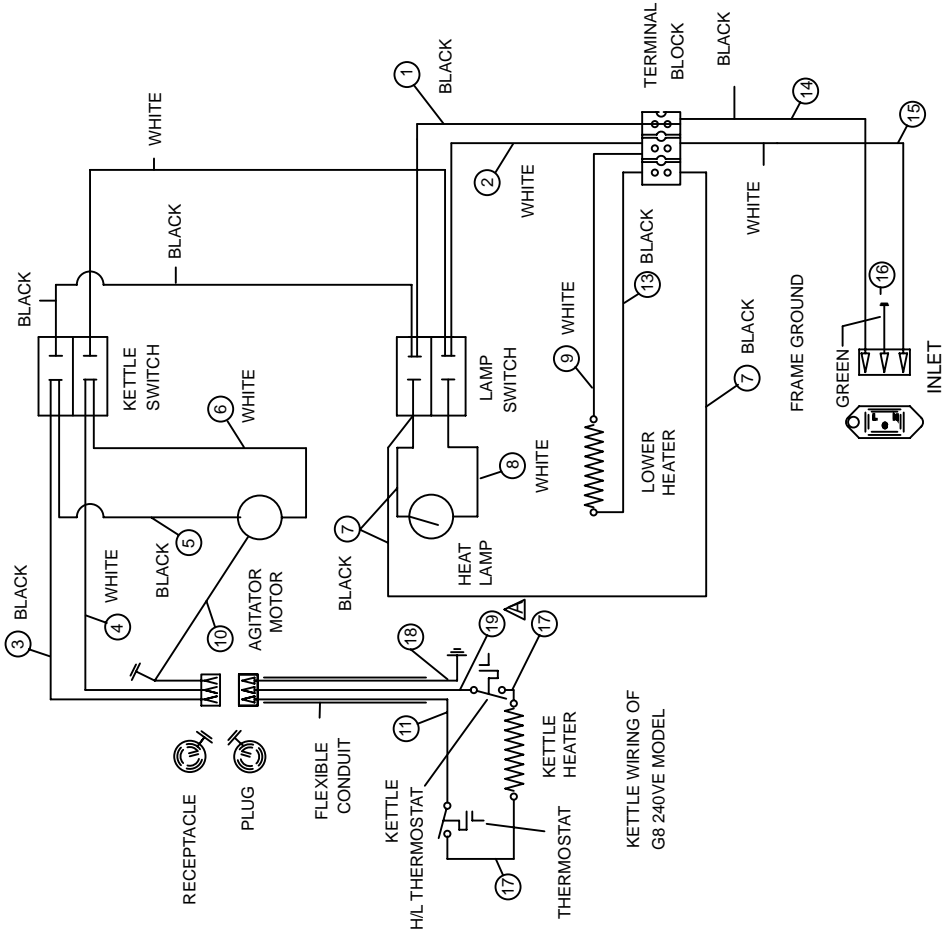
NOTE:
 SWITCHES ARE VIEWED FROM TERMINAL SIDE AS MOUNTED ON MACHINE
 WIRES #13 AND #14 MUST BE CONNECTED TO TERMINALS AS SHOWN
 FOR SWITCH LIGHT TO FUNCTION PROPERLY

MODEL: G14 AND G18

THIS DRAWING CONTAINS INFORMATION CONFIDENTIAL TO STAR MFG. INT'L. INC.
 NO REPRODUCTION OR DISCLOSURE OF ITS CONTENTS IS PERMITTED.



NOTE:
SWITCHES ARE VIEWED FROM TERMINAL SIDE AS MOUNTED ON THE MACHINE
WIRES #1 AND #2 MUST BE CONNECTED TO SWITCH TERMINALS AS SHOWN FOR
SWITCH LIGHT TO FUNCTION PROPERLY



NOTE:

USE THIS DIAGRAM FOR WIRING OF MODEL G12 240VE KETTLE ONLY
ALL OTHER WIRING IS THE SAME AS SHOWN FOR MODEL G8



MODEL: G8 AND G12, 230CE

THIS DRAWING CONTAINS INFORMATION CONFIDENTIAL TO STAR MFG. INT'L. INC.
NO REPRODUCTION OR DISCLOSURE OF ITS CONTENTS IS PERMITTED.

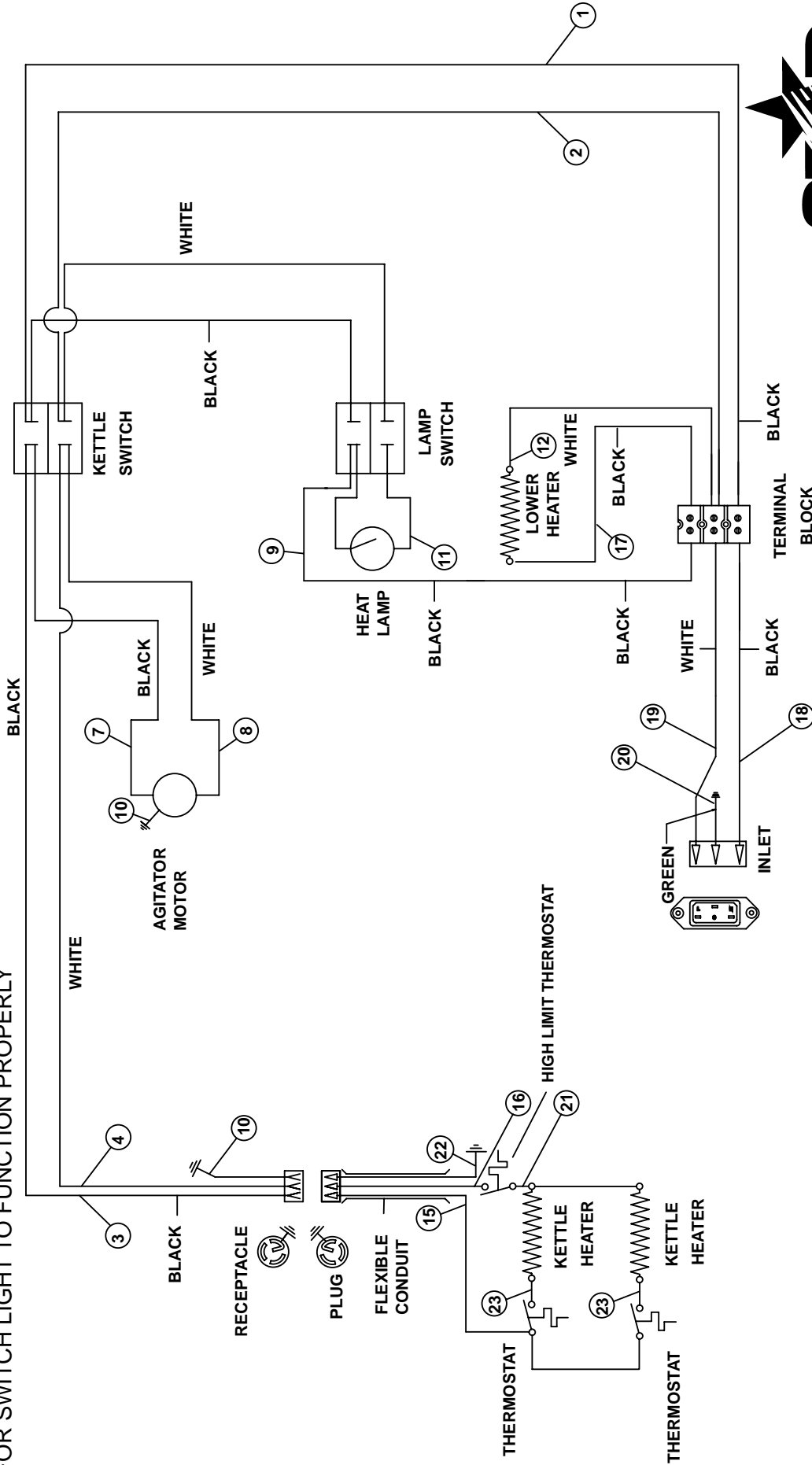
STAR MANUFACTURING INTERNATIONAL INC.

SK1316

Rev B

11/04/2005

NOTE:
 SWITCHES ARE VIEWED FROM TERMINAL SIDE AS MOUNTED ON MACHINE
 WIRES #13 AND #14 MUST BE CONNECTED TO TERMINALS AS SHOWN
 FOR SWITCH LIGHT TO FUNCTION PROPERLY



MODEL: G14 AND G18, 230CE

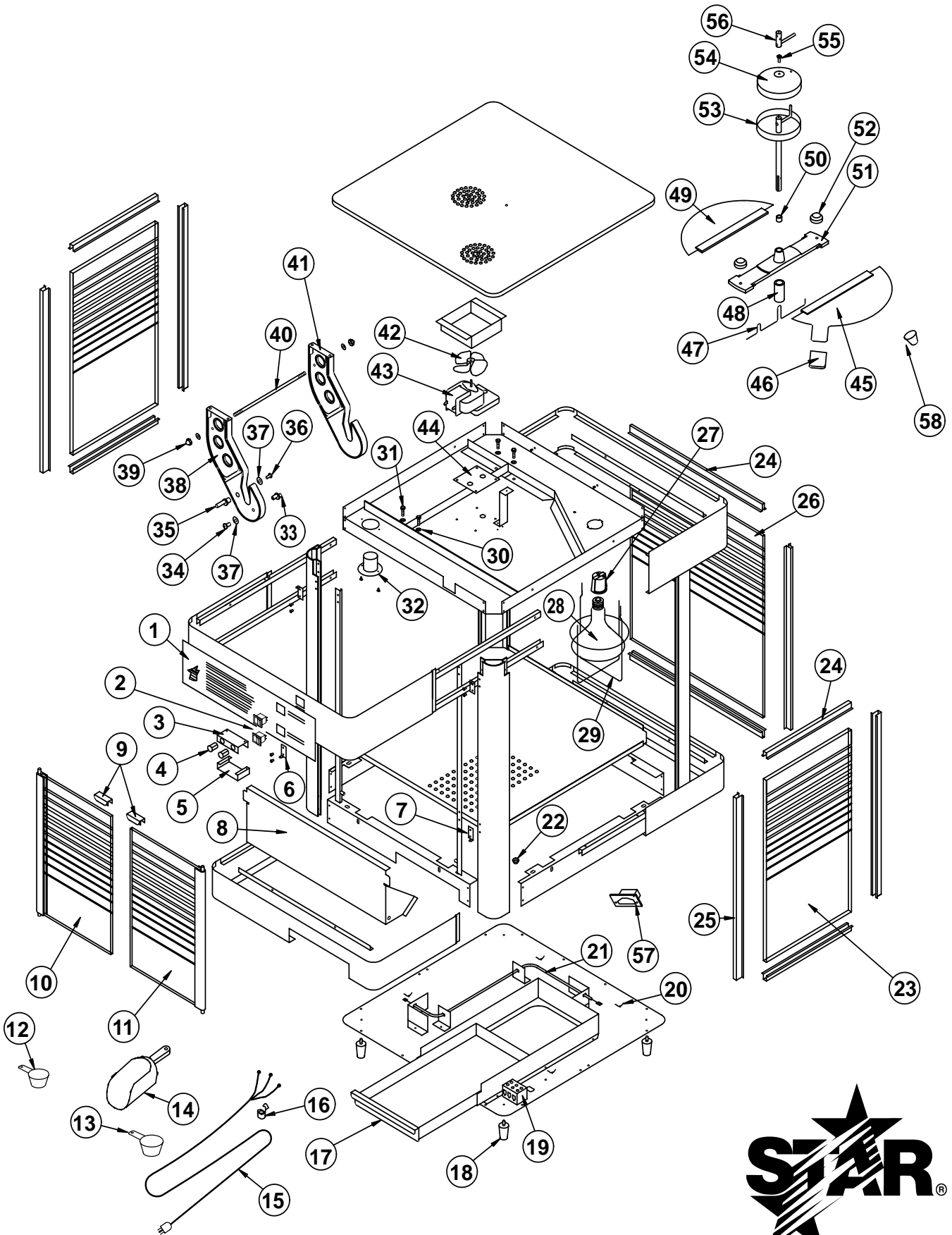
THIS DRAWING CONTAINS INFORMATION CONFIDENTIAL TO STAR MFG. INT'L. INC.
 NO REPRODUCTION OR DISCLOSURE OF ITS CONTENTS IS PERMITTED.

STAR MANUFACTURING INTERNATIONAL INC.

SK1318

Rev A

11/04/2005



SOME ITEMS ARE INCLUDED FOR ILLUSTRATIVE PURPOSES ONLY AND IN CERTAIN INSTANCES MAY NOT BE AVAILABLE

MODEL - G8/G12, 8 / 12 oz. 120/240V/230CE

STAR MANUFACTURING INTERNATIONAL, INC.

SK1180

REV. D

1/24/06

PARTS LIST

November 1, 2007 Rev. M

MODEL G8, G12 120V/240V/230CE

Key Number	Part Number	Number Per Unit	Description and Model Designation
-	2M-Y8602	1	LABEL STRIPE YELLOW/BLUE (Not Shown) G12
-	2M-Y8420	1	LABEL STRIPE BLACK (Not Shown) G12
1	2M-Z9183	1	LABEL FRONT
2	2E-Z9310	2	SWITCH (LIGHTED) after serial number G8010126 G8
	2E-Z9310	3	SWITCH (LIGHTED) before serial number G8010126 G8
	2E-Z9310	2	SWITCH (LIGHTED) after serial number G1206539 G12
	2E-Z9310	3	SWITCH (LIGHTED) before serial number G1206539 G12
3	C3-Y7952	1	BRACKET CATCH
4	2R-Y7844	2	CATCH MAGNETIC
5	C3-Y7953	1	COVER BRACKET
6	C3-Y7377	2	BRACKET HINGE LEFT
7	C3-Y7446	2	BRACKET HINGE RIGHT
8	C3-Y8187	1	LOWER DOOR
9	C3-Y7475	2	DOOR PULL ASSEMBLY (INC.IN DOOR ASSYS.)
10	C3-G8074	1	LEFT DOOR ASSEMBLY
11	C3-G8073	1	RIGHT DOOR ASSEMBLY
12	2L-Y8863	1	OIL MEASURE CUP 2 CUP (PLASTIC)
13	2L-Y8812	1	CORN MEASURE CUP 2 CUP (PLASTIC)
14	2L-Y4916	1	SCOOP - POPCORN (PLASTIC)
15	C3-G8021	1	CORD ASSEMBLY 120V G8
	C3-G8022	1/1	CORD ASSEMBLY 240V G8 / G12
	C3-G1410	1	CORD ASSEMBLY 120V G12
	2E-Z0151	1/1	CORD ASSEMBLY 230CE G8 / G12
16	2K-Y2968	1	BUSHING-STRAIN RELIEF 120V G8
	2K-Y6764	1	BUSHING 120V/240V G12
17	C3-Y7940	1	DRAWER CORN
18	2A-6904	4	FOOT
	2P-Y3404	4	PLUG - FOOT
	2C-1557	4	SCREW - FOOT
19	2E-Y2849	1	BLOCK TERMINAL
20	2P-6475	4	CLIP-TY
21	2N-Y8502	1	ELEMENT-80 WATT 120V
	2N-Y8503	1	ELEMENT-90 WATT 240V/230CE
22	2K-Y1139	1	BUSHING HEYCO
23	2Q-Y7830	2	GLASS SIDE (TEMPERED)
24	2I-Y7836	6	CHANNEL GLASS (TOP/BOTTOM)
25	2I-Y7840	6	CHANNEL GLASS (UPRIGHT)
26	2Q-Y8606	1	GLASS FRONT
27	2E-Y8212	1	SOCKET LAMP
	2E-Y9433	1	SOCKET LAMP 230CE
28	2S-8337	1	LAMP-150W 120V G8
	2S-Y2238	1	LAMP - 250W 120V-120V G12
	2S-Y8712	1/1	LAMP 150W 230CE/240V G8 / G12
	2S-Y8346	1	LAMP 250W 240V G12
29	2B-Y7829	1	LAMP SHIELD
30	2C-1823	10	WASHER LOCK
31	2C-9398	4	SCREW
32	2E-T1042	1	RECEPTACLE 120V
	2E-Z0089	1	OUTLET STRAIGHT BLADE 230CE/240V
33	2A-Y8645	1	PIN STOPPER-SHORT
34	2C-Y8646	1	SCREW
35	2A-Y8032	1	PIN STOPPER
36	2C-Y8147	1	SCREW

**IMPORTANT: WHEN ORDERING, SPECIFY VOLTAGE OR TYPE GAS DESIRED
INCLUDE MODEL AND SERIAL NUMBER**

PAGE 1
OF 2

Some items are included for illustrative purposes only and in certain instances may not be available.



PARTS LIST

November 1, 2007 Rev. M

MODEL G8, G12 120V/240V/230CE

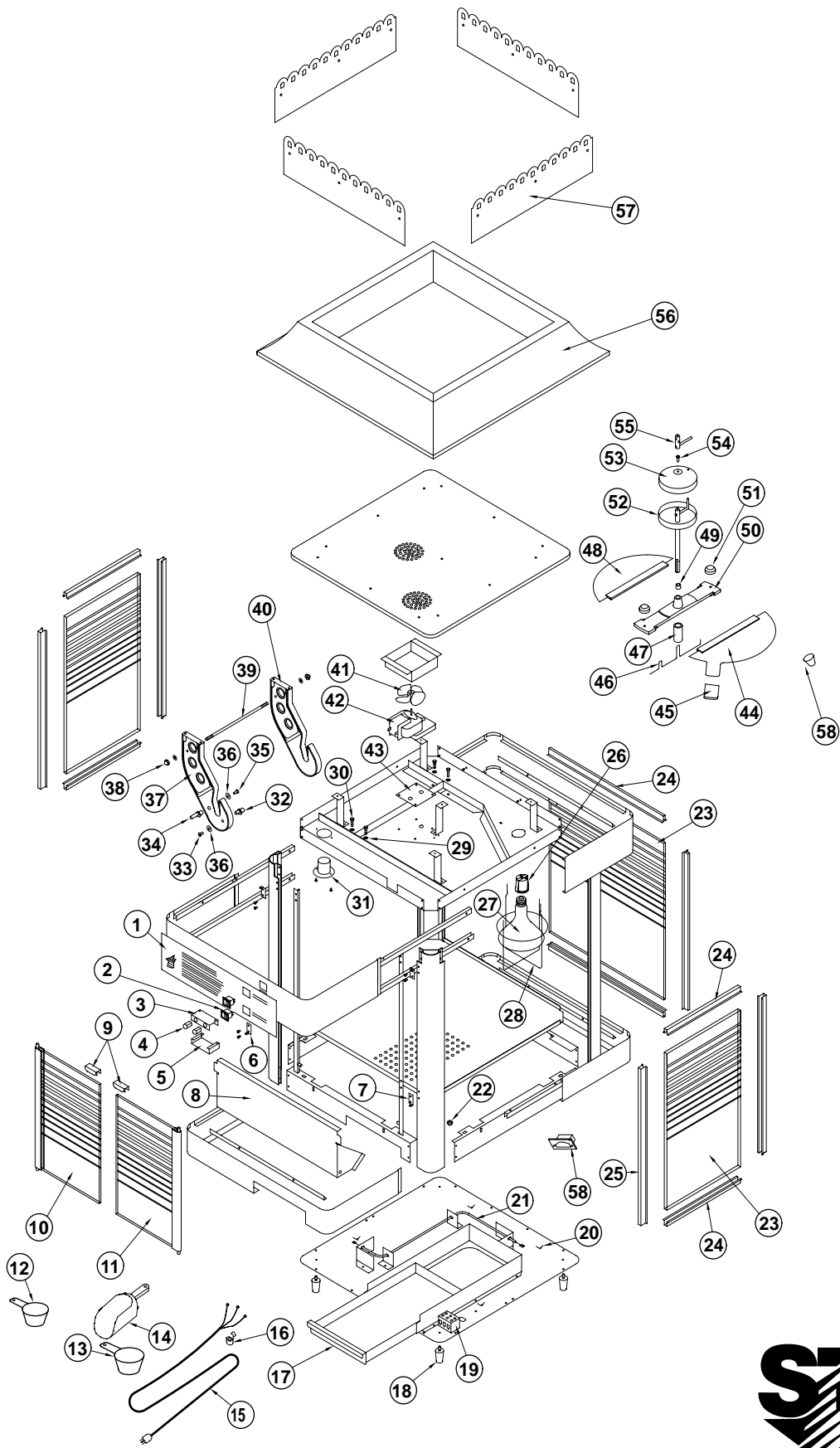
Key Number	Part Number	Number Per Unit	Description
37	2C-1811	2	BURR
38	2F-Y8757	1	HANGER REAR
39	2C-2581	2	NUT
40	2A-Y8033	1	ROD SPACER
41	2F-Y8757	1	HANGER FRONT
42	2R-Y4810	1	FAN
43	2U-Y8213	1	MOTOR 120V
	2U-Y8214	1	MOTOR 240V/230CE
44	2I-Y6709	1	CUSHION-MOTOR
45	C3-G8090	1	LID ASSEMBLY LEFT
46	2R-Y8379	1	TAB-COVER
47	2B-Y8050	1	BLADE AGITATOR
48	2A-Y8026	1	COLLAR-AGITATOR
49	C3-G8091	1	LID ASSEMBLY RIGHT
50 - 51	2F-Z6501	1	CROSS BAR ASSEMBLY (INCLUDES 2P-1021 & C3-Z6501)
50	2P-1021	2	BEARING BRZ.
51	C3-Z6501	1	CROSS BAR (NOT SOLD SEPARATELY)
52	2A-Y7928	2	KNOB
53	C3-G8033	1	SHAFT ASSEMBLY
54	2D-Y8044	1	SPINNER TOP
55	2C-Y8146	1	SCREW
56	2A-G8032	1	SHAFT-MOTOR ASSEMBLY
57	2E-Y9253	1	INLET 230CE
58	2R-Y6763	1	KNOB 230CE
--	2E-8715	1	FEMALE RECEPTACLE (WALL) G12-120V ONLY
--	2M-Y3147	1	CAUTION - HOT LABEL
--	2M-Z0008	1	INSTRUCTION LABEL (CLEAR)

**IMPORTANT: WHEN ORDERING, SPECIFY VOLTAGE OR TYPE GAS DESIRED
INCLUDE MODEL AND SERIAL NUMBER**

PAGE 2
OF 2

Some items are included for illustrative purposes only and in certain instances may not be available.





SOME ITEMS ARE INCLUDED FOR
ILLUSTRATIVE PURPOSES ONLY AND IN
CERTAIN INSTANCES MAY NOT BE AVAILABLE

MODEL - G8AT/G12AT
8 / 12 oz. 120/240V/230CE



STAR MANUFACTURING INTERNATIONAL, INC.

SK1185

REV. D

1/24/06

PARTS LIST

November 1, 2007 Rev. M

MODEL G8-AT, G12-AT 120V/240V/230CE

Key Number	Part Number	Number Per Unit	Description and Model Designation
1	2M-Z9184	1	LABEL FRONT
2	2E-Z9310	2	SWITCH (LIGHTED) after serial number G8010126 G8
	2E-Z9310	3	SWITCH (LIGHTED) before serial number G8010126 G8
	2E-Z9310	2	SWITCH (LIGHTED) after serial number G1206539 G12
	2E-Z9310	3	SWITCH (LIGHTED) before serial number G1206539 G12
3	C3-Y7952	1	BRACKET CATCH
4	2R-Y7844	2	CATCH MAGNETIC
5	C3-Y7953	1	COVER BRACKET
6	C3-Y7377	2	BRACKET HINGE LEFT
7	C3-Y7446	2	BRACKET HINGE RIGHT
8	C3-Y8187	1	LOWER DOOR
9	C3-Y7475	2	DOOR PULL ASSY. (INC. IN DOOR ASSYS.)
10	C3-G8076	1	LEFT DOOR ASSY.
11	C3-G8075	1	RIGHT DOOR ASSY.
12	2L-Y8863	1	OIL MEASURE CUP 2 CUP (PLASTIC)
13	2L-Y8812	1	CORN MEASURE CUP 2 CUP (PLASTIC)
14	2L-Y4916	1	SCOOP - POPCORN (PLASTIC)
15	C3-G8021	1	CORD ASSY. 120V G8-AT
	C3-G1410	1	CORD ASSY. 120V G12-AT
	C3-G8022	1/1	CORD ASSY. 240V G8-AT / G12-AT
	2E-Z0151	1/1	CORD ASSY 230CE G8-AT / G12-AT
16	2K-Y2968	1	BUSHING - STRAIN RELIEF 120V/240V
	2K-Y6764	1	BUSHING 120V/240V G12-AT
17	C3-Y7940	1	DRAWER CORN
18	2A-6904	4	FOOT
	2P-Y3404	4	PLUG - FOOT
	2C-1557	4	SCREW - FOOT
19	2E-Y2849	1	BLOCK TERMINAL
20	2P-6475	4	CLIP-TY
21	2N-Y8502	1	ELEMENT - 80 WATT 120V
	2N-Y8503	1	ELEMENT - 90 WATT 240V
22	2K-Y1139	1	BUSHING HEYCO
23	2Q-Y8508	3	GLASS TEMPERED
24	2I-Y7836	6	CHANNEL GLASS
25	2I-Y7840	6	CHANNEL GLASS
26	2E-Y8212	1	SOCKET LAMP
	2E-Y9433	1	SOCKET LAMP 240V
27	2S-8337	1	LAMP - 150 WATT 120V G8-AT
	2S-Y2238	1	LAMP - 250 WATT 120V G12-AT
	2S-Y8712	1/1	LAMP - 150 WATT 230CE/240V G8-AT / G12-AT
	2S-Y8346	1	LAMP 250W 240V G12-AT
28	2B-Y7829	1	LAMP SHIELD
29	2C-1823	10	WASHER LOCK
30	2C-9398	4	SCREW
31	2E-T1042	1	RECEPTACLE 120V
	2E-Z0089	1	RECEPTACLE, STRAIGHT BLADE 230CE/240V
32	2A-Y8645	1	PIN STOPPER - SHORT
33	2C-Y8646	1	SCREW
34	2A-Y8032	1	PIN STOPPER
35	2C-Y8147	1	SCREW
36	2C-1811	2	BURR

**IMPORTANT: WHEN ORDERING, SPECIFY VOLTAGE OR TYPE GAS DESIRED
INCLUDE MODEL AND SERIAL NUMBER**

PAGE 1
OF 2

Some items are included for illustrative purposes only and in certain instances may not be available.

PARTS LIST

November 1, 2007 Rev. M

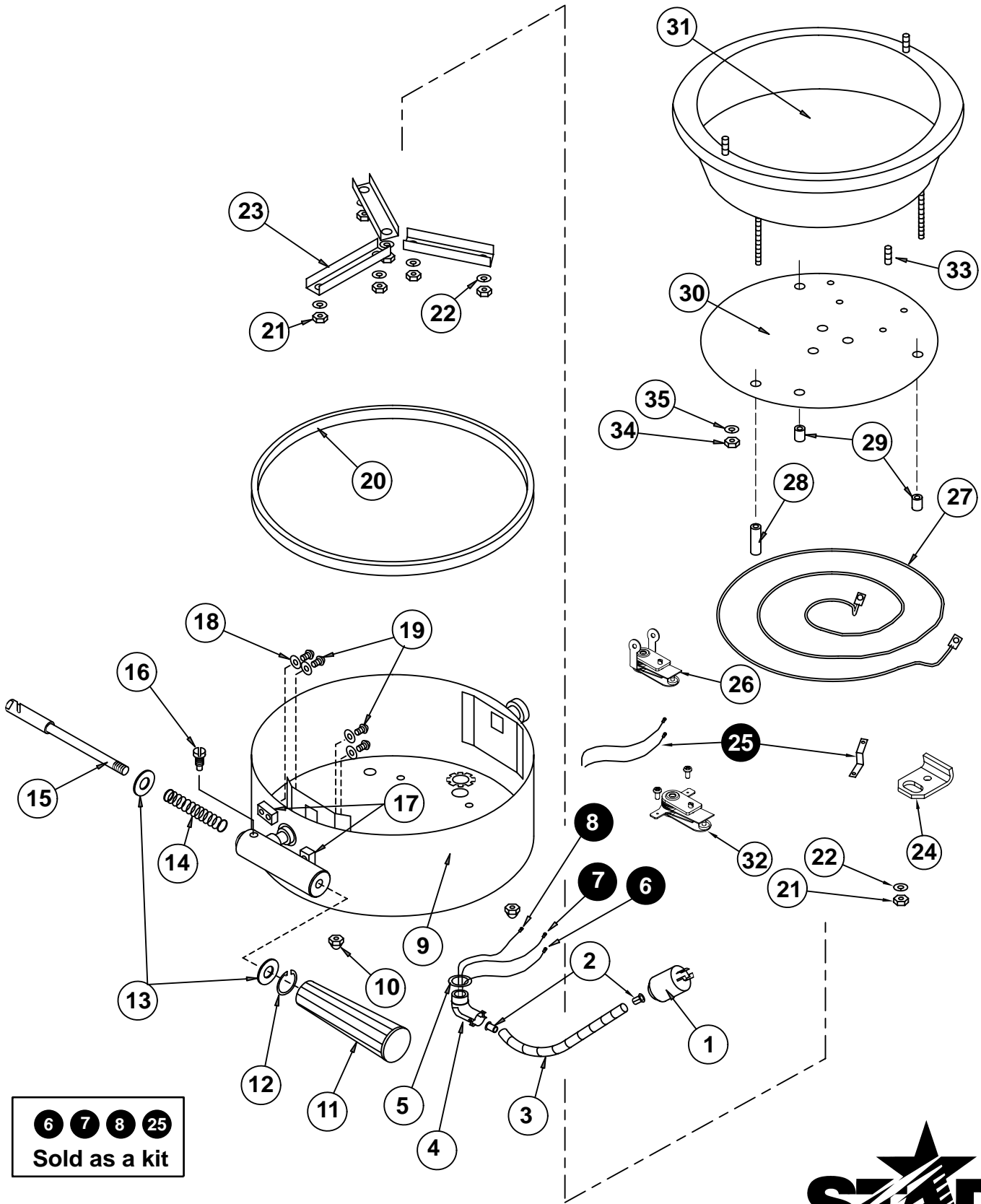
MODEL G8-AT, G12-AT 120V/240V/230CE

Key Number	Part Number	Number Per Unit	Description
37	2F-Y8757	1	HANGER REAR
38	2C-2581	2	NUT ACORN
39	2A-Y8033	1	ROD-SPACER
40	2F-Y8757	1	HANGER FRONT
41	2R-Y4810	1	FAN
42	2U-Y8213	1	MOTOR 120V
	2U-Y8214	1	MOTOR 240V/230CE
43	2I-Y6709	1	CUSHION-MOTOR
44	C3-G8090	1	LID ASSY LEFT
45	2R-Y8379	1	TAB COVER
46	2B-Y8050	1	BLADE-AGITATOR
47	2A-Y8026	1	COLLAR-AGITATOR
48	C3-G8091	1	LID ASSEMBLY RIGHT
49-50	2F-Z6501	1	CROSS BAR ASSEMBLY (INCLUDES 2P-1021 & C3-Z6501)
49	2P-1021	2	BEARING BRZ.
50	C3-Z6501	1	CROSS BAR (NOT SOLD SEPARATELY)
51	2A-Y7928	2	KNOB
52	C3-G8033	1	SHAFT ASSEMBLY
53	2D-Y8044	1	SPINNER TOP
54	2C-Y8146	1	SCREW FL. HD.
55	C3-G8032	1	SHAFT-MOTOR ASSEMBLY
56	2L-Y8761	1	ANTIQUUE TOP
57	C3-Y8488	4	TRIM TOP
58	2E-Y9253	1	INLET 230CE
59	2R-Y6763	1	KNOB 230CE
--	2E-8715	1	FEMALE RECEPTACLE (WALL) G12-120V ONLY
--	2M-Y3147	1	CAUTION - HOT LABEL
--	2M-Z0008	1	INSTRUCTION LABEL (CLEAR)

**IMPORTANT: WHEN ORDERING, SPECIFY VOLTAGE OR TYPE GAS DESIRED
INCLUDE MODEL AND SERIAL NUMBER**

PAGE 2
OF 2

Some items are included for illustrative purposes only and in certain instances may not be available.



6 7 8 25
Sold as a kit

MODEL G8
8 OZ. 120/230CE



STAR MANUFACTURING INTERNATIONAL, INC.

SK1182

Rev. C

3/27/07

PARTS LIST

November 1, 2007 Rev. M

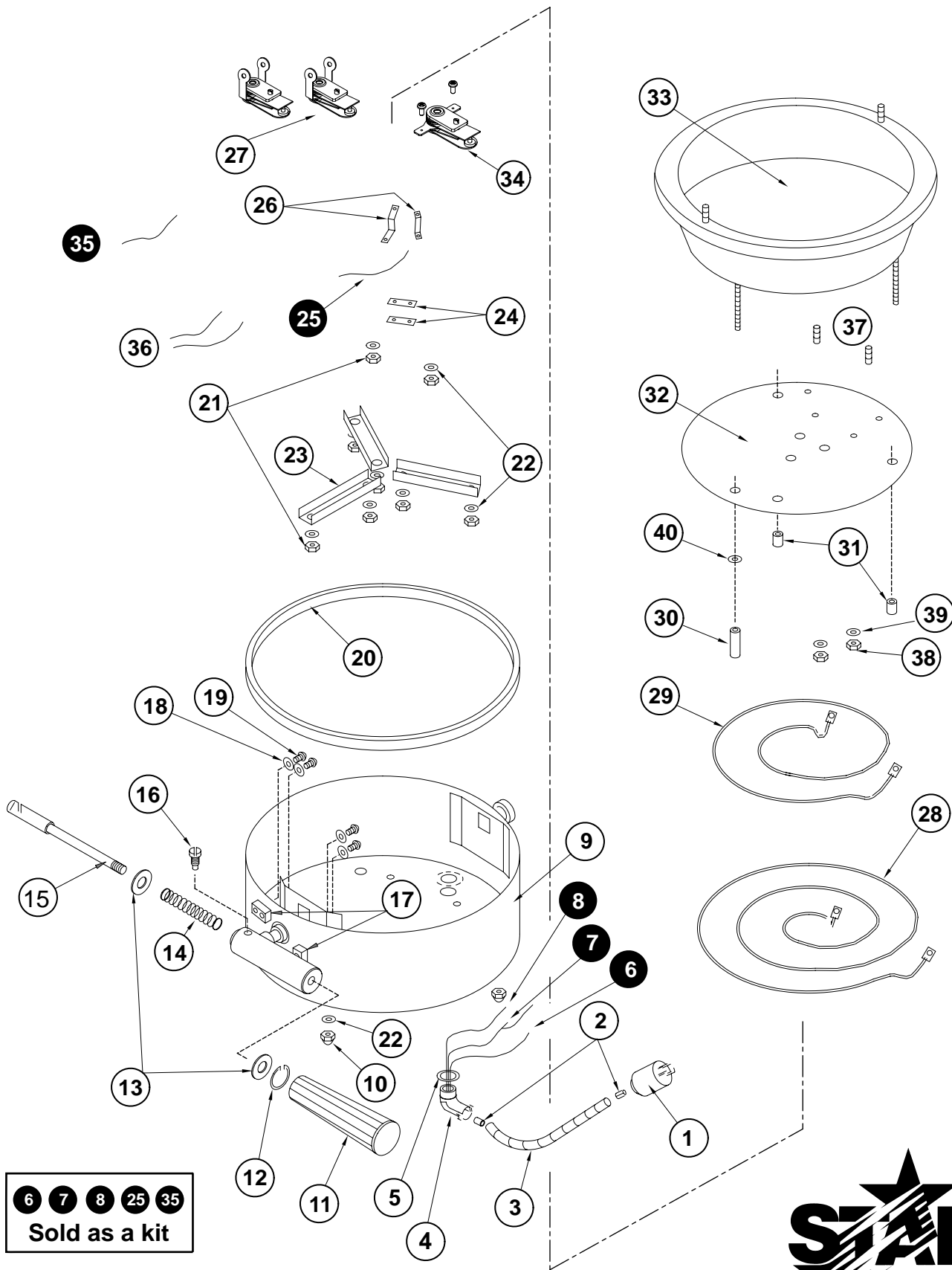
MODEL G8 EIGHT OUNCE KETTLE 120V/240V/230CE

Key Number	Part Number	Number Per Unit	Description
-	C3-G8098	1	KETTLE ASSEMBLY COMPLETE 120V
-	C3-G8095	1	KETTLE ASSEMBLY COMPLETE 230CE/240V
1	2P-8354	1	CAP-TWIST LOCK 120V
	2P-Z0117	1	PLUG , STRAIGHT BLADE 230CE/240V
2	2K-3831	2	BUSHING
3	2E-Y8063	1	CONDUIT
4	2E-1177	1	CONNECTOR
5	2E-Y4967	1	WASHER
6	2E-Z10326	1	WIRE #11, WIRE KIT ASSEMBLY 120V
	2E-Z10459	2	WIRE #11, WIRE KIT ASSEMBLY 230CE/240V
7	2E-Z10326	1	WIRE #12, WIRE KIT ASSEMBLY 120V
8	2E-Z10326	1	WIRE # 18 (GND), WIRE KIT ASSEMBLY 120V
	C3-G8045	1	WIRE #18, (GND), WIRE KIT ASSEMBLY 230CE/240V
9	C3-G8030	1	SHELL ASSEMBLY, 8 OZ.
10	2C-2559	3	NUT-ACORN
11	2R-Y8892	1	HANDLE
12	2P-Y8092	1	RETAINING RING
13	2C-Y9767	2	WASHER
14	2P-Y8061	1	SPRING
15	2A-Y8891	1	ROD-CATCH
16	2A-Y8022	1	SET SCREW
17	2A-Y8051	2	STOPPER
18	2C-H8670	4	WASHER-LOCK
19	2C-1493	4	SCREW
20	C3-Y7886-1	1	CHANNEL-RUBBER
21	2C-2560	7	NUT
22	2C-1827	11	EXT. WASHER
23	C3-Y8043	3	CLAMP
24	C3-Y8042	1	THERMOSTAT CLAMP
25	C3-Z5624	1	LUG GB 120V
	2E-Z10326	1	WIRE #17, WIRE KIT ASSEMBLY 120V
	2E-Z10459	2	WIRE #17, WIRE KIT ASSEMBLY 230CE/240V
26	2T-6213	1	THERMOSTAT 120V (#G8008925 & BELOW)
	2T-Y7422	1	THERMOSTAT 120V (#G8008926 & ABOVE)
	2T-Y9453	1	THERMOSTAT 230CE/240V (#G8008961 & ABOVE)
27	2N-Y5592	1	ELEMENT HEATING 1420 WATT 120V
	2N-Y5593	1	ELEMENT HEATING 1420 WATT 230CE/240V
28	2A-Y8027	1	SPACER-LONG
29	2A-Y8028	2	SPACER
30	2F-Z0019	1	PLATE-KETTLE
31	C3-G8029-PS	1	KETTLE LINER ASSEMBLY, STUDS
32	PS-G1499	1	HIGH LIMIT THERMOSTAT REPLACEMENT KIT 120V
	2T-Z10182	1	HIGH LIMIT THERMOSTAT, manufactured after Aug. 2007 120V/230CE/240V
33	2C-Z0006	1	SCREW
34	2C-2556	1	NUT
35	2C-1825	1	LOCKWASHER
NI	C3-Z5637	3/4	SLEEVING 4.5", WIRE 120V/240V

**IMPORTANT: WHEN ORDERING, SPECIFY VOLTAGE OR TYPE GAS DESIRED
INCLUDE MODEL AND SERIAL NUMBER**

PAGE 1
OF 1

Some items are included for illustrative purposes only and in certain instances may not be available.



6
7
8
25
35
 Sold as a kit

MODEL G12
 12 OZ. 120/240V/230CE



STAR MANUFACTURING INTERNATIONAL, INC.

SK1183

Rev. D

3/27/07

PARTS LIST

November 1, 2007 Rev. M

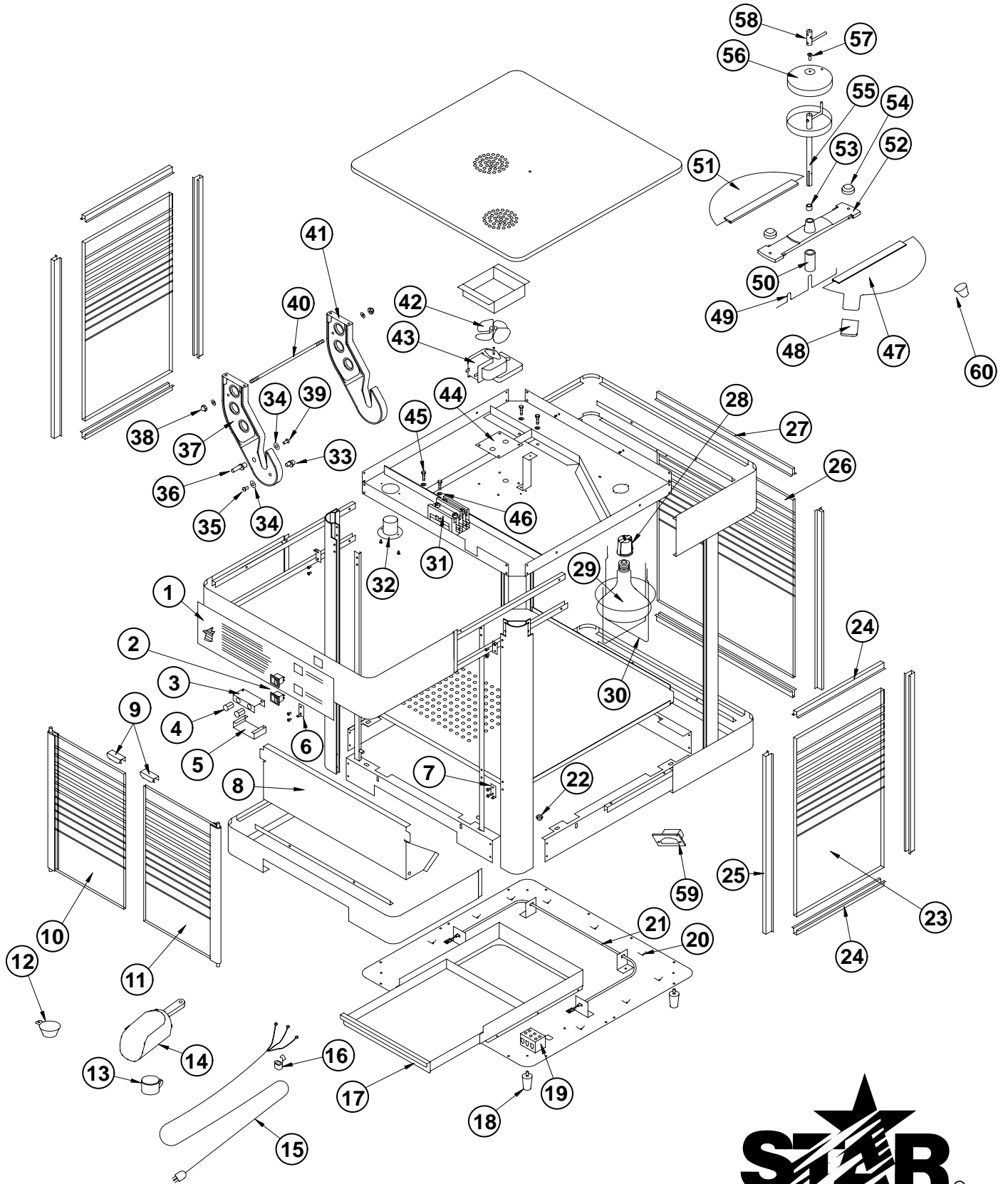
MODEL G12 TWELVE OUNCE KETTLE 120V/240V/230CE

Key Number	Part Number	Number Per Unit	Description	
-	C3-G1201	1	KETTLE ASSEMBLY COMPLETE	120V
-	C3-G8096	1	KETTLE ASSEMBLY COMPLETE	230CE/240V
1	2P-8354	1	CAP-TWIST LOCK	120V
	2P-Z0017	1	PLUG, STRAIGHT BLADE	230CE/240V
2	2K-3831	2	BUSHING	
3	C3-Y8063	1	CONDUIT	
4	2E-1177	1	CONNECTOR	
5	2E-Y4967	1	WASHER	
6	2E-Z10326	1	WIRE # 11, WIRE KIT ASSEMBLY	120V
	2E-Z10460	1	WIRE # 11, WIRE KIT ASSEMBLY	230CE/240V
7	2E-Z10326	1	WIRE #12, WIRE KIT ASSEMBLY	120V
	2E-Z10460	1	WIRE #12, WIRE KIT ASSEMBLY	230CE/240V
8	2E-Z10326	1	WIRE (GND), WIRE KIT ASSEMBLY	120V
	2E-Z10460	1	WIRE (GND), WIRE KIT ASSEMBLY	230CE/240V
9	C3-G8030	1	SHELL ASSEMBLY, 8 OZ.	
10	2C-2559	3	NUT-ACORN	
11	2R-Y8892	1	HANDLE	
12	2P-Y8092	1	RETAINING RING	
13	2C-Y9767	2	WASHER	
14	2P-Y8061	1	SPRING	
15	2A-Y8891	1	ROD-CATCH	
16	2A-Y8022	1	SET SCREW	
17	2A-Y8051	2	STOPPER	
18	2C-H8670	4	WASHER	
19	2C-1493	4	SCREW	
20	C3-Y7886-1	1	CHANNEL RUBBER	
21	2C-2560	8	NUT	
22	2C-1827	10	EXT. WASHER	
23	C3-Y8043	3	CLAMP	
24	C3-8690	2	JUMPER-SHORT 120V	
25	2E-Z10326	1	WIRE #17, WIRE KIT ASSEMBLY	120V
	2E-Z10460	1	WIRE #17, WIRE KIT ASSEMBLY	230CE/240V
26	C3-Z5627	1	JUMPER 120V	
	C3-Z5625	1	LUG G12-120V	
27	2T-6213	2	THERMOSTAT 120V (#G1205193 & BELOW)	
	2T-Y7422	2	THERMOSTAT 120V (#G1205194 & ABOVE)	
	2T-Y9453	2	THERMOSTAT 230CE/240V (#G1205218 & ABOVE)	
28	2N-Y5592	1	ELEMENT HEATING 1420 WATT	120V
	2N-Y5593	1	ELEMENT HEATING 1420 WATT	240V/230CE
29	2N-Y5594	1	ELEMENT HEATING 300 WATT	120V
	2N-Y5595	1	ELEMENT HEATING 300 WATT	240V/230CE
30	2A-Y8027	1	SPACER-LONG	
31	2A-Y8028	2	SPACER	
32	2F-Z0019	1	PLATE-KETTLE	
33	C3-G8029-PS	1	KETTLE LINER ASSEMBLY, STUDS	
34	PS-G1499	1	HIGH LIMIT THERMOSTAT REPL. KIT	120V
	2T-Z10182	1	HIGH LIMIT THERMOSTAT, manufactured after Aug. 2007	120V/230CE/240V
35	2E-Z10326	1	WIRE #17, WIRE KIT ASSEMBLY	120V
36	2E-Z10460	1	WIRE #17, WIRE KIT ASSEMBLY	230CE/240V
37	2C-Z0006	2	SCREW	
38	2C-2556	2	NUT	
39	2C-1825	2	LOCKWASHER	
40	2C-1811	2	WASHER 1/4"	
NI	C3-Z5637	4	SLEEVEING 4.5", WIRE	120V/240V

**IMPORTANT: WHEN ORDERING, SPECIFY VOLTAGE OR TYPE GAS DESIRED
INCLUDE MODEL AND SERIAL NUMBER**

PAGE 1
OF 1

Some items are included for illustrative purposes only and in certain instances may not be available.



SOME ITEMS ARE INCLUDED FOR ILLUSTRATIVE PURPOSES ONLY AND IN CERTAIN INSTANCES MAY NOT BE AVAILABLE

MODEL - G14/G18
14 / 18 oz. 120/240V/230CE

STAR MANUFACTURING INTERNATIONAL, INC.

SK1181

REV. C

1/24/06

PARTS LIST

November 1, 2007 Rev. M

MODEL G14/G18 120V/240V/230CE

Key Number	Part Number	Number Per Unit	Description
-	2E-Y8802	1	RECEPTACLE - WALL 120V
-	2M-Y8601	1	LABEL STRIPE YELLOW/BLUE
-	2M-Y8352	1	LABEL STRIPE BLACK
1	2M-Z9300	1	LABEL-PANEL
2	2E-Z9310	2	SWITCH manufacture after serial number G1404363 G14
	2E-Z9310	3	SWITCH manufacture before serial number G1404363 G14
	2E-Z9310	2	SWITCH manufacture after serial number G1801677 G18
	2E-Z9310	3	SWITCH manufacture before serial number G1801677 G18
3	C3-Y7952	1	BRACKET CATCH
4	2R-Y7844	2	CATCH MAGNETIC
5	C3-Y7953	1	COVER BRACKET
6	C3-Y7377	2	BRACKET HINGE-LEFT
7	C3-Y7446	2	BRACKET HINGE-RIGHT
8	C3-Y8188	1	LOWER DOOR
9	C3-Y7475	2	DOOR PULL ASSEMBLY
10	C3-G1476	1	LEFT DOOR ASSEMBLY
11	C3-G1475	1	RIGHT DOOR ASSEMBLY
12	2L-Y8863	1	CUP-OIL MEASURE 2 CUP (PLASTIC)
13	2L-Y8812	1	2 CUP MEASURE (PLASTIC)
14	2L-Y4916	1	SCOOP-POPCORN (PLASTIC)
15	C3-G1435	1	CORD SET ASSEMBLY 120V
	C3-G8022	1	CORD SET ASSEMBLY 240V
	2E-Z0151	1	CORD SET ASSEMBLY 230CE
16	2K-Y2968	1	BUSHING-STRAIN RELIEF 120V/240V
17	C3-Y8428	1	CORN DRAWER
18	2A-6904	4	FOOT
NI	2P-Y3404	1	PLUG
NI	2C-1557	4	SCREW 10 X 24-1 1/2 STL RHP
19	2E-Y2849	1	BLOCK TERMINAL
20	2P-6475	9	CLIP-TY
21	2N-Y8727	1	ELEMENT 80 WATT 120V
	2N-Y8430	1	ELEMENT 80 WATT 240V/230CE
22	2K-Y1139	1	BUSHING HEYCO
23	2Q-Y7831	2	GLASS - SIDE
24	2I-Y7838	4	CHANNEL GLASS (SIDE - TOP & BOTTOM)
25	2I-Y7840	6	CHANNEL GLASS (UPRIGHT)
26	2Q-Y8605	1	GLASS-FRONT
27	2I-Y7839	2	CHANNEL GLASS (FRONT - TOP & BOTTOM)
28	2E-Y8212	1	LAMP SOCKET
	2E-Y9433	1	SOCKET LAMP 230CE
29	2S-Y2238	1	LAMP - 250 WATT 120V
	2S-Y8346	1	LAMP - 250 WATT 240V
	2S-Y8712	1	LAMP -150 WATT 230CE
30	2B-Y7829	1	LAMP SHIELD
31	2E-Y8380	1	CONTACTOR 120V
	2E-Y8381	1	CONTACTOR 240V - N/A ON 230CE VERSION
32	2E-Y8286	1	OUTLET LOCKING 120V
	2E-Z0089	1	OUTLET, STRAIGHT BLADE 230CE/240V
33	2A-Y8645	1	PIN STOPPER - SHORT
34	2C-1811	2	BURR
35	2C-Y8646	1	SCREW
36	2A-Y8032	1	PIN STOPPER
37	2F-Y8757	1	HANGER REAR

**IMPORTANT: WHEN ORDERING, SPECIFY VOLTAGE OR TYPE GAS DESIRED
INCLUDE MODEL AND SERIAL NUMBER**

PAGE 1
OF 2

Some items are included for illustrative purposes only and in certain instances may not be available.



PARTS LIST

November 1, 2007 Rev. M

MODEL G14/G18 120V/240V/230CE

Key Number	Part Number	Number Per Unit	Description
38	2C-2581	2	NUT
39	2C-Y8147	1	SCREW
40	2A-Y8271	1	ROD SPACER
41	2F-Y8757	1	HANGER FRONT
42	2R-Y4810	1	FAN
43	2U-Y8213	1	MOTOR
	2U-Y8214	1	MOTOR
44	2I-Y6709	1	CUSHION - MOTOR
45	2C-9398	4	SCREW
46	2C-1823	6	WASHER
47	C3-G1487	1	LID ASSEMBLY - LEFT
48	2R-Y8379	1	TAB COVER
49	2B-Y8125	1	BLADE AGITATOR
50	2A-Y8026	1	COLLAR - AGITATOR
51	C3-G1488	1	LID ASSEMBLY - RIGHT
52	2F-Z6502	1	CROSS BAR
53	2P-1021	1	BEARING BRZ.
54	2A-Y7928	2	KNOB
55	C3-G1418	1	SHAFT ASSEMBLY
	2C-T1008	1	GROOVE PIN
56	2D-Y8044	1	SPINNER TOP
57	2C-Y8146	1	SCREW
58	2A-G1414	1	SHAFT-MOTOR ASSEMBLY
59	2E-Y9253	1	INLET
60	2R-Y6763	1	KNOB

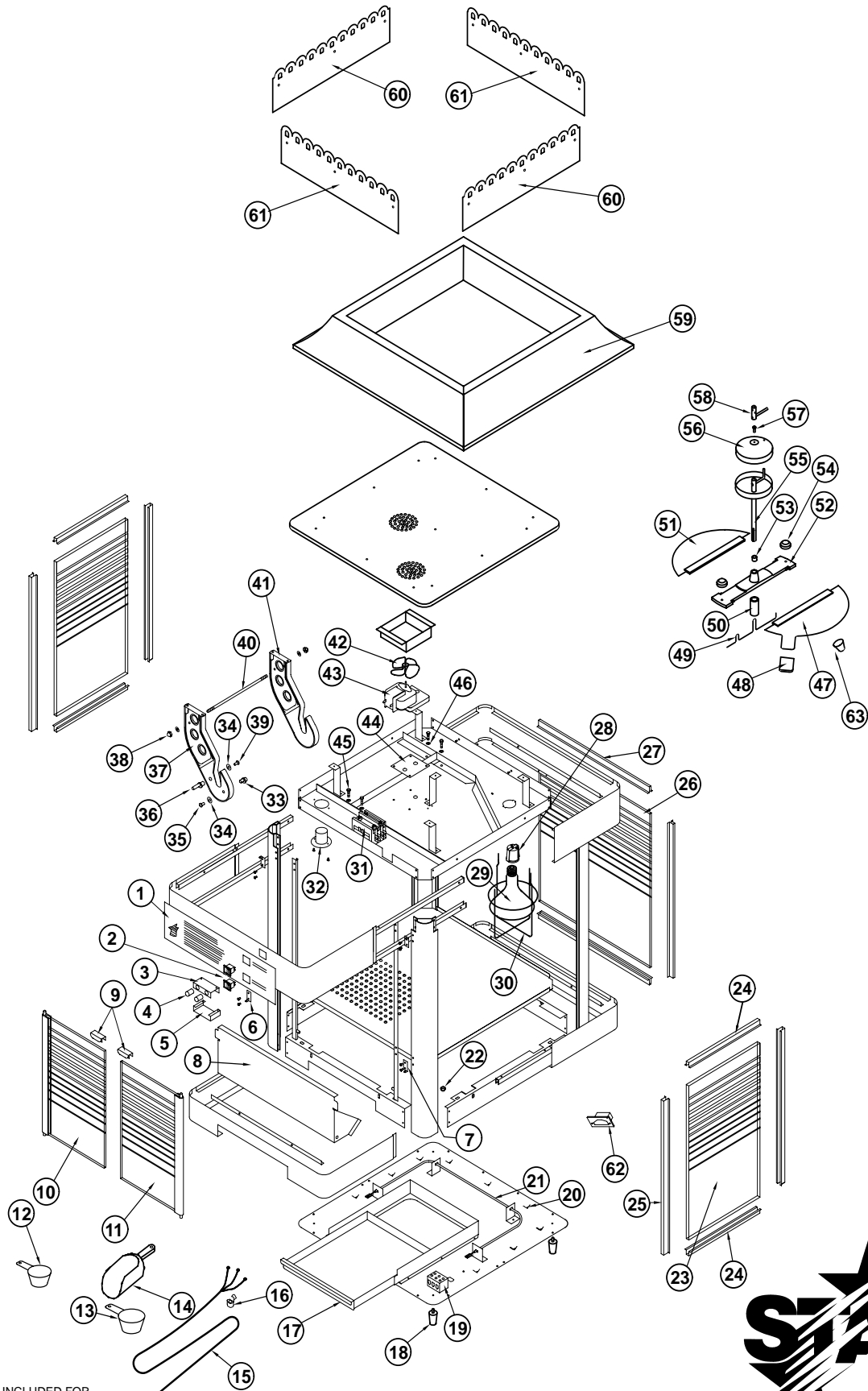
120V
240V/230CE

230CE ONLY
230CE

**IMPORTANT: WHEN ORDERING, SPECIFY VOLTAGE OR TYPE GAS DESIRED
INCLUDE MODEL AND SERIAL NUMBER**

PAGE 2
OF 2

Some items are included for illustrative purposes only and in certain instances may not be available.



SOME ITEMS ARE INCLUDED FOR ILLUSTRATIVE PURPOSES ONLY AND IN CERTAIN INSTANCES MAY NOT BE AVAILABLE

MODEL - G14AT/G18AT,
14 / 18 oz. 120/240V/230CE

STAR MANUFACTURING INTERNATIONAL, INC.
 SK1186 REV. D 1/24/06

PARTS LIST

November 1, 2007 Rev. M

MODEL G14AT/G18AT 120V/240V/230CE

Key Number	Part Number	Number Per Unit	Description and Model Designation
-	2E-Y8802	1	RECEPTACLE - WALL 120V G14
1	2M-Z9301	1	LABEL-PANEL-RED
2	2E-Z9310	2	SWITCH manufacture after serial number G1404363 G14
	2E-Z9310	3	SWITCH manufacture before serial number G1404363 G14
	2E-Z9310	2	SWITCH manufacture after serial number G1801677 G18
	2E-Z9310	3	SWITCH manufacture before serial number G1801677 G18
3	C3-Y7952	1	BRACKET CATCH
4	2R-Y7844	2	CATCH MAGNETIC
5	C3-Y7953	1	COVER BRACKET
6	C3-Y7377	2	BRACKET HINGE-LEFT
7	C3-Y7446	2	BRACKET HINGE-RIGHT
8	C3-Y8188	1	LOWER DOOR
9	C3-Y7475	2	DOOR PULL ASSEMBLY (INC. IN DOOR ASSY.)
10	C3-G1478	1	LEFT DOOR ASSEMBLY
11	C3-G1477	1	RIGHT DOOR ASSEMBLY
12	2L-Y8863	1	CUP-OIL MEASURE 2 CUP (PLASTIC)
13	2L-Y8812	1	2 CUP MEASURE (PLASTIC)
14	2L-Y4916	1	SCOOP-POPCORN (PLASTIC)
15	C3-G1435	1	CORD SET ASSEMBLY 120V G14
	C3-G8022	1/1	CORD SET ASSEMBLY 240V G14 / G18
	2E-Z0151	1	CORD SET ASSEMBLY 230CE
16	2K-Y2968	1	BUSHING - STRAIN RELIEF - N/A ON 240VE VERSION
17	C3-Y8428	1	CORN DRAWER
18	2A-6904	4	FOOT
NI	2P-Y3404	1	PLUG
NI	2C-1557	4	SCREW 10 X 24-1 1/2 STL RHP
19	2E-Y2849	1	BLOCK TERMINAL
20	2P-6475	9	CLIP-TY
21	2N-Y8727	1	ELEMENT 80 WATT 120V
	2N-Y8430	1	ELEMENT 80 WATT 240V/230CE
22	2K-Y1139	1	BUSHING - HEYCO
23	2Q-Y8512	2	GLASS - SIDE
24	2I-Y7838	4	CHANNEL GLASS (SIDE - TOP & BOTTOM)
25	2I-Y7840	6	CHANNEL GLASS (UPRIGHT)
26	2Q-Y8511	1	GLASS - FRONT
27	2I-Y7839	2	CHANNEL GLASS (FRONT - TOP & BOTTOM)
28	2E-Y8212	1	LAMP SOCKET
	2E-Y9433	1	LAMP SOCKET 230CE
29	2S-Y2238	1	LAMP - 250WATT 120V
	2S-Y8346	1	LAMP - 250WATT 240V
	2S-Y8712	1	LAMP -150 WATT 230CE
30	2B-Y7829	1	LAMP-SHIELD
31	2E-Y8380	1	CONTACTOR 120V
	2E-Y8381	1	CONTACTOR 240V - N/A ON 230CE VERSION
32	2E-Y8286	1	OUTLET LOCKING 20A 120V
	2E-Z0089	1	OUTLET, STRAIGHT BLADE 230CE/240V
33	2A-Y8645	1	PIN STOPPER - SHORT
34	2C-1811	2	BURR
35	2C-Y8646	1	SCREW
36	2A-Y8032	1	PIN STOPPER
37	2F-Y8757	1	HANGER-REAR
38	2C-2581	2	NUT

**IMPORTANT: WHEN ORDERING, SPECIFY VOLTAGE OR TYPE GAS DESIRED
INCLUDE MODEL AND SERIAL NUMBER**

PAGE 1
OF 2

Some items are included for illustrative purposes only and in certain instances may not be available.



PARTS LIST

November 1, 2007 Rev. M

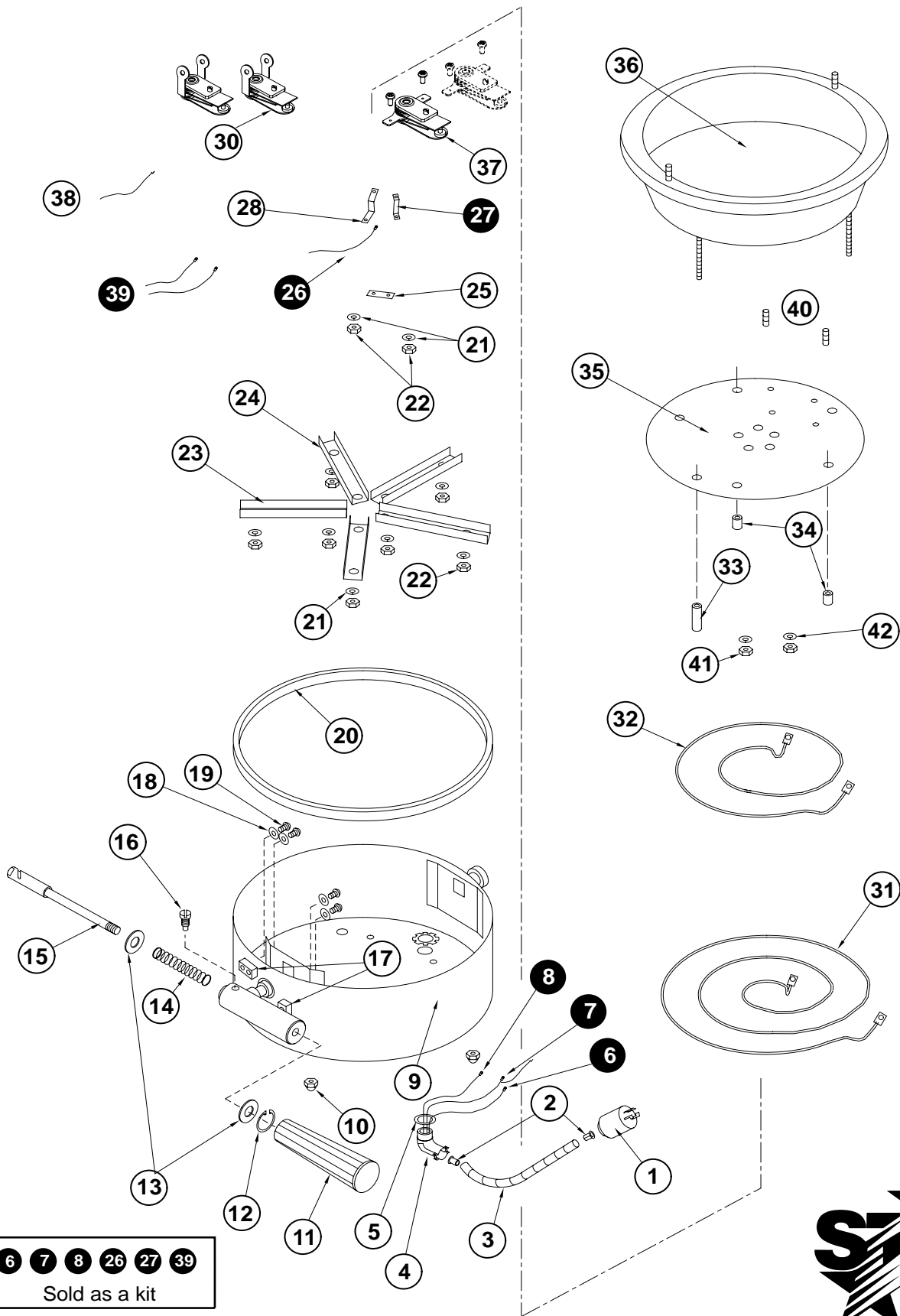
MODEL G14AT/G18AT 120V/240V/230CE

Key Number	Part Number	Number Per Unit	Description
39	2C-Y8147	1	SCREW
40	2A-Y8271	1	ROD SPACER
41	2F-Y8757	1	HANGER - FRONT
42	2R-Y4810	1	FAN
43	2U-Y8213	1	MOTOR 120V
	2U-Y8214	1	MOTOR 240V/230CE
44	2I-Y6709	1	CUSHION - MOTOR
45	2C-9398	4	SCREW
46	2C-1823	6	WASHER
47	C3-G1487	1	LID ASSEMBLY - RIGHT
48	2R-Y8379	1	TAB-COVER
49	2B-Y8125	1	BLADE AGITATOR
50	2A-Y8026	1	COLLAR - AGITATOR
51	C3-G1488	1	LID ASSEMBLY - LEFT
52	C3-Z6502	1	CROSSBAR
53	2P-1021	2	BEARING - BRZ.
54	2A-Y7928	2	KNOB
55	C3-G1418	1	SHAFT - ASSEMBLY
56	2D-Y8044	1	SPINNER TOP
57	2C-Y8146	1	SCREW
58	2A-G1414	1	SHAFT - MOTOR ASSEMBLY
59	2L-Y8762	1	ANTIQUE TOP
60	C3-Y8490	2	TRIM TOP - SHORT
61	C3-Y8489	2	TRIM TOP - LONG
62	2E-Y9253	1	INLET 230CE
63	2R-Y6763	1	KNOB

**IMPORTANT: WHEN ORDERING, SPECIFY VOLTAGE OR TYPE GAS DESIRED
INCLUDE MODEL AND SERIAL NUMBER**

PAGE 2
OF 2

Some items are included for illustrative purposes only and in certain instances may not be available.



MODEL G14 / G18
14 / 18 OZ. 120/240V/230CE

STAR MANUFACTURING INTERNATIONAL, INC.
 SK1184 Rev. C 3/27/07

PARTS LIST

November 1, 2007 Rev. M

MODEL G14/G18 - 14/18 OUNCE KETTLE 120V/240V/230CE

Key Number	Part Number	Number Per Unit	Description and Model Designation
-	C3-G1497	1	KETTLE ASSEMBLY COMPLETE 120V G14
-	C3-G1495	1	KETTLE ASSEMBLY COMPLETE 230CE/240V G14
-	C3-G1494	1	KETTLE ASSEMBLY COMPLETE 230CE/240V G18
1	2P-Y8285	1	PLUG 20A 125V 120V
	2P-Z0017	1	PLUG, STRAIGHT BLADE 230CE/240V
2	2K-3831	2	BUSHING
3	2E-Y8405	1	CONDUIT
4	2E-1177	1	CONNECTOR
5	2E-Y4967	1	WASHER
6	2E-Z10326	1	WIRE (GND) WIRE ASSEMBLY KIT 120V
	2E-Z10461	1	WIRE (GND) WIRE ASSEMBLY KIT 230CE/240V
7	2E-Z10326	1	WIRE #15, WIRE ASSEMBLY KIT 120V
	2E-Z10461	1	WIRE #15, WIRE ASSEMBLY KIT 230CE/240V
8	2E-Z10326	1	WIRE #16, WIRE ASSEMBLY KIT 120V
	2E-Z10461	1	WIRE #16, WIRE ASSEMBLY KIT 230CE/240V
9	C3-G1417	1	SHELL ASSEMBLY
10	2C-2559	3	NUT-ACORN
11	2R-Y8892	1	HANDLE
12	2P-Y8092	1	RETAINING RING
13	2C-Y9767	2	WASHER
14	2P-Y8061	1	SPRING
15	2A-Y8891	1	ROD-CATCH
16	2A-Y8022	1	SET SCREW
17	2A-Y8051	2	STOPPER
18	2C-H8670	4	WASHER
19	2C-1493	4	SCREW
20	C3-Y7886-2	1	CHANNEL RUBBER
21	2C-1827	12	WASHER
22	2C-2560	12	NUT
23	C3-Y8133	3	CLAMP-ELEMENT
24	C3-Y8043	2	CLAMP
25	C3-Z5627	1	JUMPER 120V
	2E-Z10461	1	WIRE #15, WIRE ASSEMBLY KIT 230CE/240V
26	2E-Z10326	1	WIRE #19, WIRE ASSEMBLY KIT 120V
	2E-Z10326	1	WIRE #25, WIRE ASSEMBLY KIT 230V/240V
27	2E-Z10326	1	LUG-RIGHT, WIRE ASSEMBLY KIT 120V
	C3-Y8335	1	LUG-RIGHT 240V
28	C3-Z5626	1	LUG 120V G14
30	2T-6213	2	THERMOSTAT 120V (#G1403752, G1801299 & BELOW)
	2T-Y7422	2	THERMOSTAT 120V (#G1403753, G1801300 & ABOVE)
	2T-Y9453	2	THERMOSTAT 230CE/240V (#G1403748, G1801300 & ABOVE)
31	2N-8631	1	ELEMENT1600 WATT 120V G14
	2N-8633	1/1	ELEMENT 1600 WATT 230CE/240V G14 / G18
32	2N-8634	1	ELEMENT 800 WATT 230CE/240V G18
	2N-Y8283	1	ELEMENT 400 WATT 230CE/240V G14
	2N-Y8282	1	ELEMENT 400 WATT 120V G14
33	2A-Y8275	1	SPACER-LONG
34	2A-Y8276	2	SPACER
35	2F-Z0020	1	PLATE-KETTLE
36	C3-G1422-PS	1	KETTLE LINER ASSEMBLY
37	PS-G1499	1	G14 & G18, HIGH LIMIT REPLACEMENT KIT 120V/230CE
	2T-Z10182	2	HIGH LIMIT THERMOSTAT , manufactured after Aug. 2007 120V/230CE/240V
38	2E-Z10326	1	WIRE #24, WIRE KIT ASSEMBLY 120V/230CE/240V
39	2E-Z10326	2	WIRE #23, WIRE KIT ASSEMBLY 120V/230CE/240V
40	2C-Z0006	2	SCREW
41	2C-2556	2	NUT
42	2C-1825	2	LOCKWASHER

**IMPORTANT: WHEN ORDERING, SPECIFY VOLTAGE OR TYPE GAS DESIRED
INCLUDE MODEL AND SERIAL NUMBER**

PAGE 1
OF 1

Some items are included for illustrative purposes only and in certain instances may not be available.



STAR MANUFACTURING

10 Sunnen Drive, St. Louis, MO 63143 U.S.A.

(800) 807-9054 (314) 781-2777

Parts & Service (800) 807-9054

www.star-mfg.com